

## 14. Satellite Safing Sensor

### A: REMOVAL

- 1) Turn the ignition switch to OFF.
- 2) Disconnect the ground cable from battery and wait for at least 60 seconds before starting work.

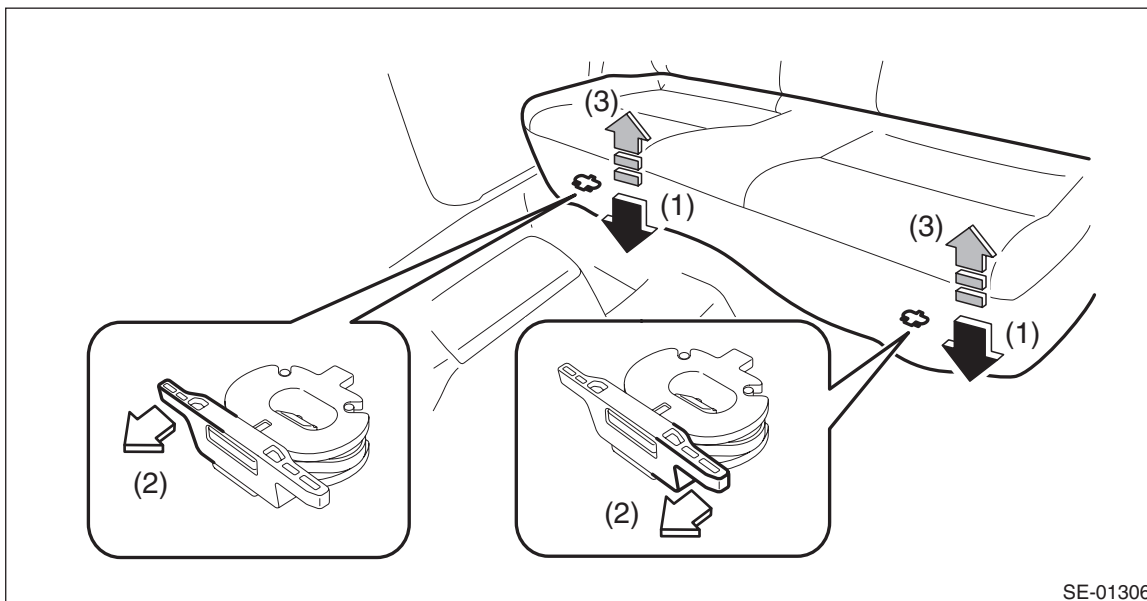
#### CAUTION:

**The airbag system is fitted with a backup power supply. After disconnecting the battery ground cable, the airbag may operate if you do not wait for 60 seconds before starting the service of airbag system.**

- 3) Remove the rear seat cushion assembly.
  - (1) Push the corners of the rear seat cushion from above.
  - (2) While pushing the corners of the rear seat cushion from above, pull the knob of the hook - seat cushion rear towards yourself.
  - (3) While pulling the knob towards yourself, disconnect the hooks by lifting up the rear seat cushion.

#### NOTE:

Pull the left side of the knob to disconnect the LH side hook, and pull the right side of the knob to disconnect the RH side hook.

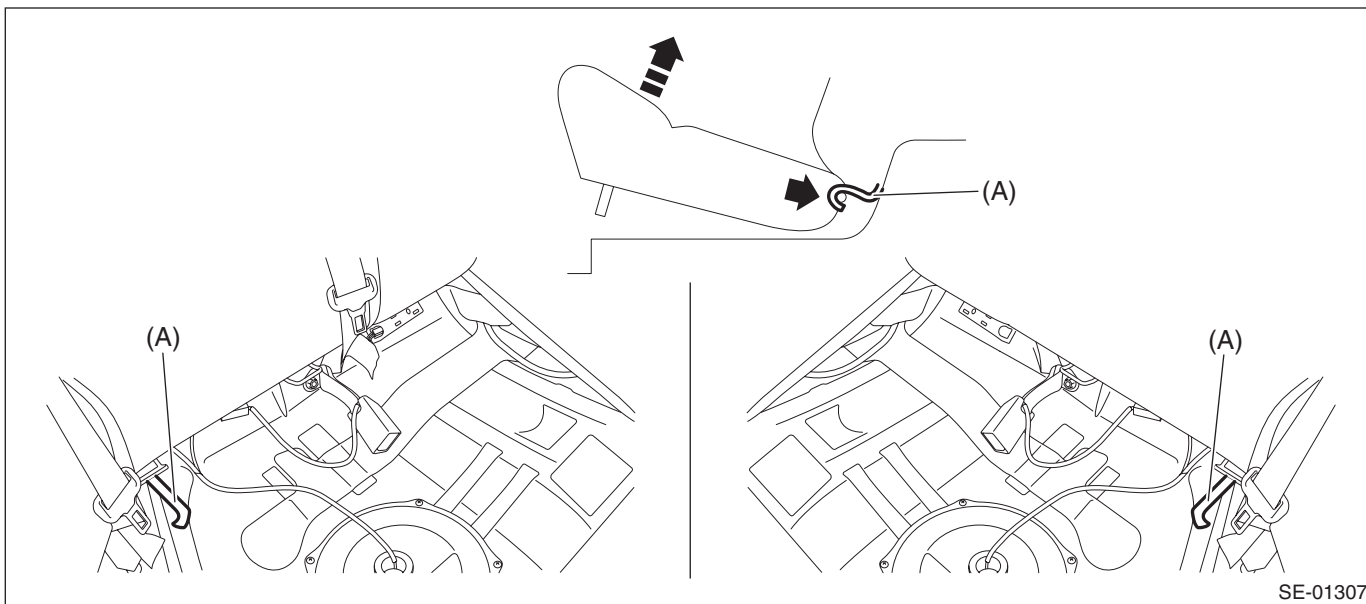


SE-01306

# Satellite Safing Sensor

## AIRBAG SYSTEM

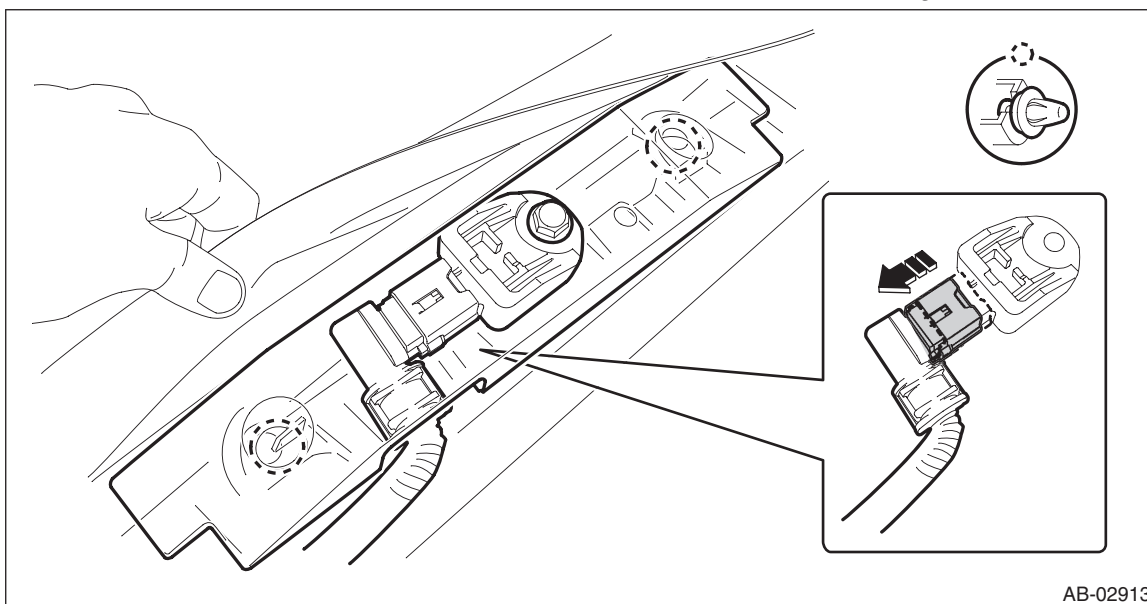
(4) Remove the hook (A) by pushing it back while lifting the front side of the rear seat cushion, and remove the rear seat cushion.



4) Remove the satellite safing sensor.

(1) Remove the clip, and remove the cover - satellite safing.

(2) Remove the bolts and then remove the satellite safing sensor. <Ref. to AB-27, FRONT DOOR IMPACT SENSOR AND SATELLITE SAFING SENSOR, PROCEDURE, Airbag Connector.>



## B: INSTALLATION

### CAUTION:

- Do not reuse the bolt and nut.

Always replace with the specified new bolts and nuts.

- When installing the cover - satellite safing, push the cover securely until it contacts the floor panel.
- If the cover - satellite safing is too loose at its mounting portion to remove easily, replace with a new cover - satellite safing.

• After installing the cover - satellite safing, make sure that the sensor harness does not get caught. Install each part in the reverse order of removal.

### Tightening torque:

7.5 N·m (0.76 kgf-m, 5.5 ft-lb)

## **C: INSPECTION**

Check for the following, and replace the damaged parts with new parts.

- The satellite safing sensor connector is damaged.
- The cover - satellite safing is damaged
- Side airbag or curtain airbag has been activated.