

# Airbag Warning Light Illumination Pattern

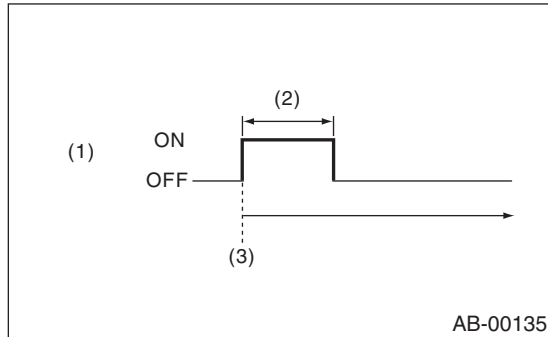
AIRBAG SYSTEM (DIAGNOSTICS)

---

## 13. Airbag Warning Light Illumination Pattern

### A: INSPECTION

Turn the ignition switch to ON, and confirm that the airbag warning light remains on for approx. 6 seconds then turns off afterwards.



- (1) Airbag warning light
- (2) Approx. 6 sec.
- (3) Ignition switch ON