

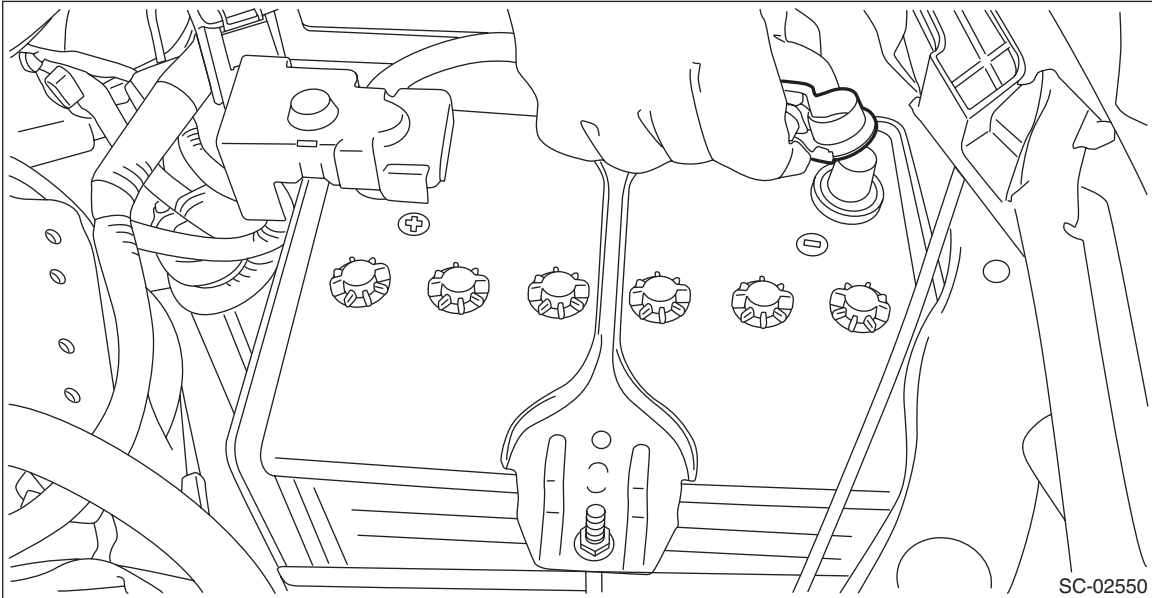
Fuel Injector

FUEL INJECTION (FUEL SYSTEMS)

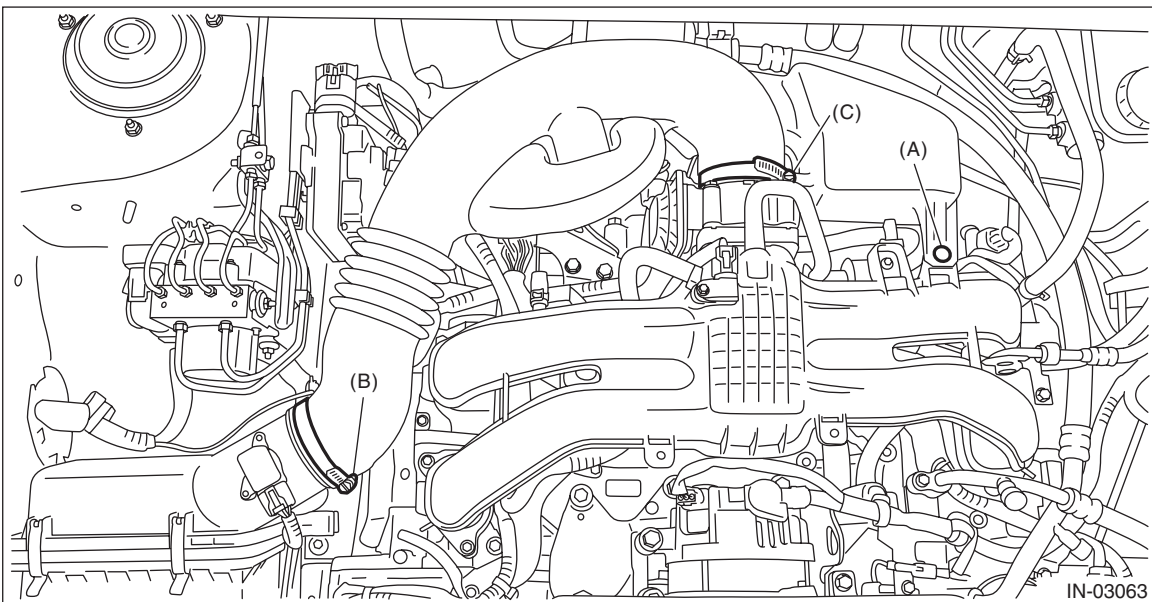
15. Fuel Injector

A: REMOVAL

- 1) Release the fuel pressure. <Ref. to FU(H4DO)-112, RELEASING OF FUEL PRESSURE, PROCEDURE, Fuel.>
- 2) Disconnect the ground cable from battery.



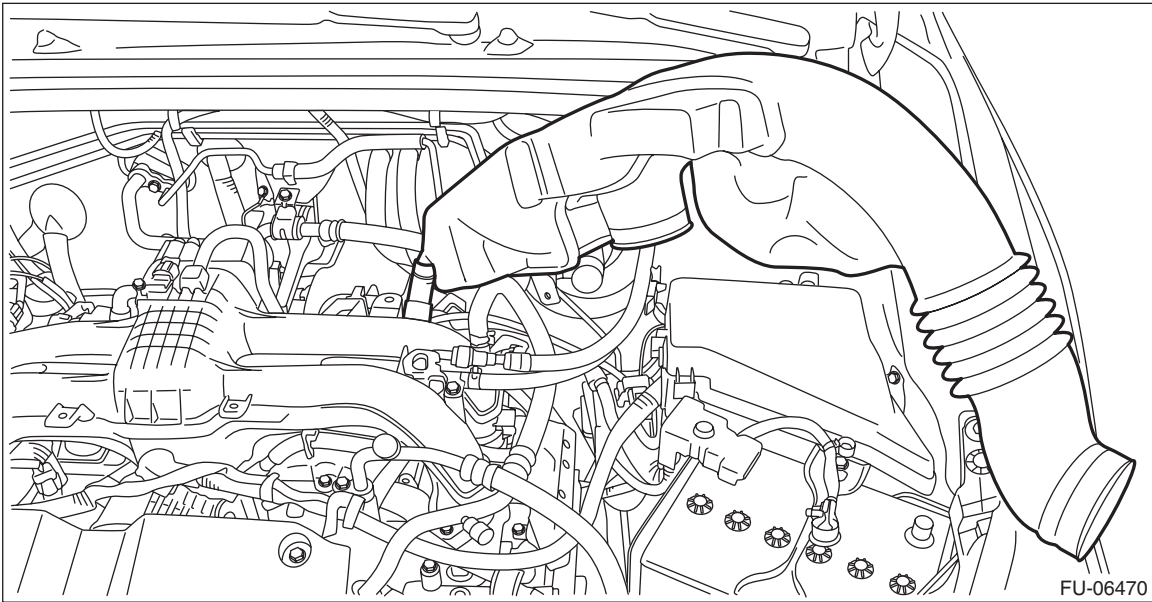
- 3) Open the fuel filler lid and remove the fuel filler cap.
- 4) Remove the clip (A) from the air intake boot. (RH side only)
- 5) Loosen the clamp (B) connecting the air intake boot and air cleaner case (rear). (RH side only)
- 6) Loosen the clamp (C) which connects the air intake boot and throttle body. (RH side only)



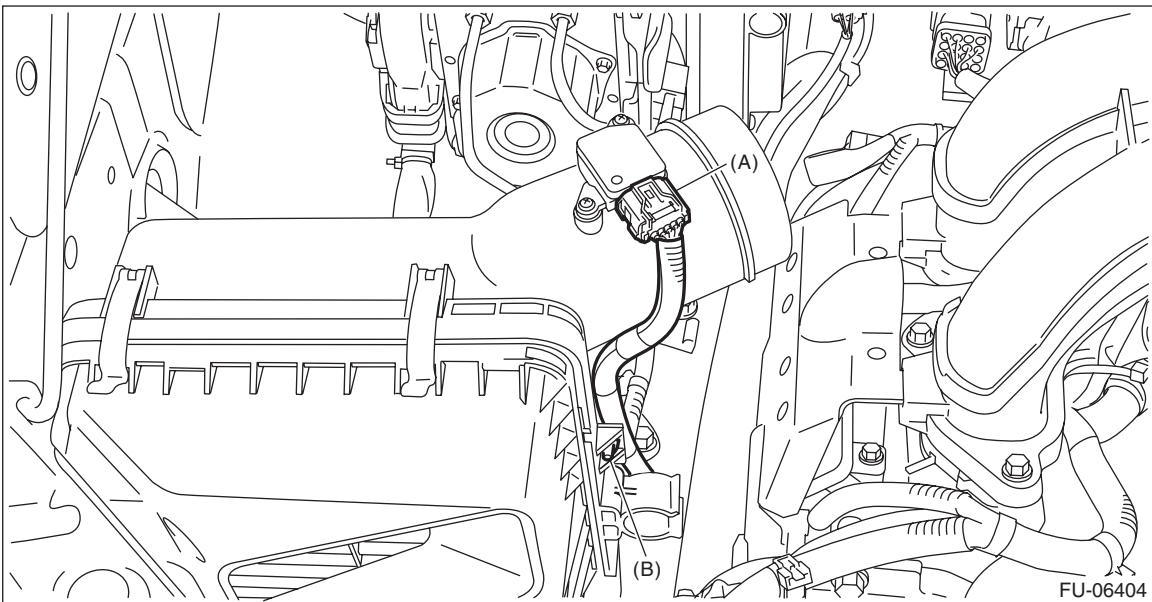
Fuel Injector

FUEL INJECTION (FUEL SYSTEMS)

7) Remove the air intake boot from the throttle body, and move the air intake boot to the left side wheel apron. (RH side only)



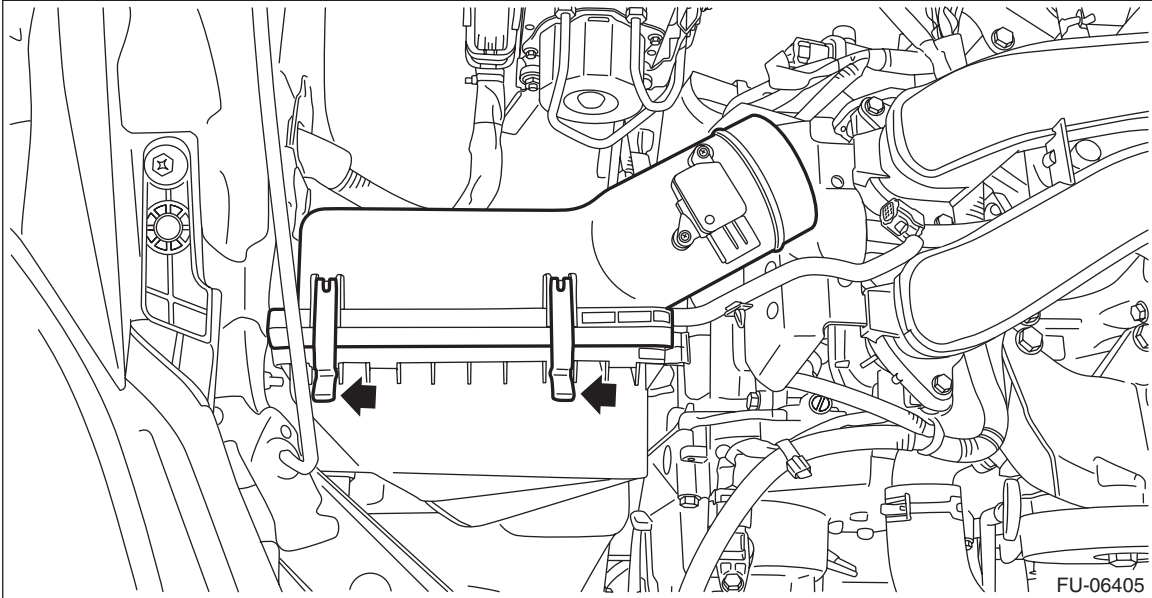
8) Disconnect the connector (A) from the mass air flow and intake air temperature sensor, and remove the clip (B) which holds the mass air flow and intake air temperature sensor harness. (RH side only)



Fuel Injector

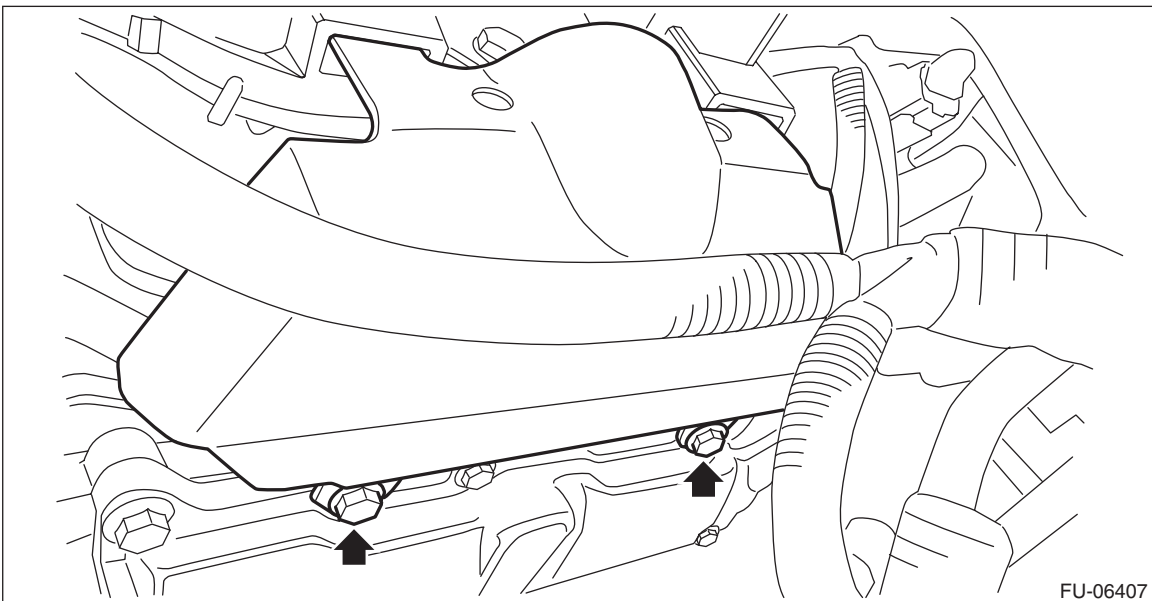
FUEL INJECTION (FUEL SYSTEMS)

9) Remove the air cleaner case (rear). (RH side only)



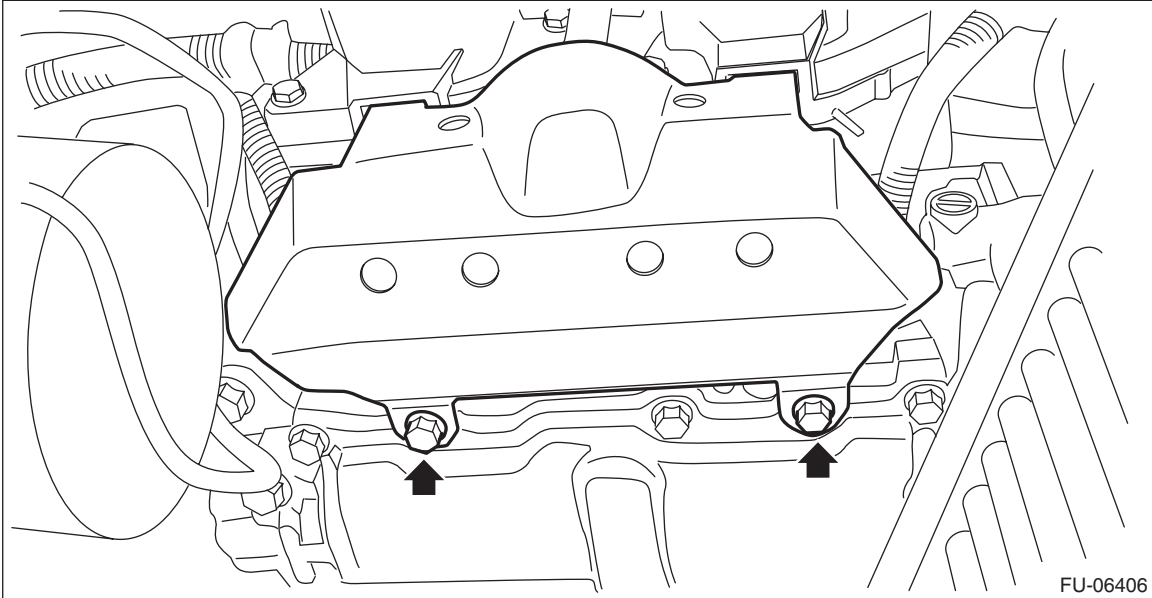
10) Remove the intake manifold protector.

- LH side

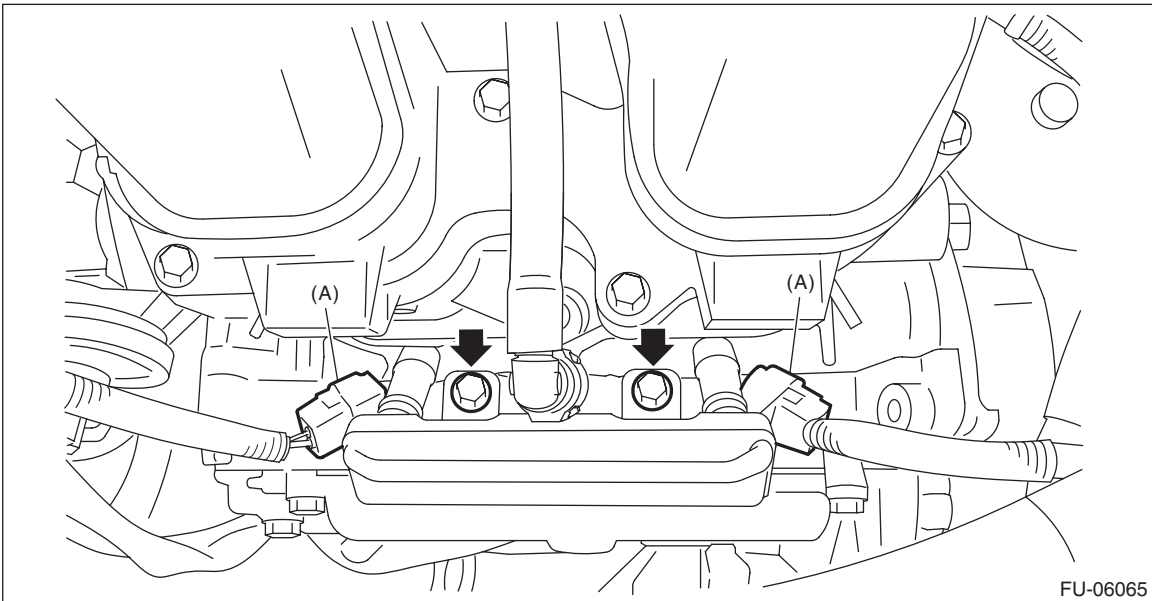


Fuel Injector

- RH side



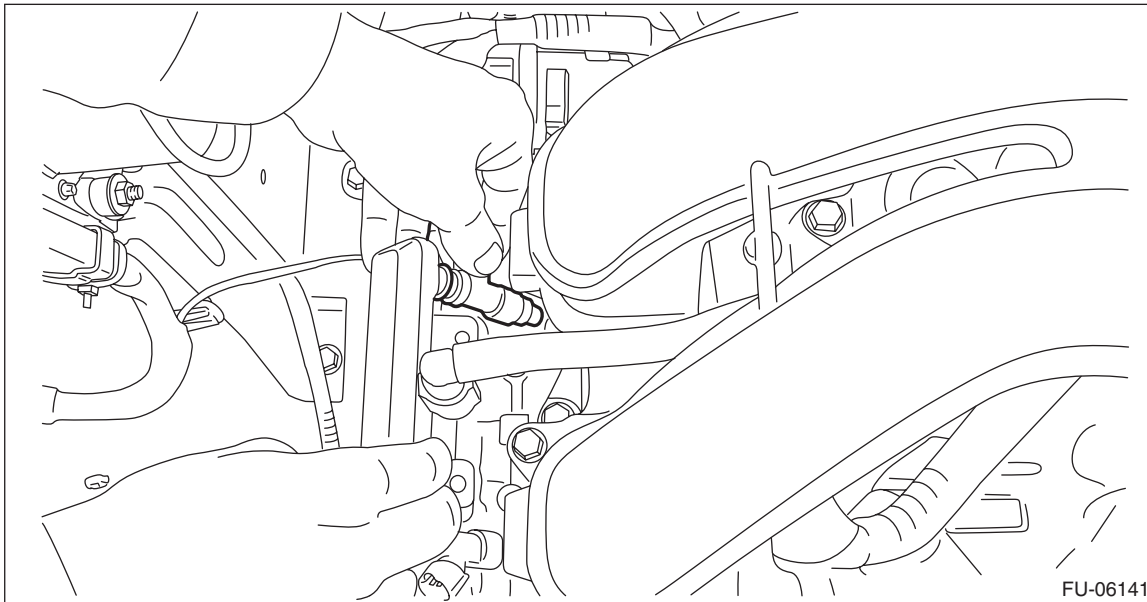
- 11) Disconnect the connectors (A) from fuel injector.
- 12) Remove the bolts which hold fuel pipe onto the cam carrier.



Fuel Injector

FUEL INJECTION (FUEL SYSTEMS)

13) Remove the fuel injector.



B: INSTALLATION

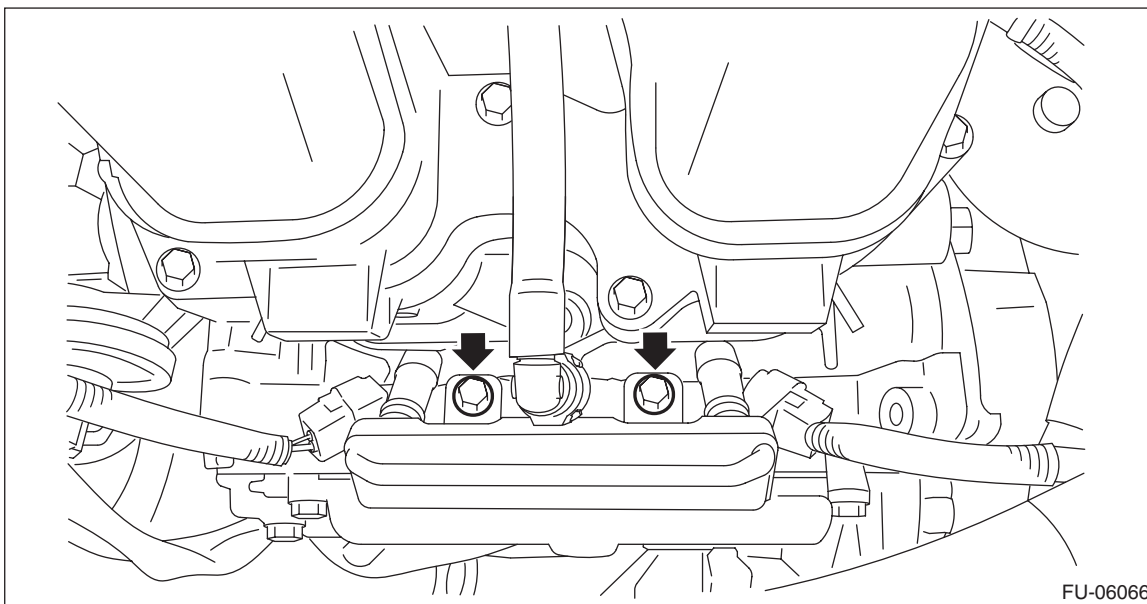
Install in the reverse order of removal.

NOTE:

Use new O-rings, rubbers and seal rings.

Tightening torque:

6.4 N·m (0.7 kgf-m, 4.7 ft-lb)

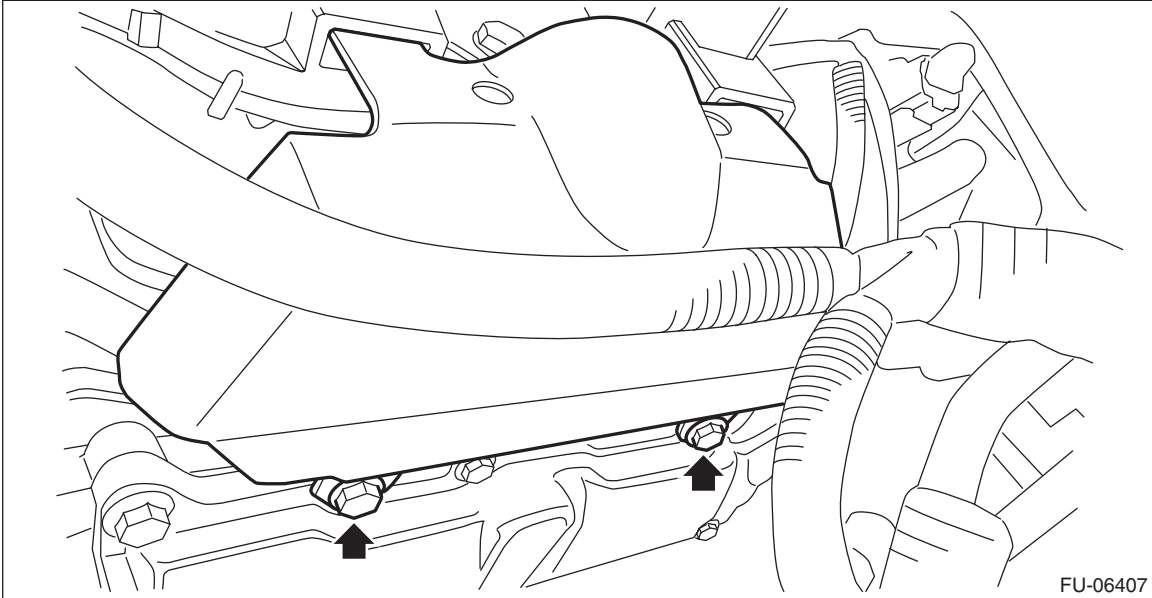


Tightening torque:

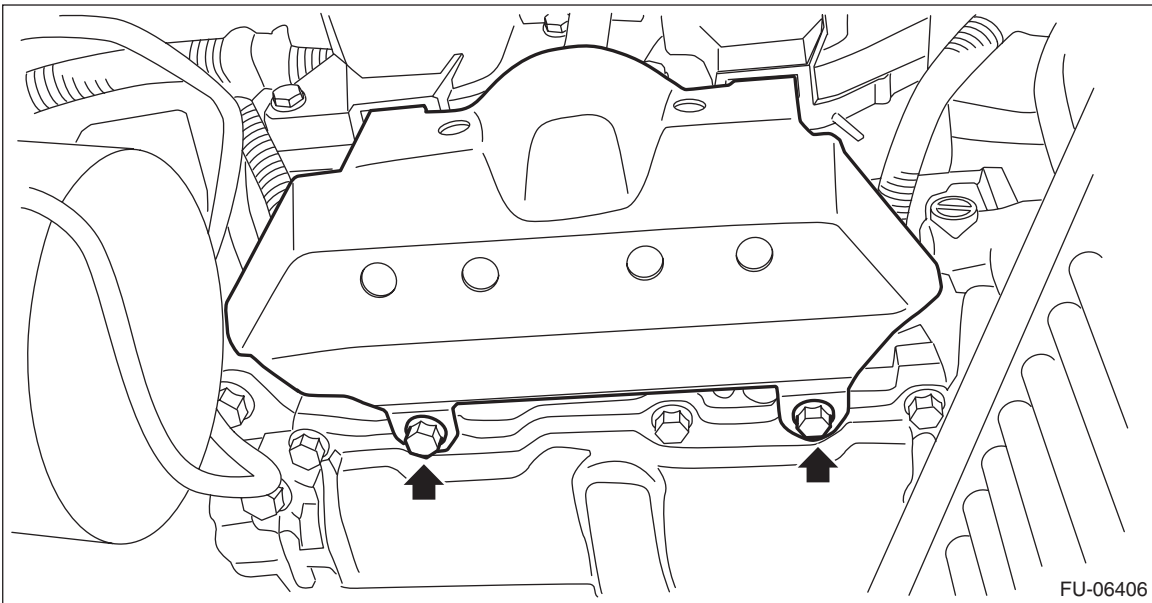
6.4 N·m (0.7 kgf-m, 4.7 ft-lb)

Fuel Injector

- LH side



- RH side

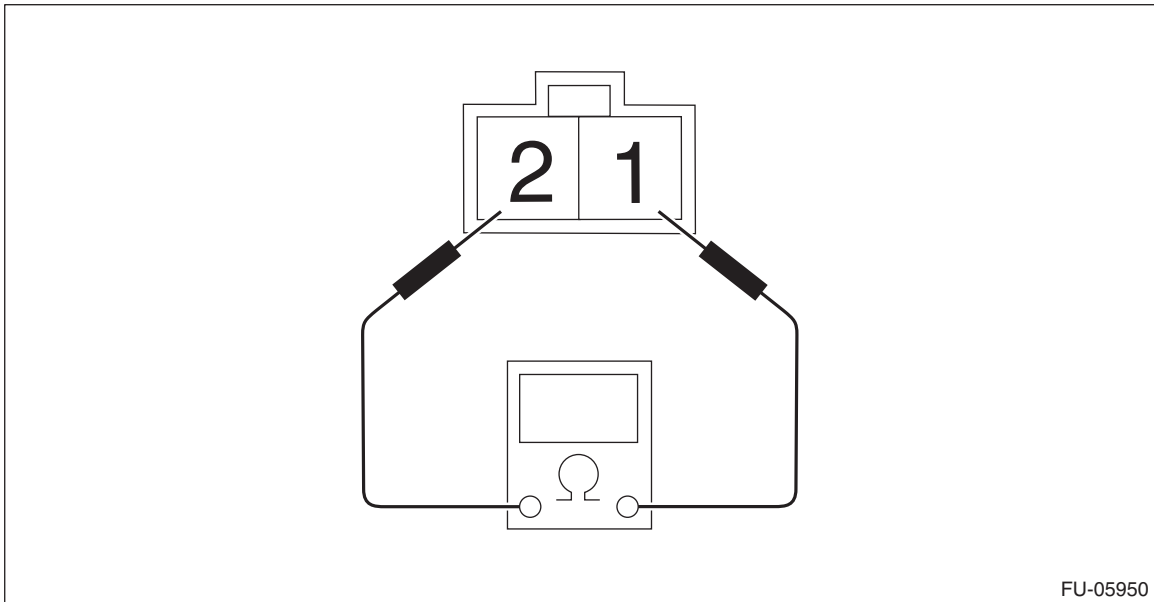


Fuel Injector

FUEL INJECTION (FUEL SYSTEMS)

C: INSPECTION

- 1) Check that the fuel injector has no deformation, cracks or other damages.
- 2) Measure the resistance between fuel injector terminals.



Terminal No.	Standard
1 and 2	Approx. 12.0 Ω (when 20°C (68°F))