

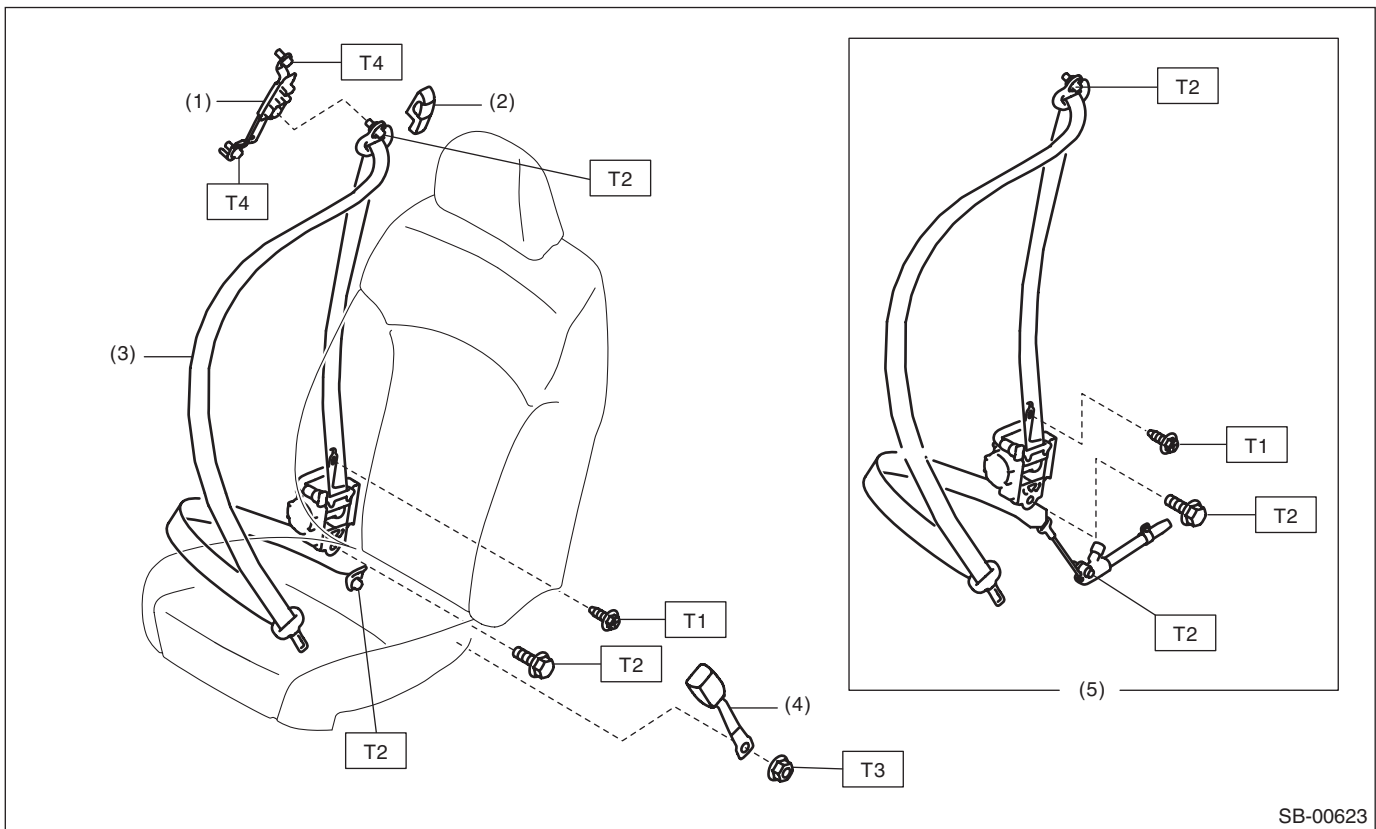
General Description

SEAT BELT SYSTEM

1. General Description

A: COMPONENT

1. FRONT SEAT BELT



(1) Adjuster assembly - seat belt

(2) Cover through

(3) Seat belt outer - front

(4) Seat belt inner - front

(5) Seat belt outer - front (Only on passenger's side for XV models with lap seat belt pretensioner)

Tightening torque: N-m (kgf-m, ft-lb)

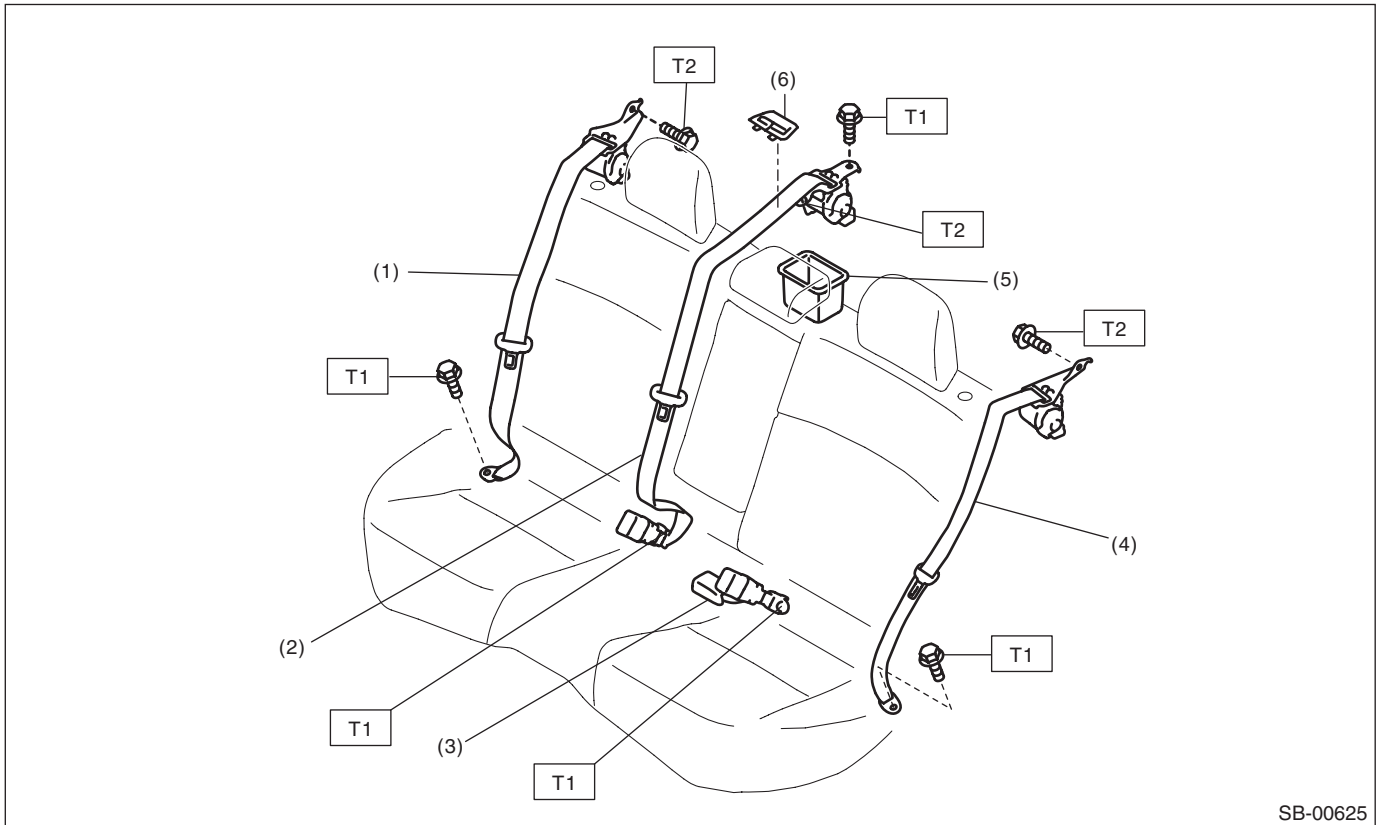
T1: 7.5 (0.76, 5.5)

T2: 30 (3.06, 22.1)

T3: 38 (3.87, 28.0)

T4: 53 (5.40, 39.1)

2. REAR SEAT BELT (4 DOOR MODEL)



- | | |
|-----------------------------------|-------------------------------|
| (1) Seat belt outer - rear RH | (4) Seat belt outer - rear LH |
| (2) Seat belt - rear shoulder CTR | (5) Cover - ELR |
| (3) Seat belt - CTR LH | (6) Cover - belt rear |

Tightening torque: N·m (kgf·m, ft·lb)

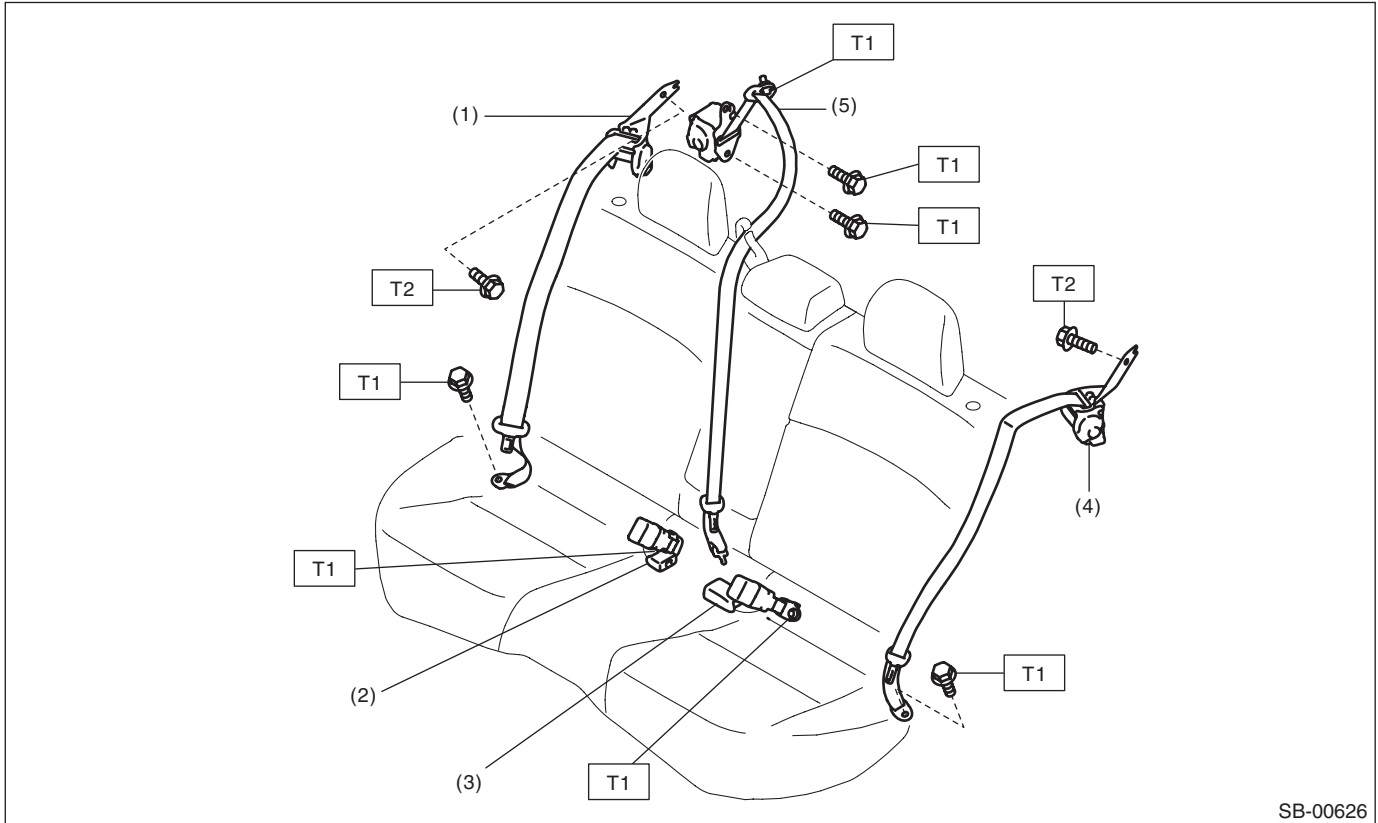
T1: 30 (3.06, 22.1)

T2: 53 (5.40, 39.1)

General Description

SEAT BELT SYSTEM

3. REAR SEAT BELT (5 DOOR MODEL/XV MODEL)



- | | |
|-------------------------------|-----------------------------------|
| (1) Seat belt outer - rear RH | (4) Seat belt outer - rear LH |
| (2) Seat belt - CTR RH | (5) Seat belt - rear shoulder CTR |
| (3) Seat belt - CTR LH | |

Tightening torque: N·m (kgf·m, ft·lb)

T1: 30 (3.06, 22.1)

T2: 53 (5.40, 39.1)

B: CAUTION

- Before starting the work, turn the ignition switch to OFF, disconnect the battery ground cable and wait for 60 seconds or more.
- The pretensioner system is fitted with a backup power supply. After disconnecting the battery ground cable, the pretensioner may operate if you do not wait for 60 seconds or more before starting pretensioner system servicing.
- Do not drop or apply any impact to the pretensioner.
- If oil, grease or water gets on the pretensioner, wipe it off immediately with a dry cloth.
- Do not expose the pretensioner to high temperature or flame.
- Do not allow current to flow through or voltage to reach the pretensioner. Do not use a circuit tester to check resistance of the pretensioner.
- Do not disassemble or attempt to repair the pretensioner. If it is dented, cracked or deformed, replace it with a new genuine part.
- Do not use the airbag or pretensioner parts from other vehicles. Always use a new genuine part for replacement.
- When handling a seat belt with deployed pretensioner, wear gloves and goggles. Wash your hands afterwards.
- Do not reuse a seat belt with deployed pretensioner.
- Before disposal, make sure to perform an operation process to the pretensioners.
- If material from the pretensioner enters the eyes or contacts skin during operation process, wash it away with clean water, and then consult a doctor.

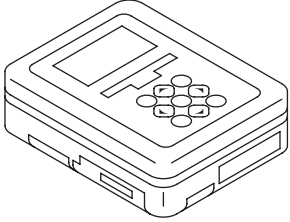
General Description

SEAT BELT SYSTEM

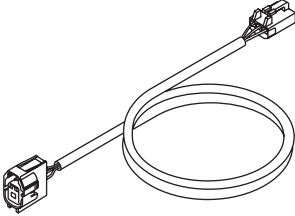
C: PREPARATION TOOL

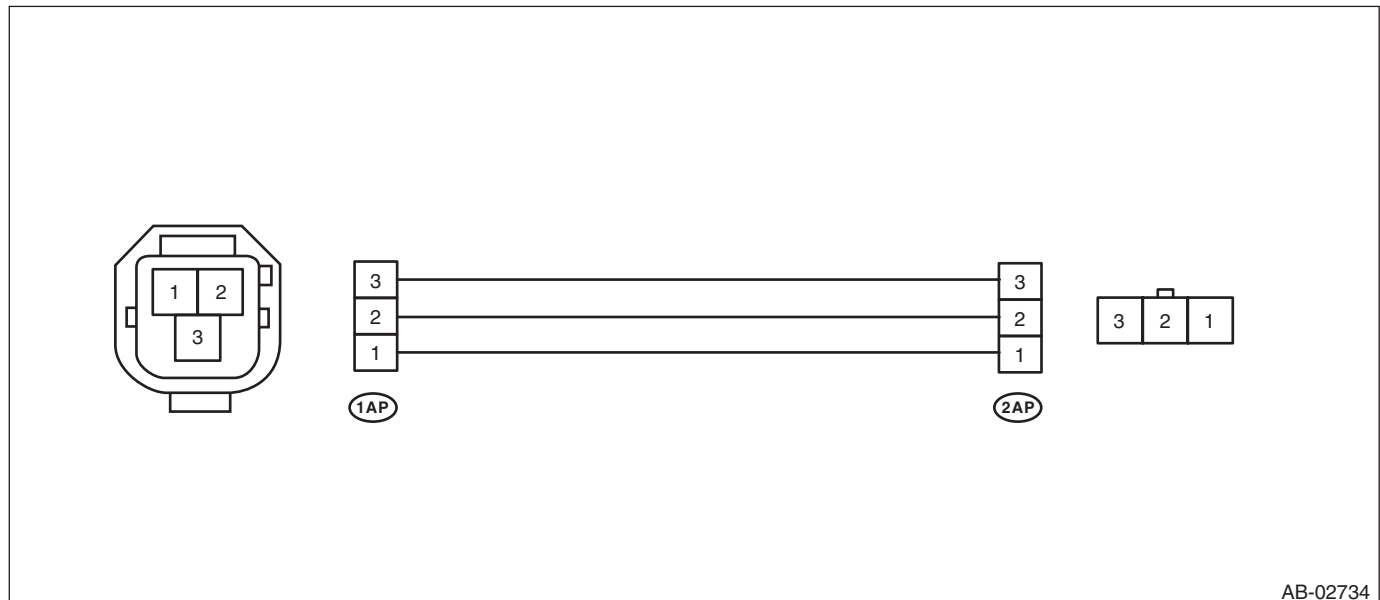
1. SPECIAL TOOL

- Subaru Select Monitor

ILLUSTRATION	TOOL NUMBER	DESCRIPTION	REMARKS
 <p>ST1B022XU0</p>	1B022XU0	SUBARU SELECT MONITOR III KIT	Used for setting of each function and troubleshooting for electrical system.

- TEST HARNESS AP

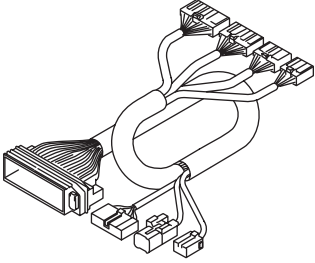
ILLUSTRATION	TOOL NUMBER	DESCRIPTION	REMARKS
 <p>ST98299FJ030</p>	98299FJ030	TEST HARNESS AP	Used when measuring voltage and resistance of occupant detection system.

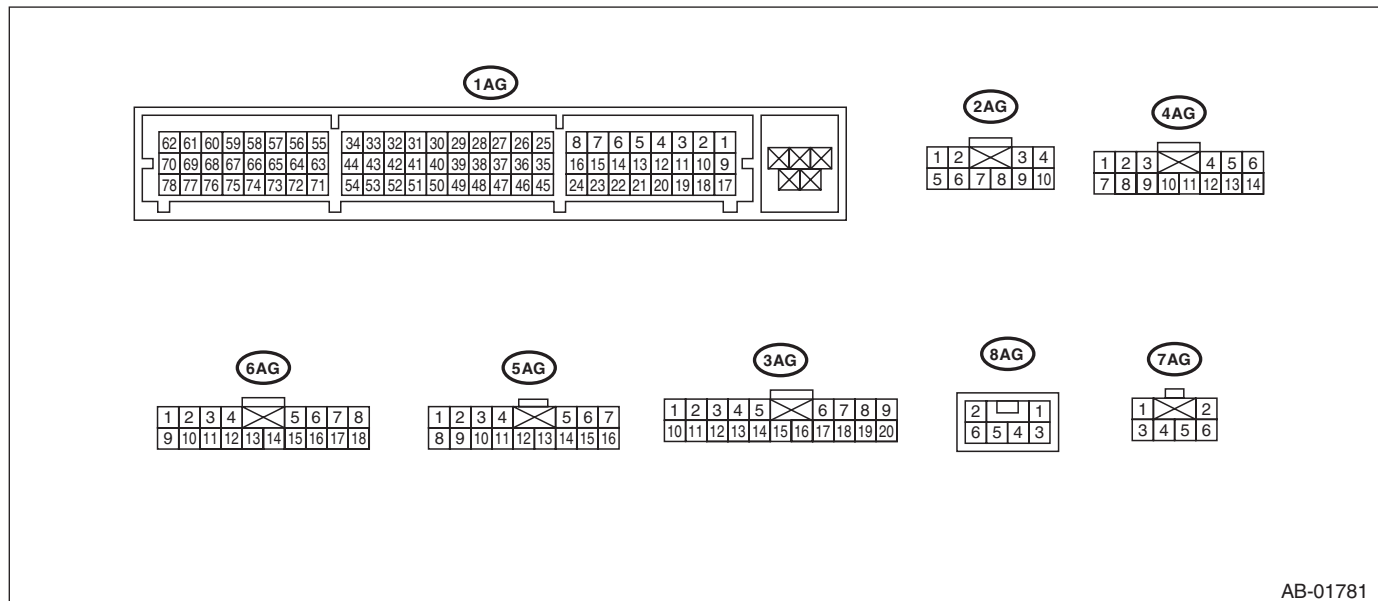


AB-02734

General Description

• TEST HARNESS AG

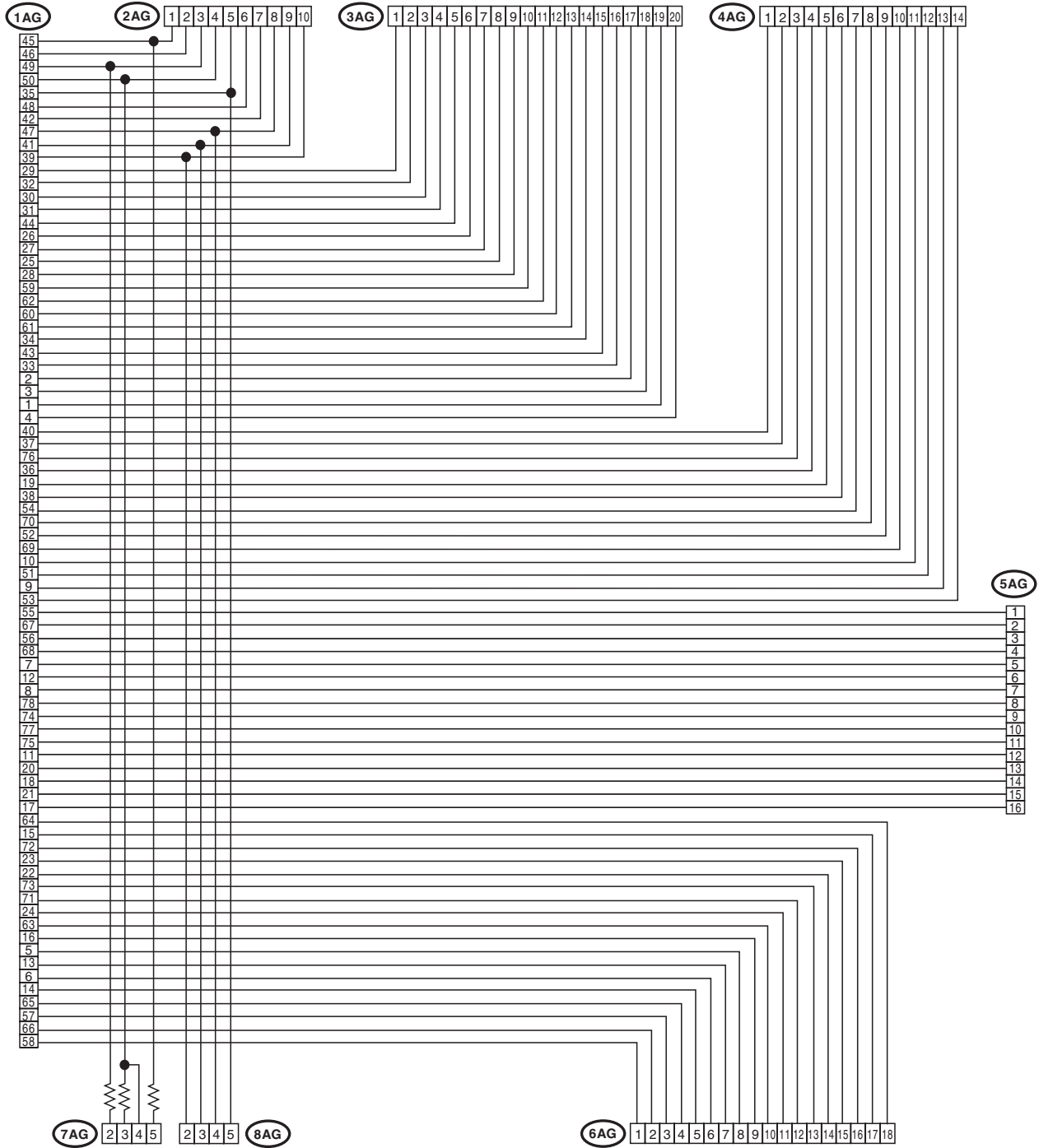
ILLUSTRATION	TOOL NUMBER	DESCRIPTION	REMARKS
 <p data-bbox="321 558 467 577">ST98299AG070</p>	98299AG070	TEST HARNESS AG	Used when measuring voltage and resistance of airbag control module.



AB-01781

General Description

SEAT BELT SYSTEM

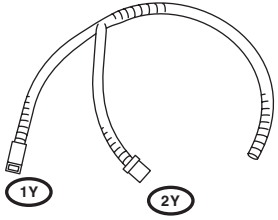


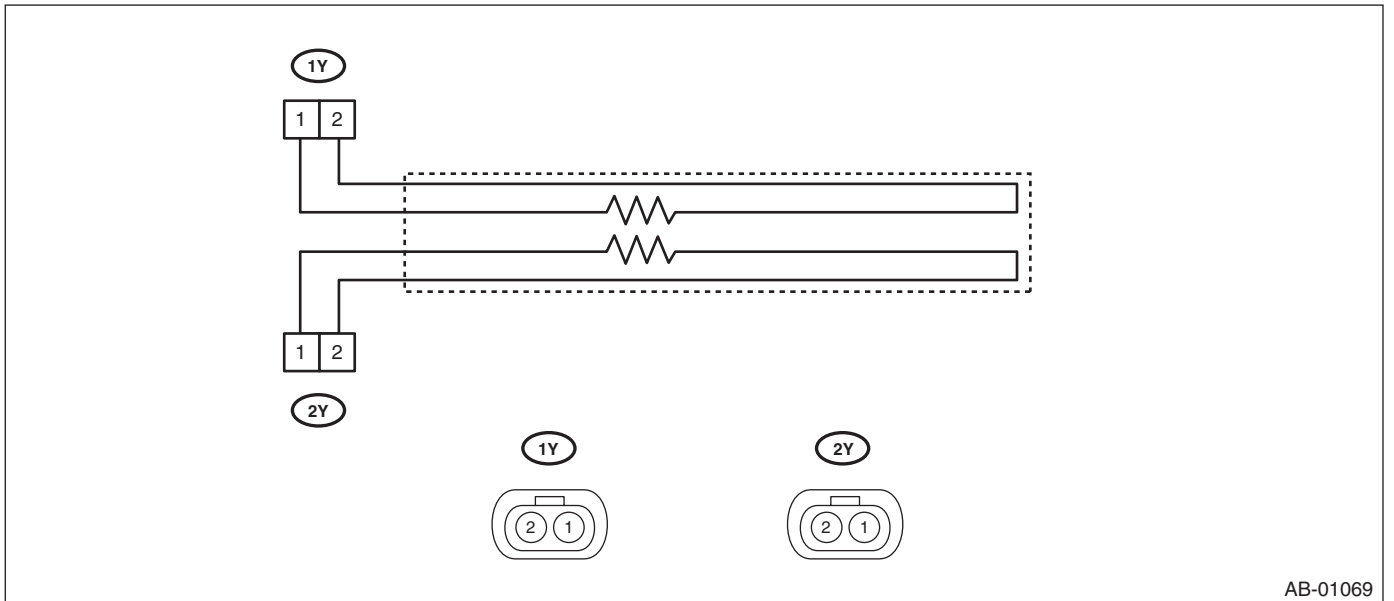
AB-01902

General Description

SEAT BELT SYSTEM

- TEST HARNESS Y

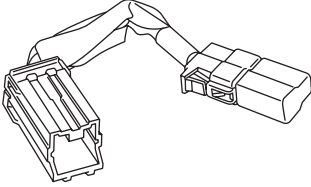
ILLUSTRATION	TOOL NUMBER	DESCRIPTION	REMARKS
 <p data-bbox="321 556 467 579">ST98299AG040</p>	98299AG040	TEST HARNESS Y	Used for troubleshooting seat belt buckle switch.

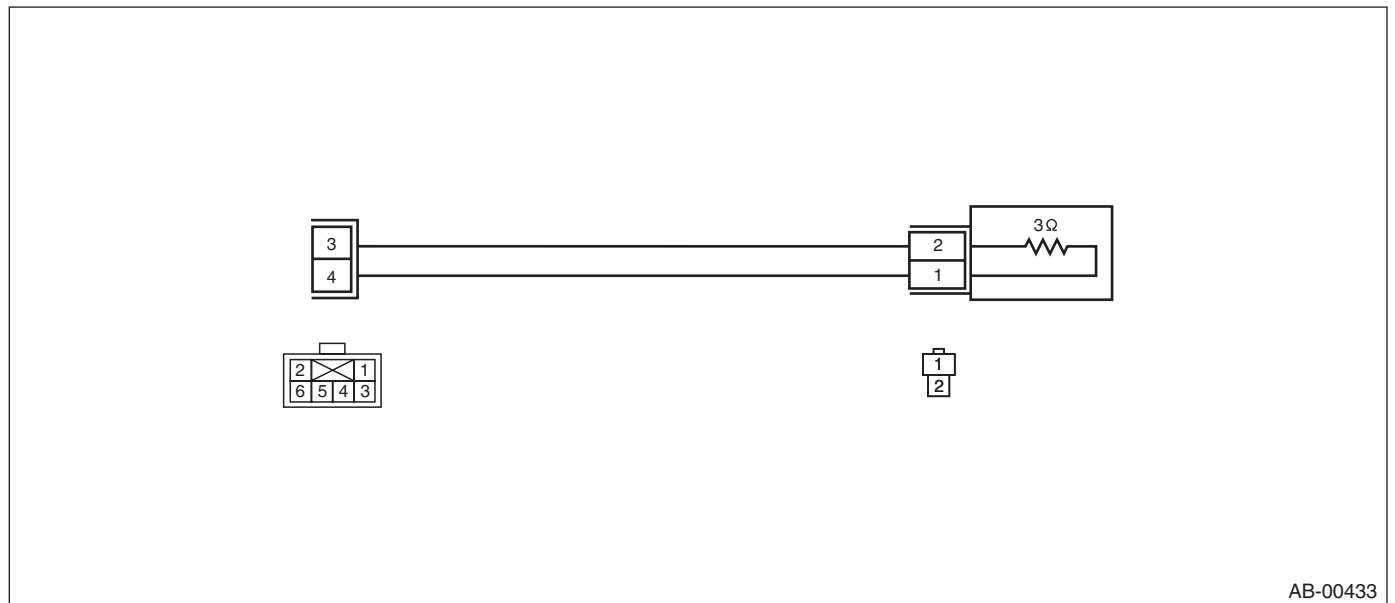


General Description

SEAT BELT SYSTEM

• AIRBAG RESISTOR

ILLUSTRATION	TOOL NUMBER	DESCRIPTION	REMARKS
 <p style="text-align: center;">ST98299PA040</p>	98299PA040	AIRBAG RESISTOR	Used in replacement of airbag module for which resistance value is same as airbag module.



2. GENERAL TOOL

TOOL NAME	REMARKS
Circuit tester	Used for measuring resistance and voltage.