

Front Seat Belt

SEAT BELT SYSTEM

5. Front Seat Belt

A: REMOVAL

1. SEAT BELT OUTER - FRONT

CAUTION:

- The airbag system is fitted with a backup power supply. After disconnecting the battery ground cable, the airbag may operate if you do not wait for 60 seconds before starting the service of airbag system.

- Do not drop or subject the pretensioner to any impact.

- Since the pretensioner and bracket are integrated as a unit, do not disassemble them.

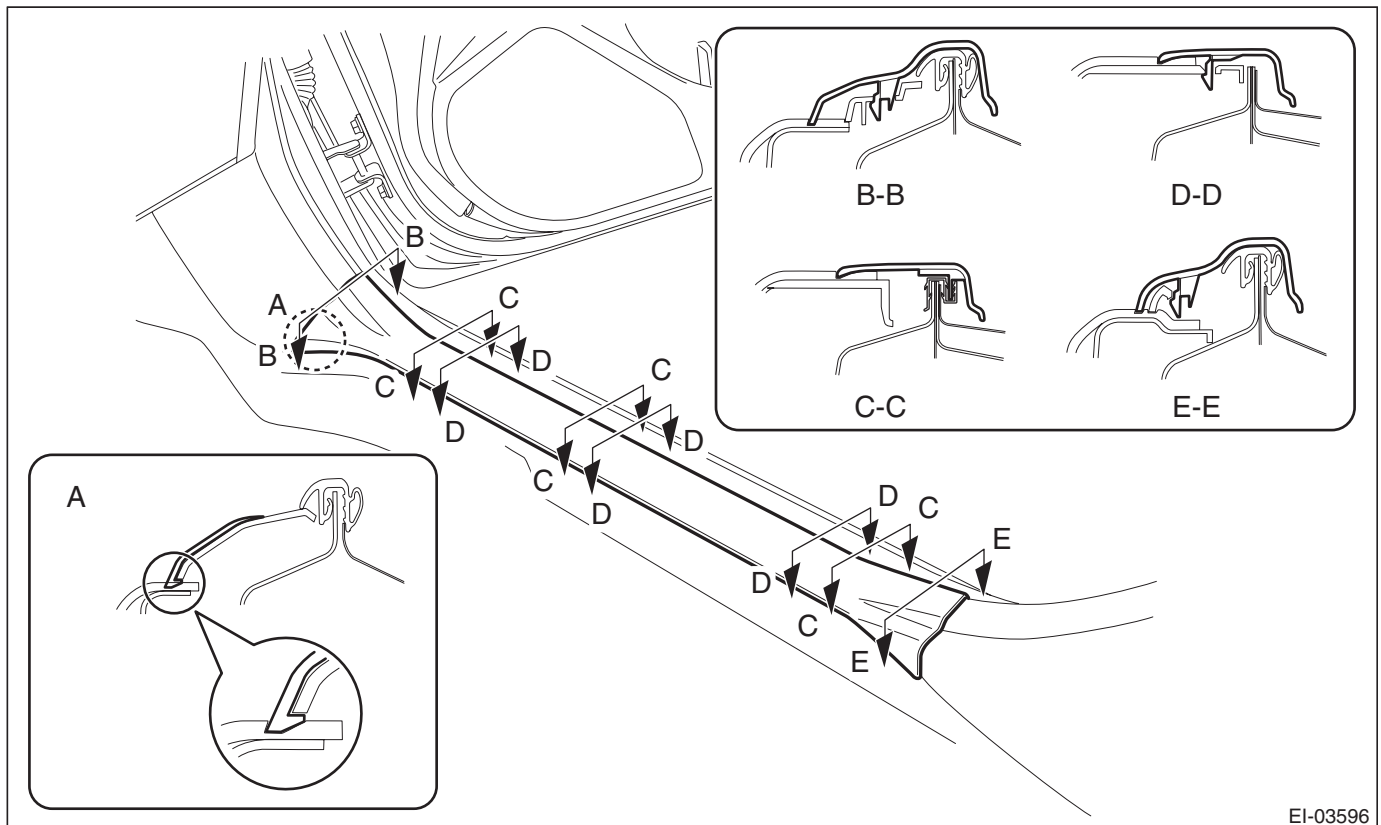
1) Before working, turn the ignition switch to OFF, disconnect the battery ground cable, and wait for 60 seconds or more.

2) Tilt the front seat backrest assembly forward, and move the front seat all the way forward.

3) Release the claws, and then remove the cover side sill - front INN. (On the side where seat belt assembly is removed)

CAUTION:

Do not pull with excessive force. Doing so may damage the claws of the cover side sill - front INN.

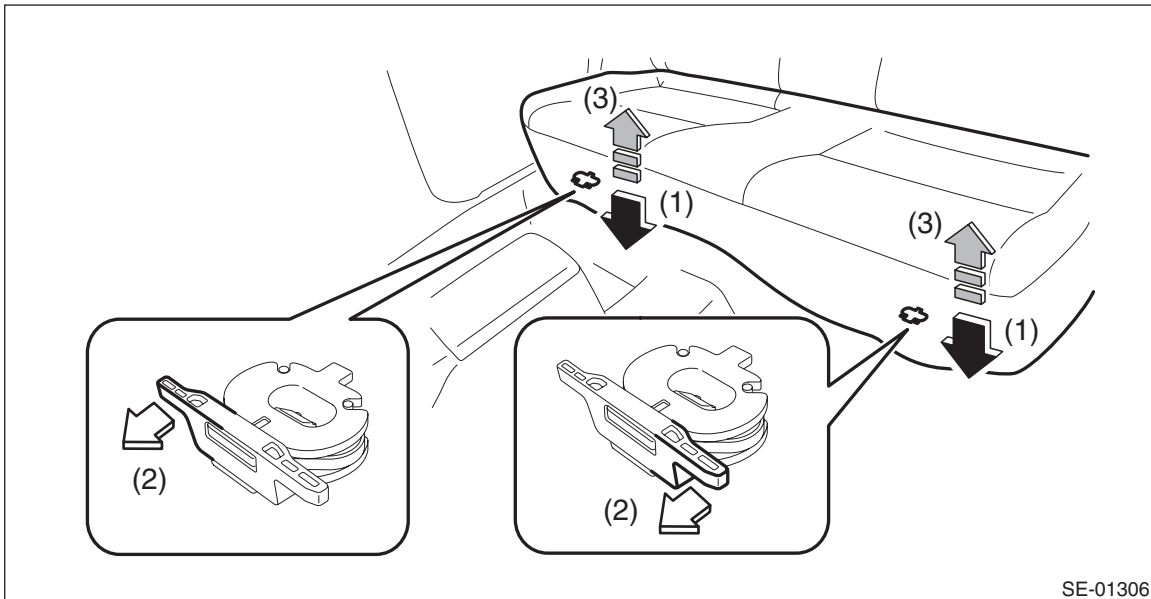


EI-03596

- 4) Remove the rear seat cushion assembly.
 - (1) Push the corners of the seat cushion from above.
 - (2) While pushing the corners of the seat cushion from above, pull the knob of the hook - seat cushion rear towards yourself.
 - (3) While pulling the knob towards yourself, disconnect the hooks by lifting up the rear seat cushion.

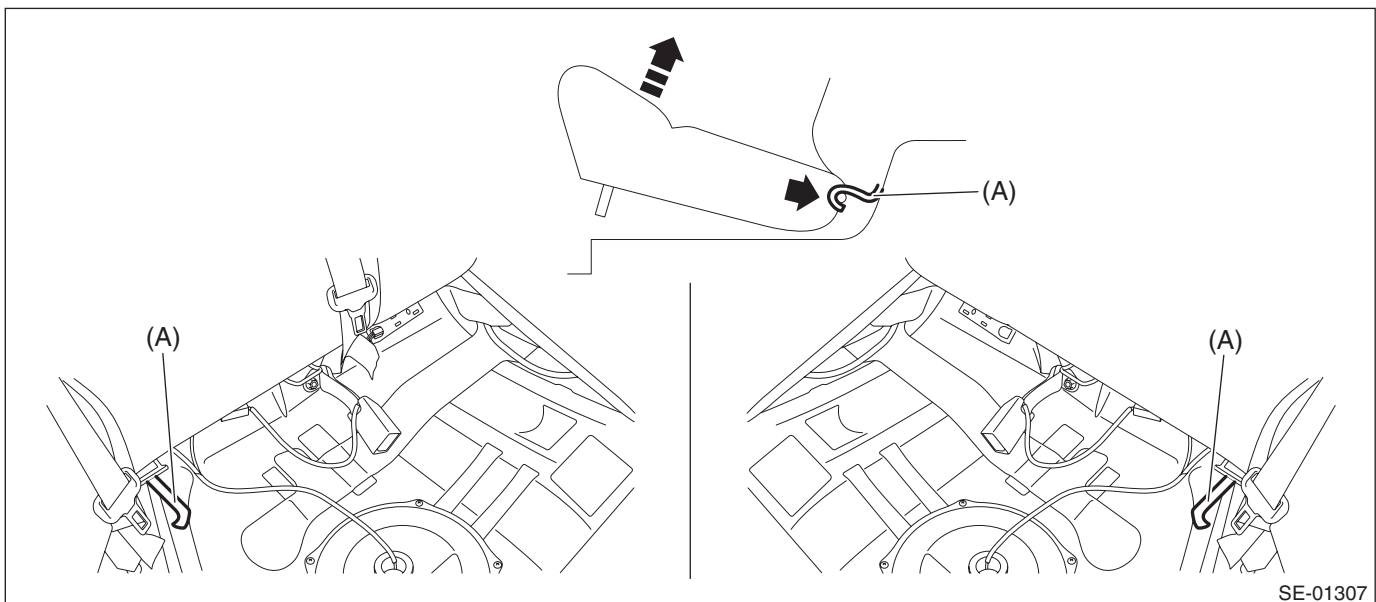
NOTE:

Pull the left side of the knob to disconnect the LH side hook, and pull the right side of the knob to disconnect the RH side hook.



SE-01306

- (4) Remove the hook (A) by pushing it back while lifting the front side of the rear seat cushion, and remove the rear seat cushion.



SE-01307

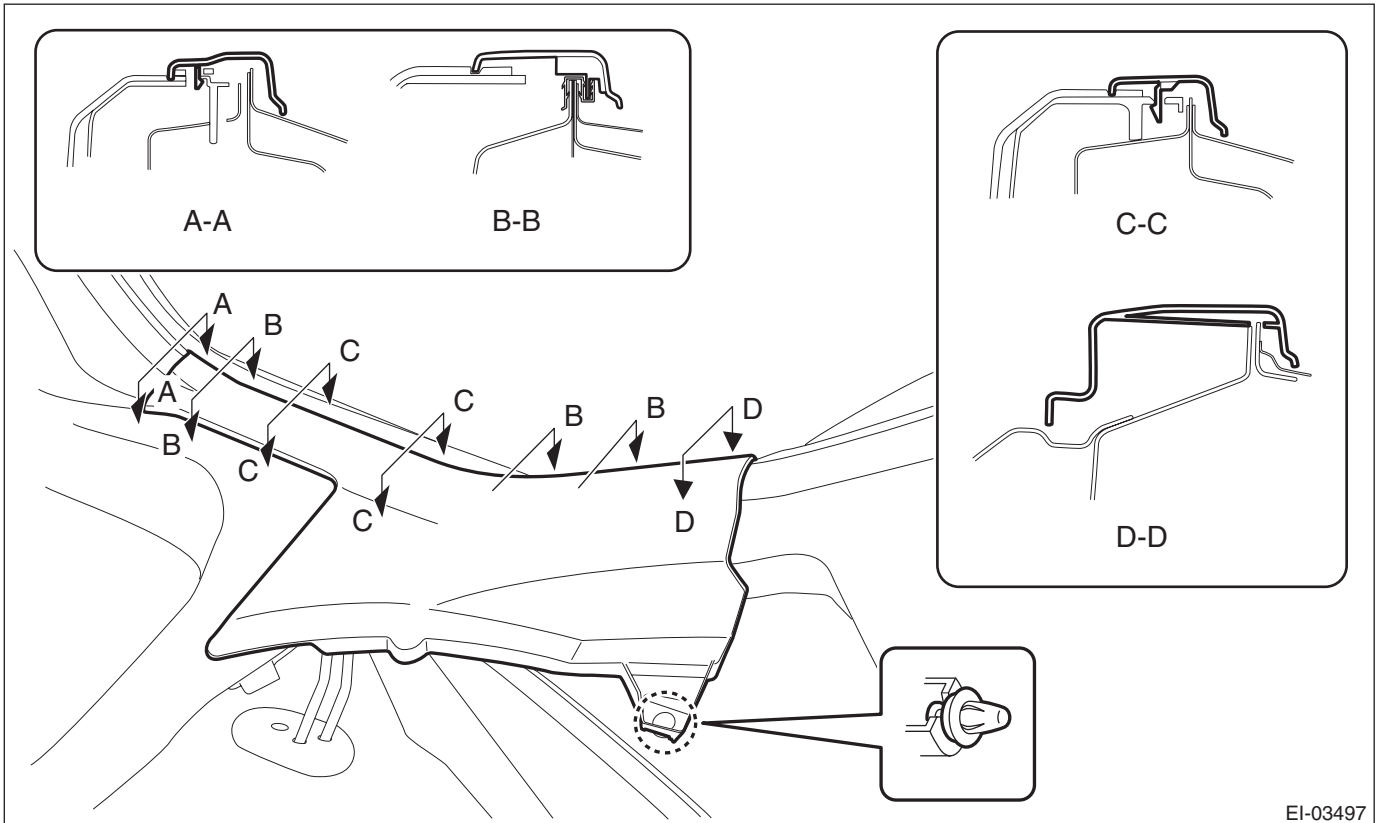
Front Seat Belt

SEAT BELT SYSTEM

5) Release the clips and claws, and then remove the cover side sill - rear INN. (On the side where seat belt assembly is removed)

CAUTION:

Do not pull with excessive force. Doing so may damage the claws of the cover side sill - rear INN.



EI-03497

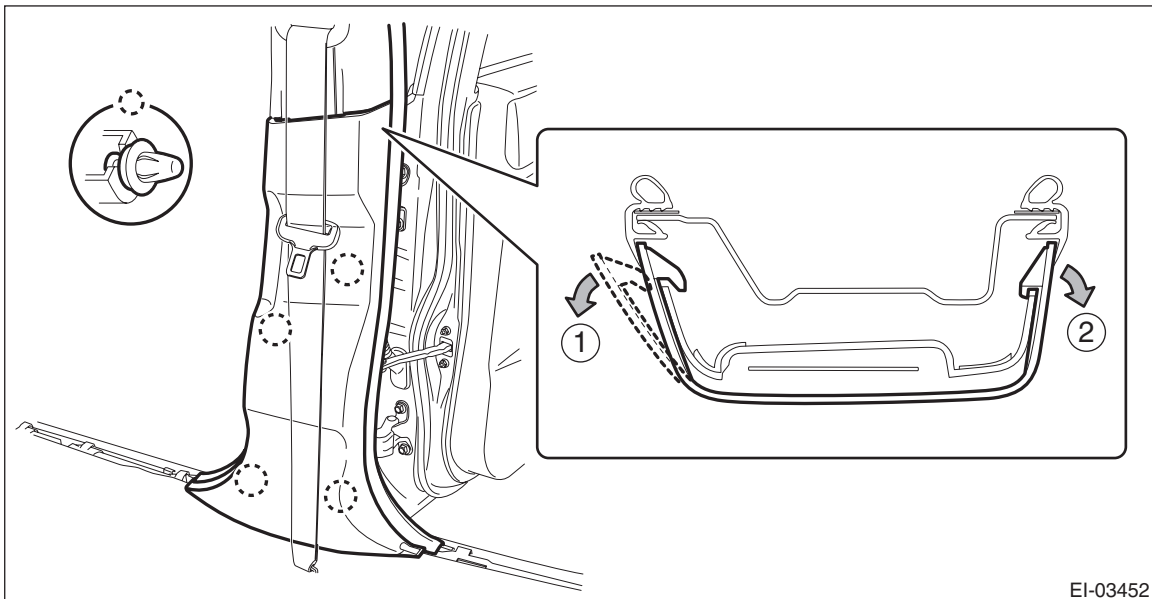
6) Remove the trim panel - center pillar LWR. (On the side where seat belt assembly is removed)

(1) Release the clip by pulling the trim panel - center pillar LWR toward you.

(2) Expand the claws of the trim panel - center pillar LWR outward, and remove it from the trim panel - center pillar UPR.

CAUTION:

Do not expand the trim panel - center pillar LWR excessively. Doing so may damage the trim.



EI-03452

NOTE:

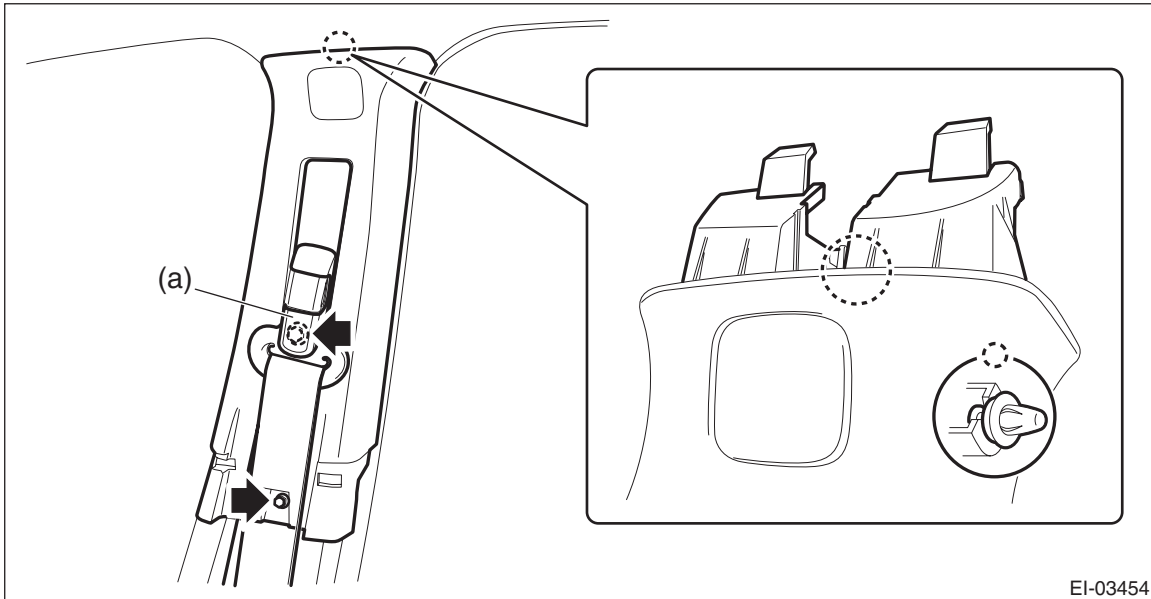
First release the claw located to the front of the vehicle.

7) Remove the trim panel - center pillar UPR. (On the side where seat belt assembly is removed)

- (1) Remove the cover through (a), and remove the seat belt anchor bolt.
- (2) Remove the bolt on the lower side of the trim panel - center pillar UPR.
- (3) Remove the clip by pulling the upper part of the trim toward you, and while lowering the entire trim, remove the trim panel - center pillar UPR.

CAUTION:

Do not reuse the upper clips of the trim panel - center pillar UPR. Once the clip is removed, its holding force is reduced. Be sure to replace it with a new clip.



EI-03454

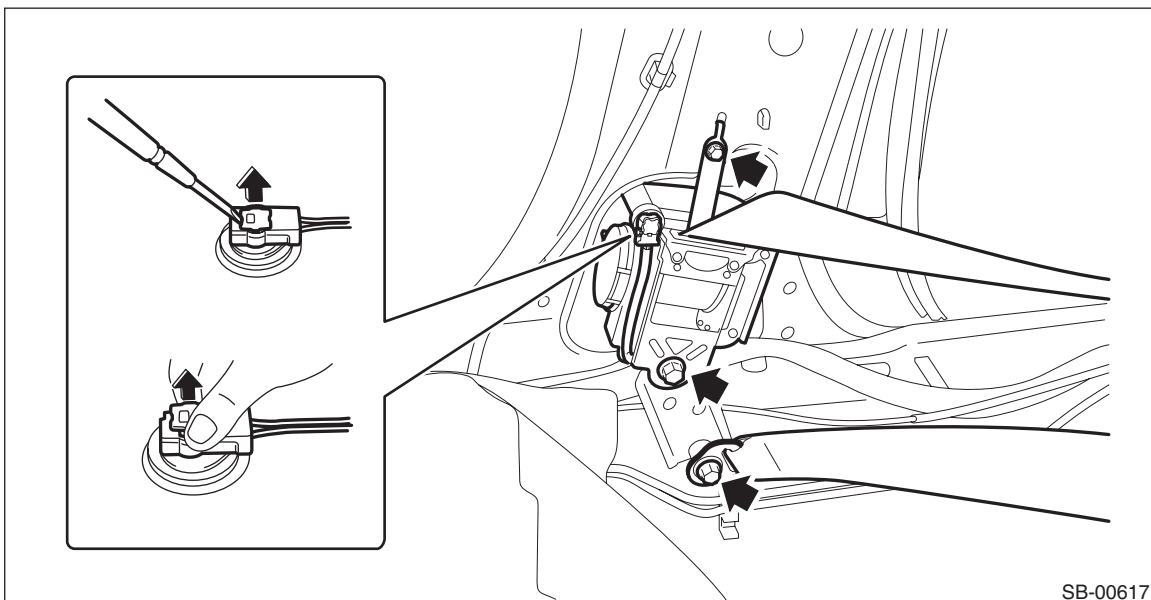
8) Remove the seat belt outer - front.

- (1) Turn over the floor mat to disconnect the belt tension sensor connector. <Ref. to AB-24, DRIVER'S AIRBAG MODULE, CURTAIN AIRBAG MODULE & PRETENSIONER, PROCEDURE, Airbag Connector.>

NOTE:

For XV model, disconnect the connector of the passenger's lap seat belt pretensioner.

- (2) Remove the bolt to remove the seat belt retractor.
- (3) Remove the lower anchor bolt, and remove the seat belt outer - front.



SB-00617

Front Seat Belt

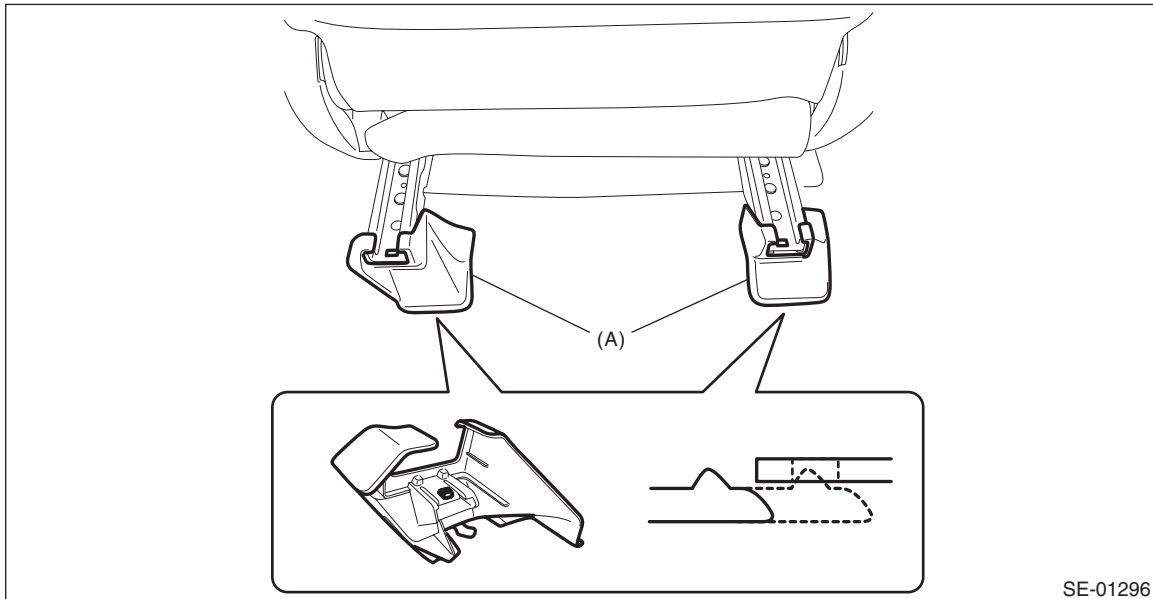
SEAT BELT SYSTEM

2. SEAT BELT INNER - FRONT

CAUTION:

The airbag system is fitted with a backup power supply. After disconnecting the battery ground cable, the airbag may operate if you do not wait for 60 seconds before starting the service of airbag system.

- 1) Turn the ignition switch to OFF.
- 2) Disconnect the ground cable from battery and wait for at least 60 seconds before starting work.
- 3) Remove the front seats.
 - (1) Tilt the backrest assembly forward and move the front seat to the front most position.
 - (2) Remove the cover - bolt rear (A) and remove the bolts.



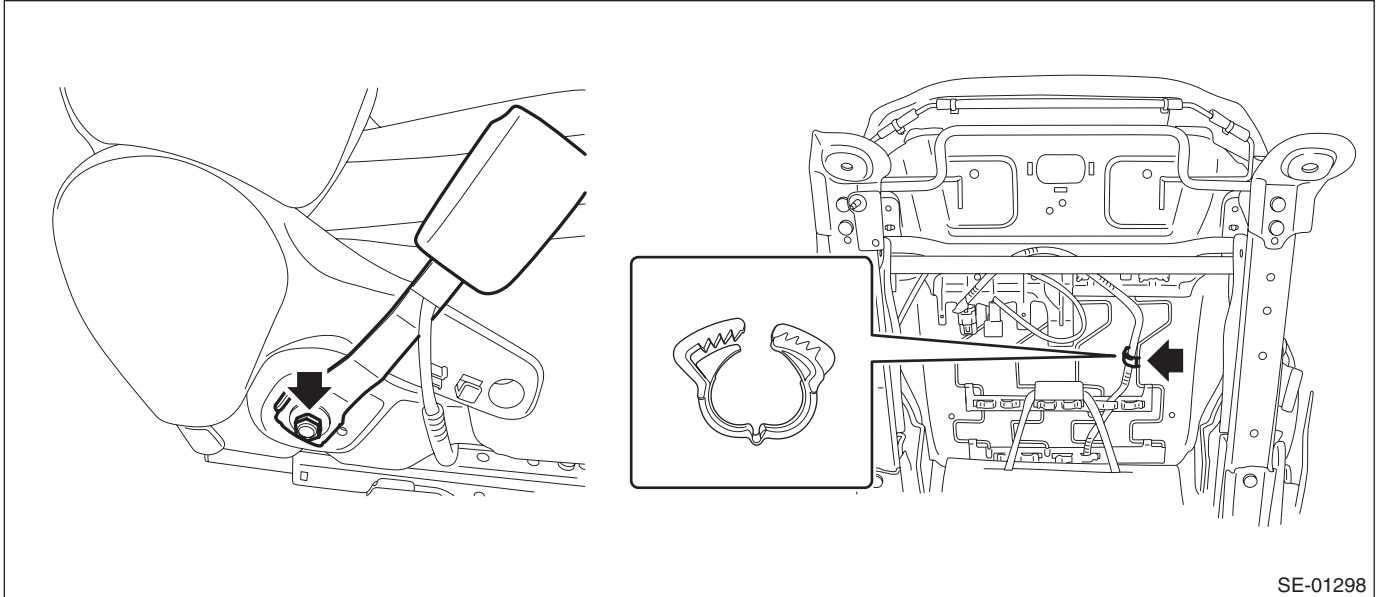
SE-01296

- (3) Move the front seat to the rearmost position, and remove the bolts.
- (4) Disconnect the connector under the front seat.
 - Seat belt warning light connector (driver's seat)
 - Occupant detection system harness connector (passenger's seat) <Ref. to OD(diag)-9, OCCUPANT DETECTION SYSTEM (BETWEEN AIRBAG REAR HARNESS AND SEAT HARNESS), PROCEDURE, Airbag Connector.>
 - Side airbag connector <Ref. to AB-31, SIDE AIRBAG MODULE, PROCEDURE, Airbag Connector.>
 - Seat heater connector (model with seat heater)
 - Buckle switch RH connector (passenger's seat) <Ref. to AB-32, BUCKLE SWITCH RH, PROCEDURE, Airbag Connector.>

4) Remove the seat belt inner - front.

(1) Remove the nut, and remove the seat belt inner - front.

(2) Remove the clip for the inner seat belt harness located under the seat cushion.



3. ADJUSTER ASSEMBLY - SEAT BELT

CAUTION:

- The airbag system is fitted with a backup power supply. After disconnecting the battery ground cable, the airbag may operate if you do not wait for 60 seconds before starting the service of airbag system.
- Do not drop or subject the pretensioner to any impact.
- Since the pretensioner and bracket are integrated as a unit, do not disassemble them.

1) Before working, turn the ignition switch to OFF, disconnect the battery ground cable, and wait for 60 seconds or more.

2) Tilt the backrest assembly forward and move the front seat to the front most position.

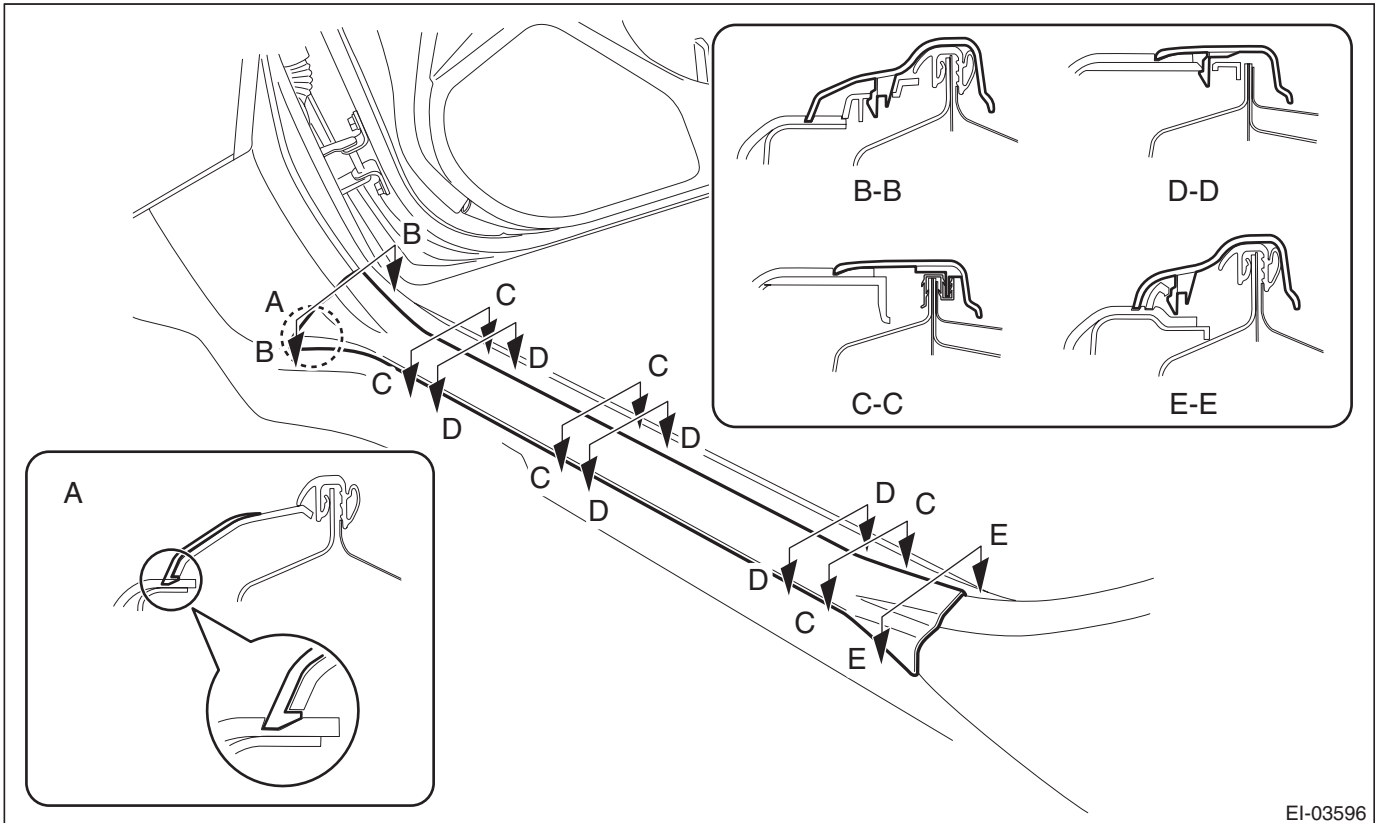
Front Seat Belt

SEAT BELT SYSTEM

3) Release the claws, and then remove the cover side sill - front INN.

CAUTION:

Do not pull with excessive force. Doing so may damage the claws of the cover side sill - front INN.



EI-03596

4) Remove the rear seat cushion assembly.

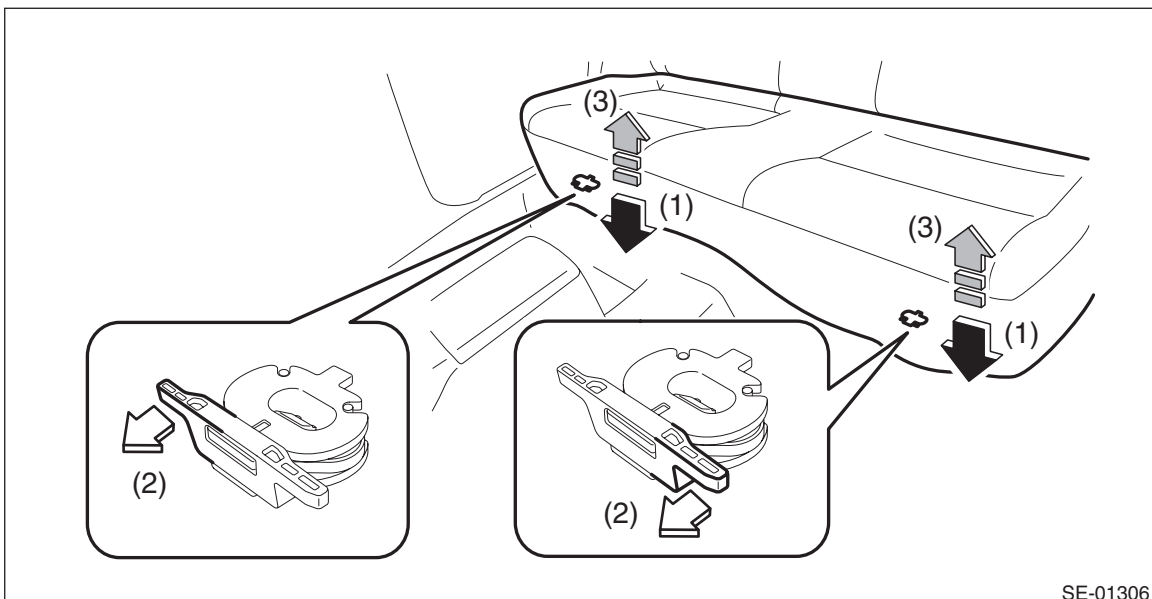
(1) Push the corners of the rear seat cushion from above.

(2) While pushing the corners of the rear seat cushion from above, pull the knob of the hook - seat cushion rear towards yourself.

(3) While pulling the knob towards yourself, disconnect the hooks by lifting up the rear seat cushion.

NOTE:

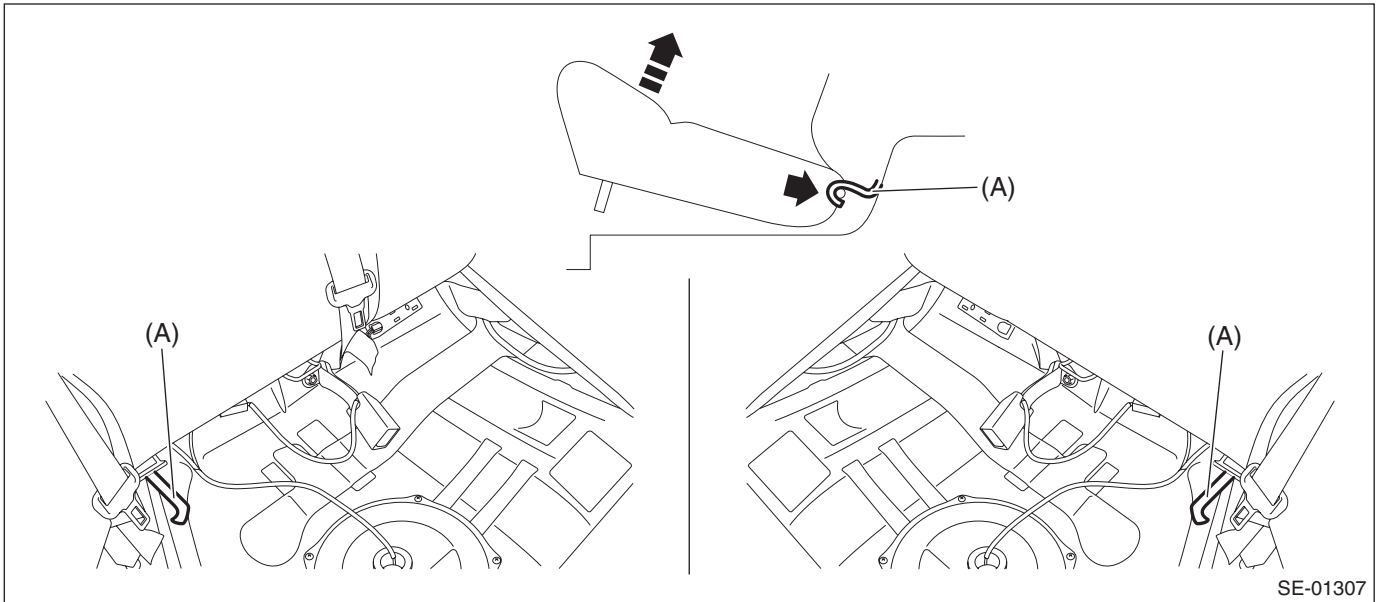
Pull the left side of the knob to disconnect the LH side hook, and pull the right side of the knob to disconnect the RH side hook.



SE-01306

Front Seat Belt

(4) Remove the hook (A) by pushing it back while lifting the front side of the rear seat cushion, and remove the rear seat cushion.

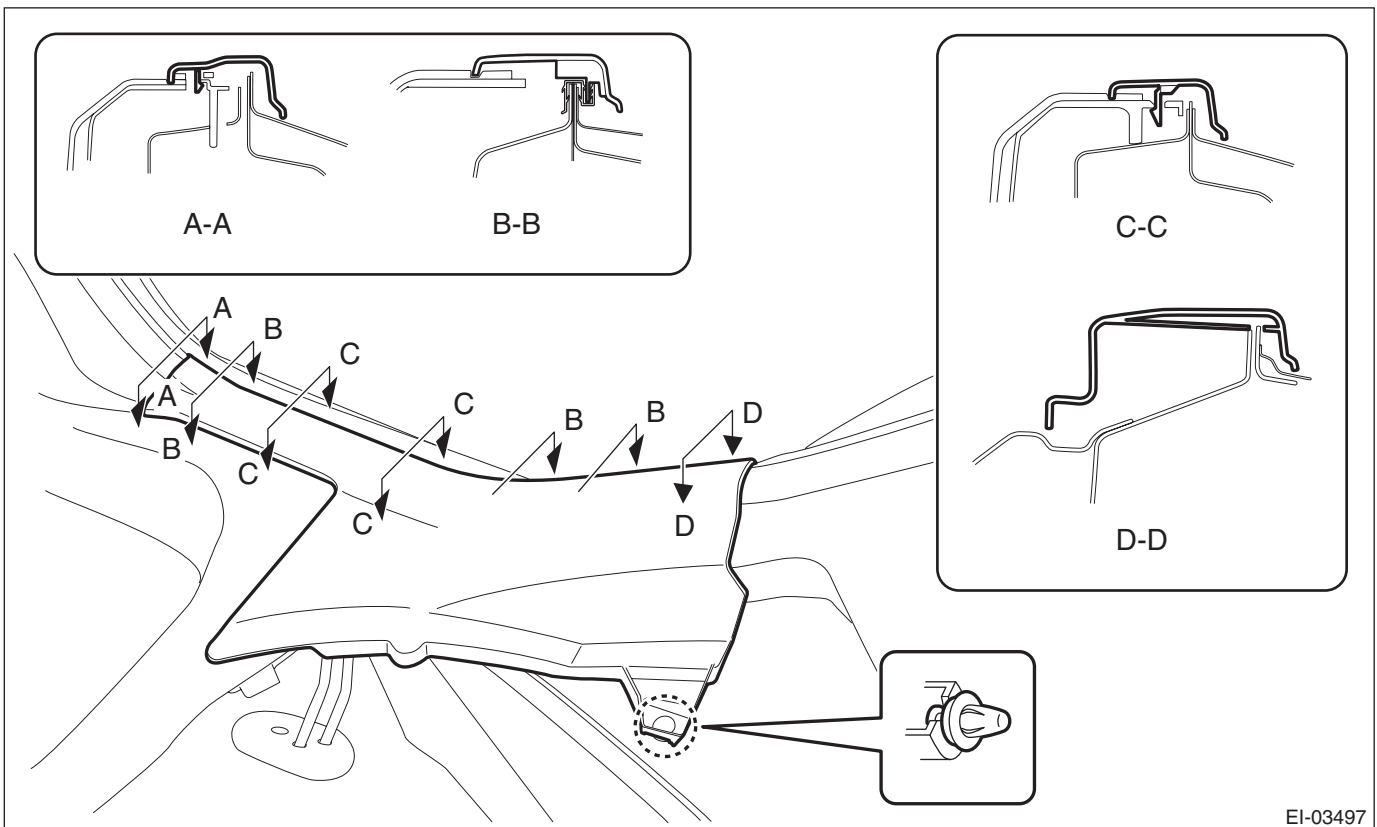


SE-01307

5) Release the clips and claws, and then remove the cover side sill - rear INN.

CAUTION:

Do not pull with excessive force. Doing so may damage the claws of the cover side sill - rear INN.



EI-03497

Front Seat Belt

SEAT BELT SYSTEM

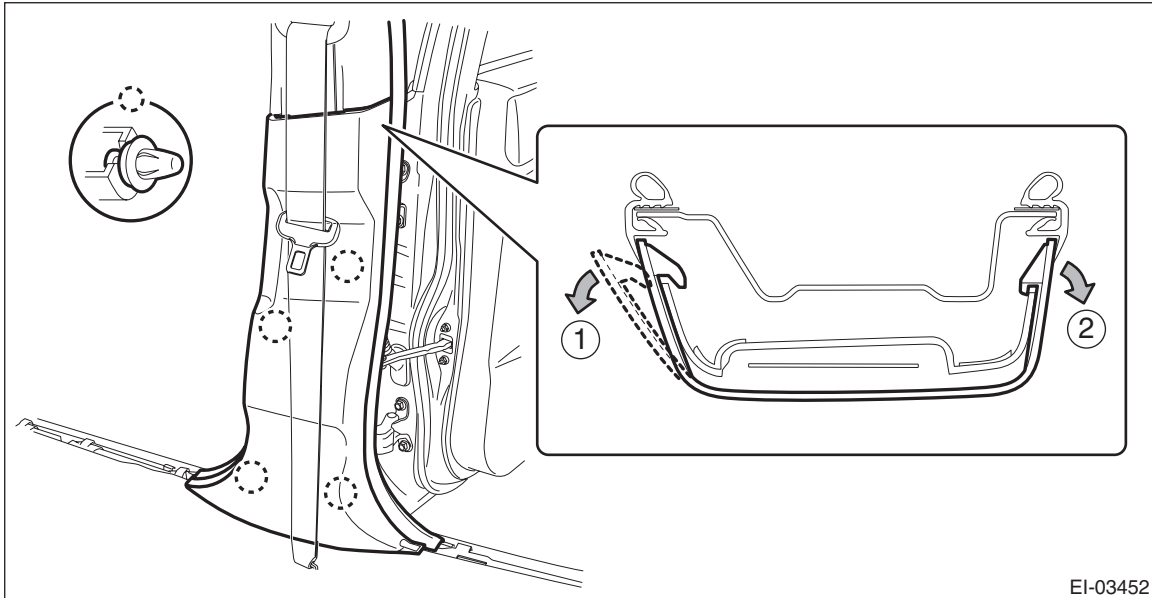
6) Remove the trim panel - center pillar LWR.

(1) Release the clip by pulling the trim panel - center pillar LWR toward you.

(2) Expand the claws of the trim panel - center pillar LWR outward, and remove it from the trim panel - center pillar UPR.

CAUTION:

Do not expand the trim panel - center pillar LWR excessively. Doing so may damage the trim.



EI-03452

NOTE:

First release the claw located to the front of the vehicle.

7) Remove the trim panel - center pillar UPR.

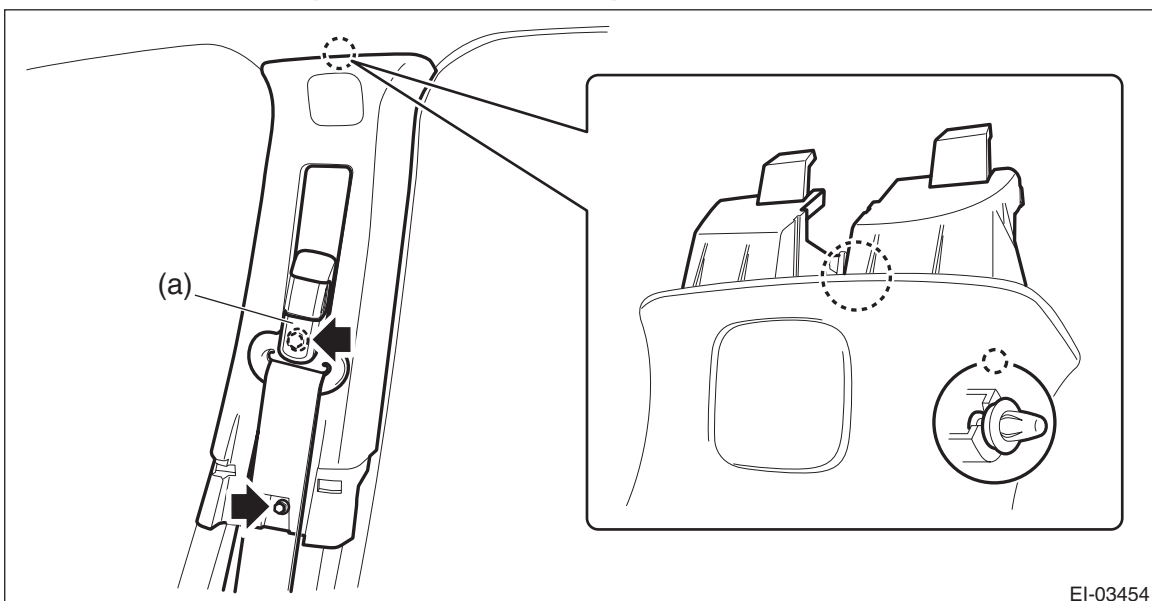
(1) Remove the cover through (a), and remove the seat belt anchor bolt.

(2) Remove the bolt on the lower side of the trim panel - center pillar UPR.

(3) Remove the clip by pulling the upper part of the trim toward you, and while lowering the entire trim, remove the trim panel - center pillar UPR.

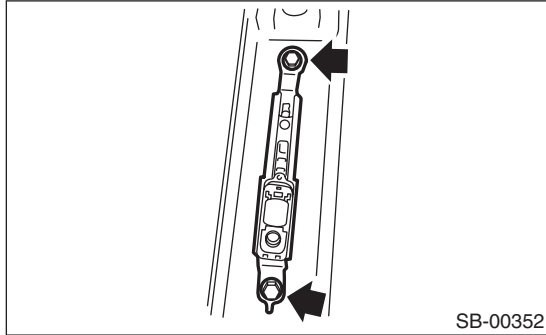
CAUTION:

Do not reuse the upper clips of the trim panel - center pillar UPR. Once the clip is removed, its holding force is reduced. Be sure to replace it with a new clip.



EI-03454

8) Remove the bolts, and then remove the adjuster assembly - seat belt.



B: INSTALLATION

1. SEAT BELT OUTER - FRONT

CAUTION:

- The parts of the driver and passenger sides are not the same. Before installation, make sure that the correct part is used.
- During installation, make sure that the seat belts are not twisted.
- After installation, make sure that the seat belt can be pulled out and retracted smoothly.
- Make sure that the seat belt harness is not caught anywhere. Wrong harness routing may cause the harness short from pinch.
- Do not reuse the upper clips of the trim panel - center pillar UPR. Once the clip is removed, its holding force is reduced. Be sure to replace it with a new clip.

- 1) Before installation, perform a unit inspection of retractor. <Ref. to SB-28, INSPECTION, Front Seat Belt.>
- 2) Install the seat belt outer - front.

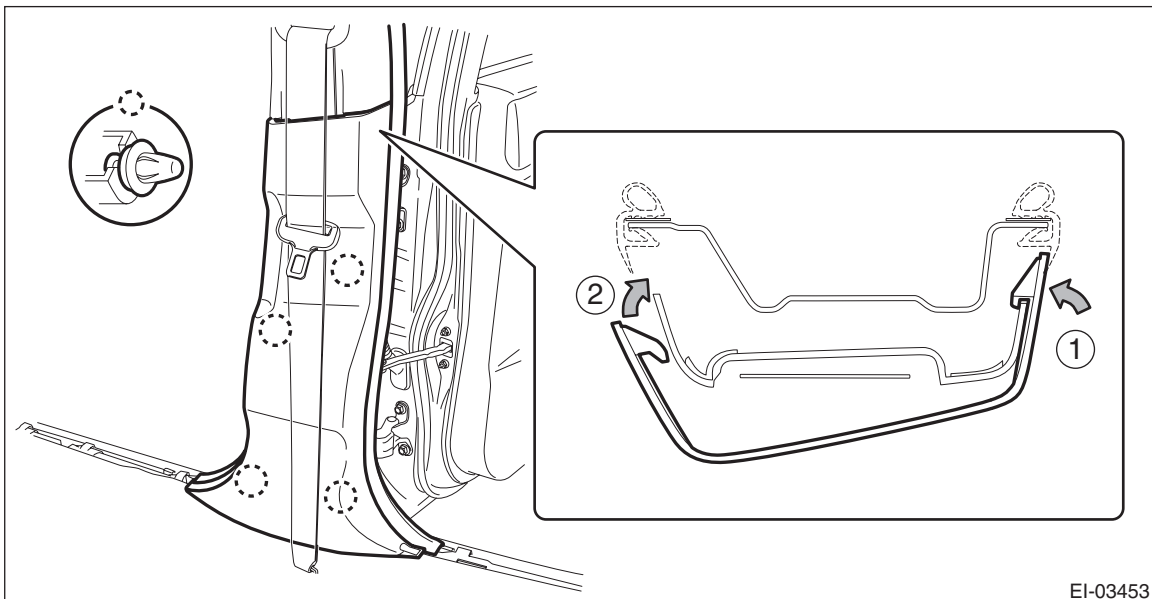
Tightening torque:

Front seat belt: <Ref. to SB-2, FRONT SEAT BELT, COMPONENT, General Description.>

- 3) Install the remaining parts in the reverse order of removal.

NOTE:

Assemble the trim panel - center pillar LWR to the trim panel - center pillar UPR securely.



Front Seat Belt

SEAT BELT SYSTEM

4) After installation, check the following points.

- The seat belt is not twisted.
- The seat belt can be pulled out and retracted smoothly.
- The adjuster assembly - seat belt can be moved smoothly.
- Check that the airbag warning light lights up for approximately 6 seconds and then turns off when connecting the battery ground cable and turning the ignition switch to ON.

2. SEAT BELT INNER - FRONT

CAUTION:

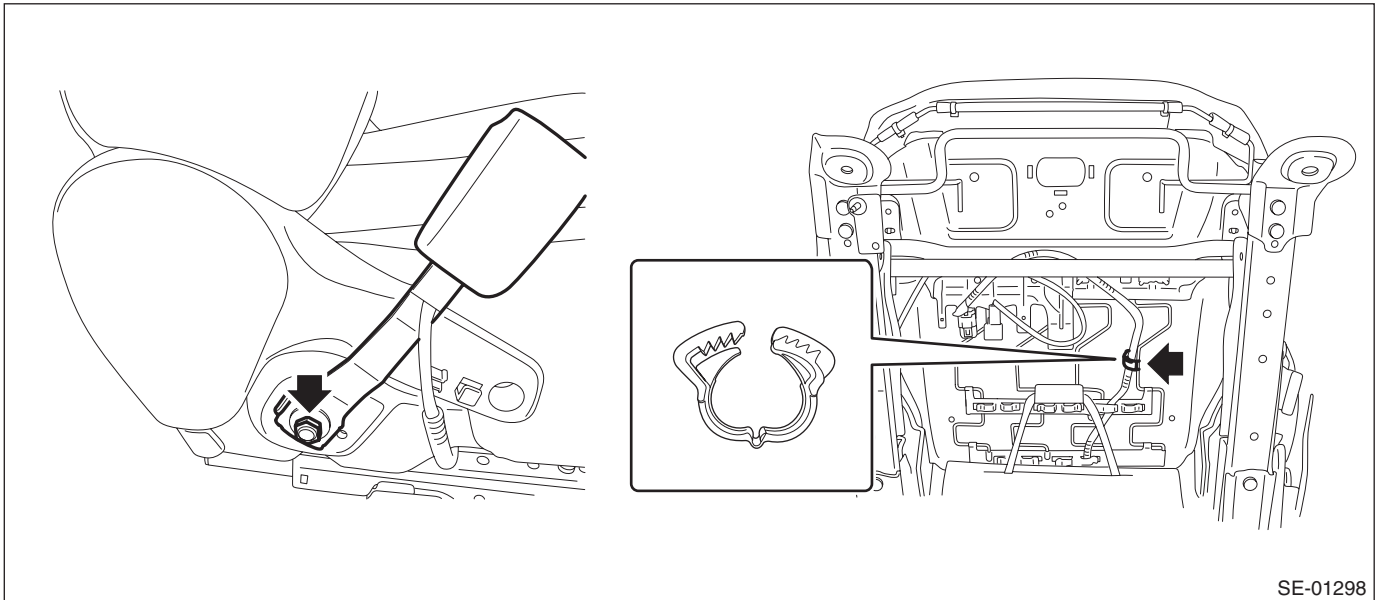
- Before installation, make sure that the correct part is used.
- During installation, make sure that the seat belts are not twisted.
- Check that there is no pinching of the seat belt harness. Wrong harness routing may cause the harness short from pinch.

1) Install the seat belt inner - front.

Tightening torque:

Front seat belt: <Ref. to SB-2, FRONT SEAT BELT, COMPONENT, General Description.>

2) Locate the seat belt harness and retain it with a harness clip.

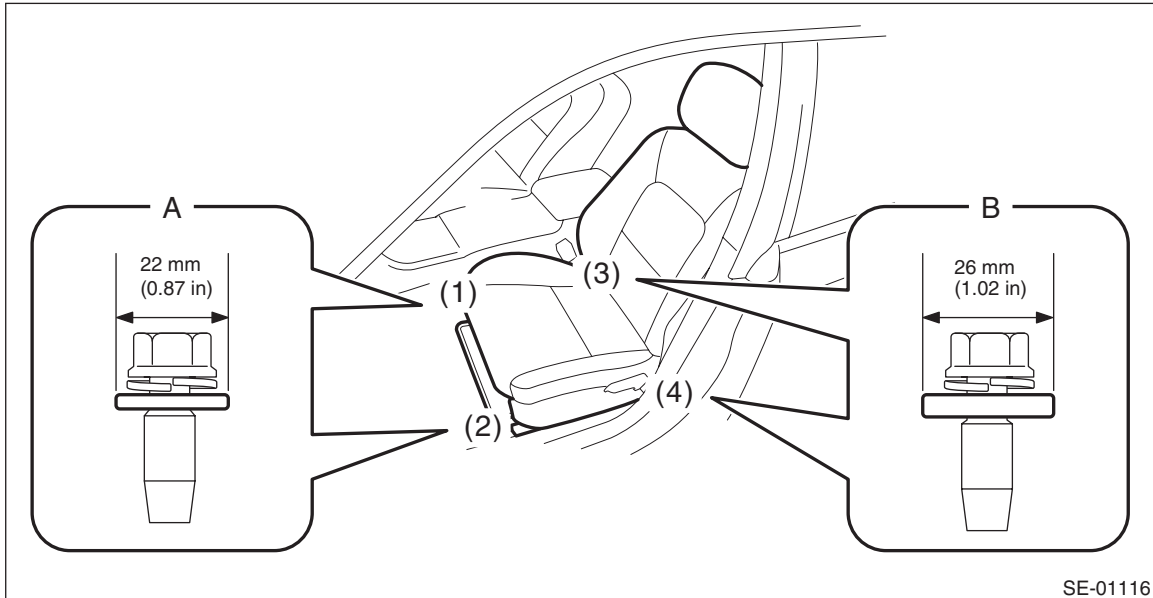


SE-01298

3) Install the seat assembly to the body.

CAUTION:

- The seat mounting bolts differ between the front mounting points and the rear mounting points. Make sure that you are using correct bolts at correct positions.
- Tighten the slide rail installing bolts in the order as shown in the figure, in several steps by gradually increasing the torque until they reach the specified torque.



- Front (bolt A): Washer diameter 22 mm (0.87 in)
- Rear (bolt B): Washer diameter 26 mm (1.02 in)

Tightening torque:

Front seat assembly: 53 N·m (5.40 kgf-m, 39.1 ft-lb)

4) Check that no harness is caught by sliding the seat back and forth.

3. ADJUSTABLE ANCHOR ASSY

Referring to the installation procedure for seat belt outer - front, install the parts in the reverse order of removal.

Tightening torque:

Front seat belt: <Ref. to SB-2, FRONT SEAT BELT, COMPONENT, General Description.>

Front Seat Belt

SEAT BELT SYSTEM

C: INSPECTION

1. VISUAL INSPECTION

Check for the following, and replace with new parts if necessary.

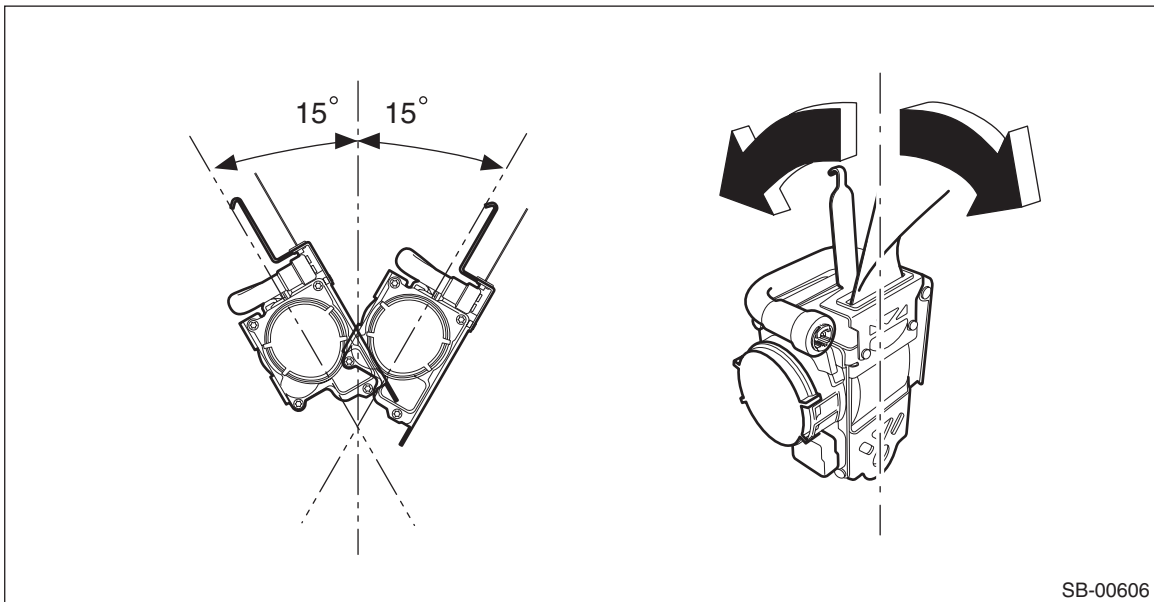
- Pretensioner is cracked or deformed.
- Adjuster assembly - seat belt is cracked or deformed.
- Seat belt is slackened, bent or worn.
- Seat belt is abnormally wound or extended.
- Seat belt inner - front is deformed or damaged.
- Seat belt buckle cannot be engaged properly.

2. ELR LOCK MECHANISM INSPECTION

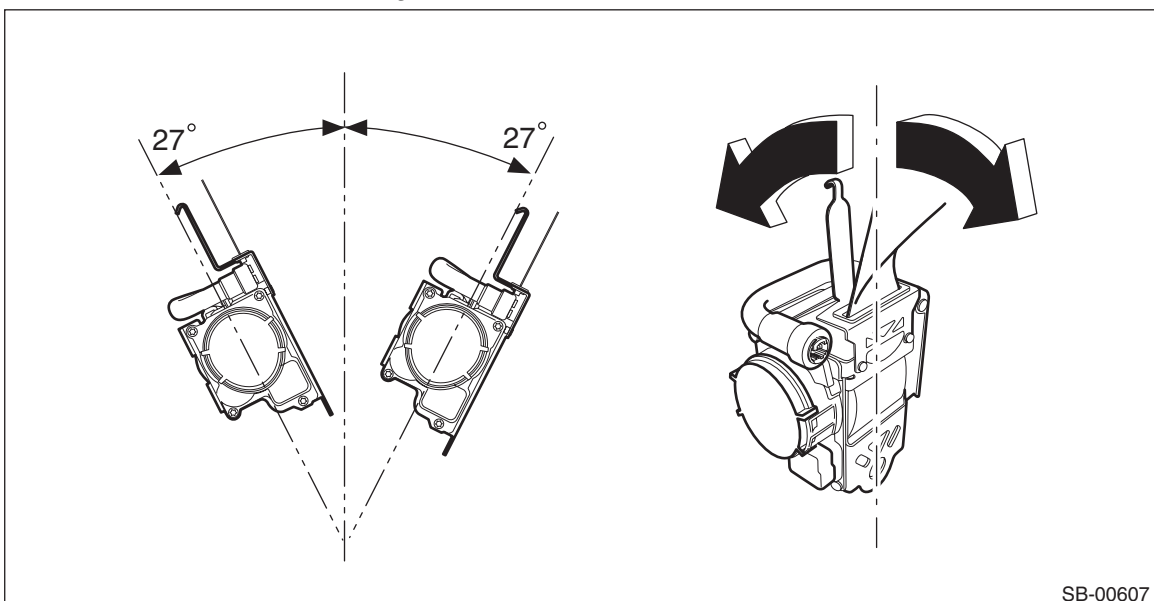
1) Hold the retractor upright (as installed in the vehicle) and check the ELR lock mechanism.

2) Tilt the retractor from the upright posture and check the following points.

- It does not lock if the inclination angle is 15° or less.



- It remains locked if the inclination angle is 27° or more.



3) If the ELR lock mechanism does not operate properly, replace the seat belt outer - front with a new part.

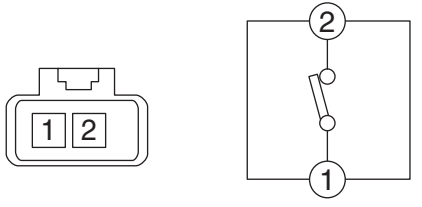
3. SEAT BELT SWITCH INSPECTION

Preparation tool:

Circuit tester

- Driver's seat

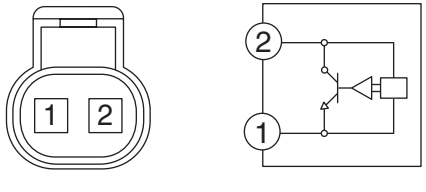
Check the resistance between the terminals when the seat belt inner - front is in each of the following operation conditions.

| Terminal No. | Inspection conditions | Standard | Circuit |
|--------------|-----------------------|-----------------------|--|
| 2 — 1 | Tongue plate inserted | Less than 1 Ω |  <p style="text-align: right;">SB-00609</p> |
| 2 — 1 | Tongue plate detached | 10 k Ω or more | |

Replace the seat belt inner - front if the inspection result is not within the standard.

- Passenger's seat

Check the current between the terminals when the seat belt inner - front is in each of the following operation conditions.

| Terminal No. | Inspection conditions | Standard | Circuit |
|--------------|-----------------------|------------|--|
| 1 — 2 | Tongue plate inserted | 12 — 18 mA |  <p style="text-align: right;">SB-00608</p> |
| 1 — 2 | Tongue plate detached | 4 — 7 mA | |

Replace the seat belt inner - front if the inspection result is not within the standard.