

Rear Seat Belt

SEAT BELT SYSTEM

6. Rear Seat Belt

A: REMOVAL

1. SEAT BELT OUTER - REAR RH AND LH (4 DOOR MODEL)

1) Disconnect the ground cable from battery and wait for at least 60 seconds before starting work.

CAUTION:

The airbag system is fitted with a backup power supply. After disconnecting the battery ground cable, the airbag may operate if you do not wait for 60 seconds before starting the service of airbag system.

2) Remove the rear seat cushion assembly.

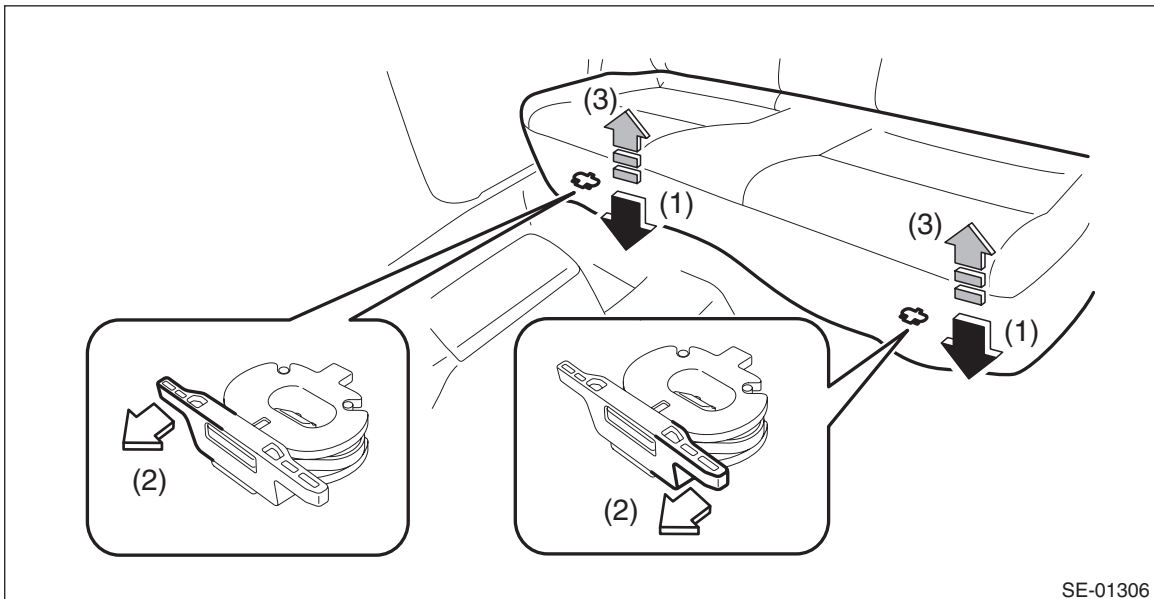
(1) Push the corners of the rear seat cushion from above.

(2) While pushing the corners of the rear seat cushion from above, pull the knob of the hook - seat cushion rear towards yourself.

(3) While pulling the knob towards yourself, disconnect the hooks by lifting up the rear seat cushion.

NOTE:

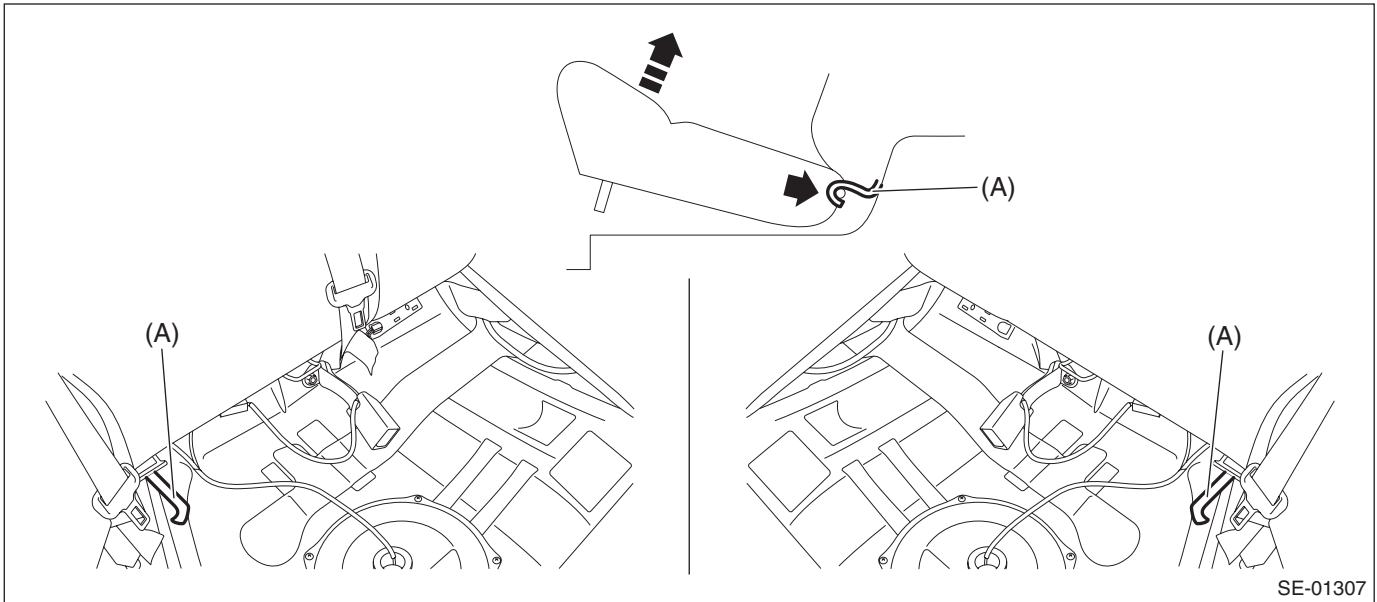
Pull the left side of the knob to disconnect the LH side hook, and pull the right side of the knob to disconnect the RH side hook.



SE-01306

Rear Seat Belt

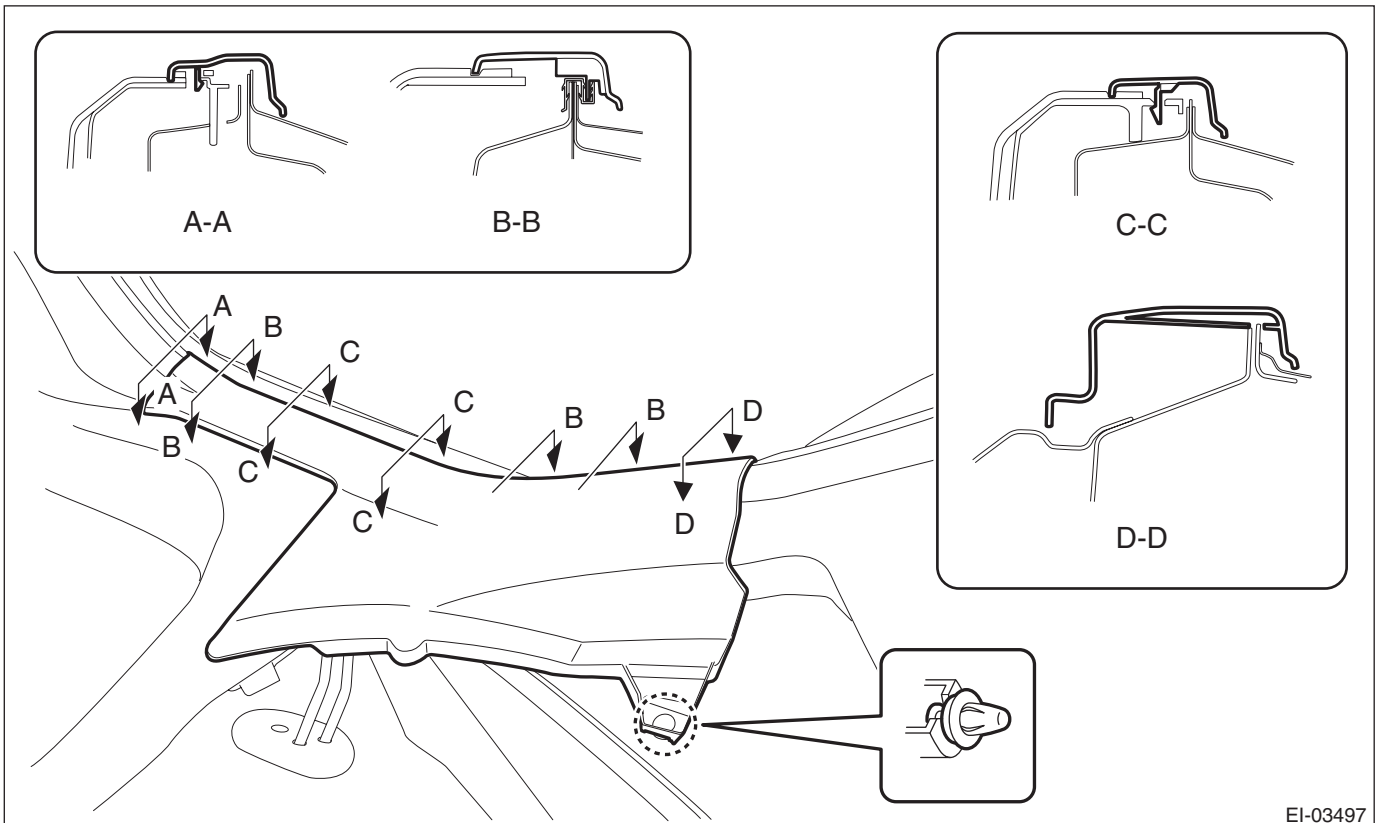
(4) Remove the hook (A) by pushing it back while lifting the front side of the rear seat cushion, and remove the rear seat cushion.



3) Release the clips and claws, and then remove the cover side sill - rear INN. (On the side where seat belt assembly is removed)

CAUTION:

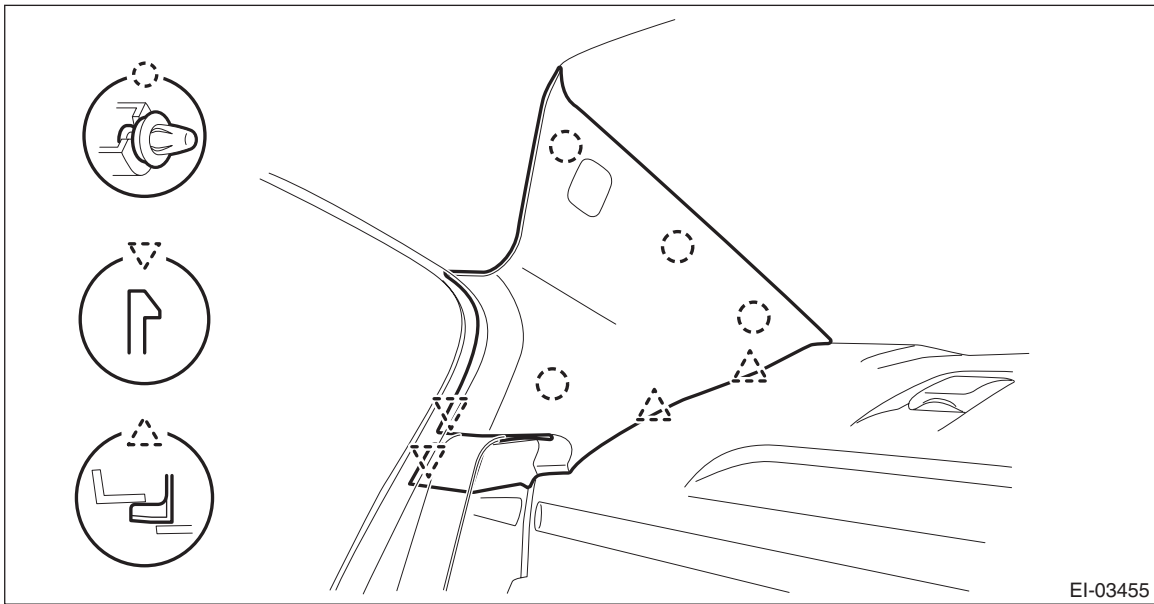
Do not pull with excessive force. Doing so may damage the claws of the cover side sill - rear INN.



Rear Seat Belt

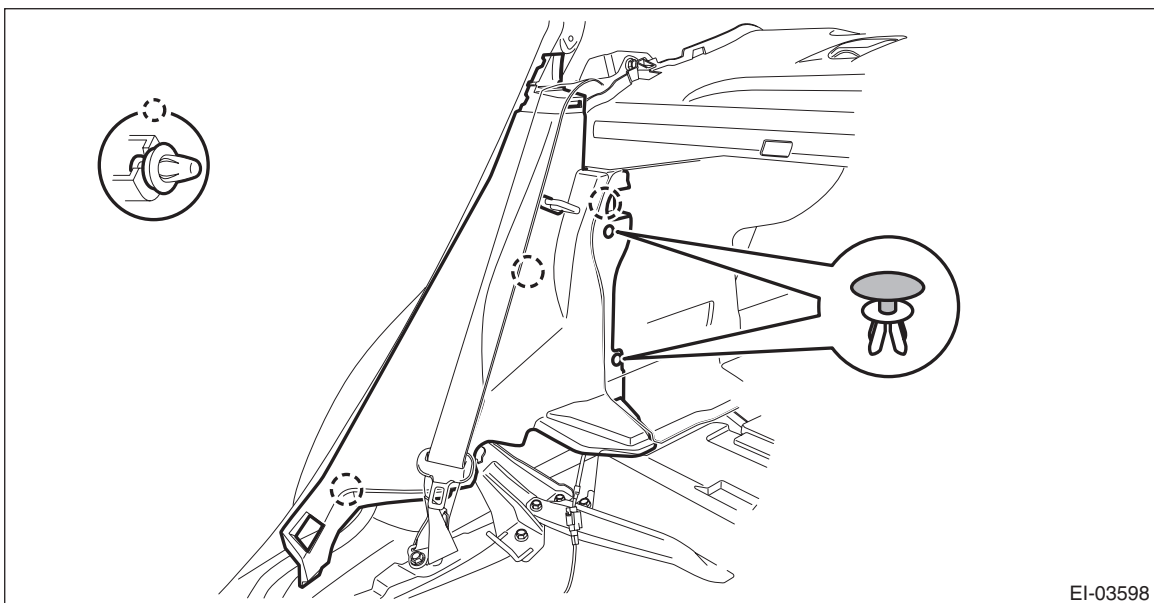
SEAT BELT SYSTEM

4) Remove the clips, and remove the trim panel - rear pillar UPR. (On the side where seat belt assembly is removed)

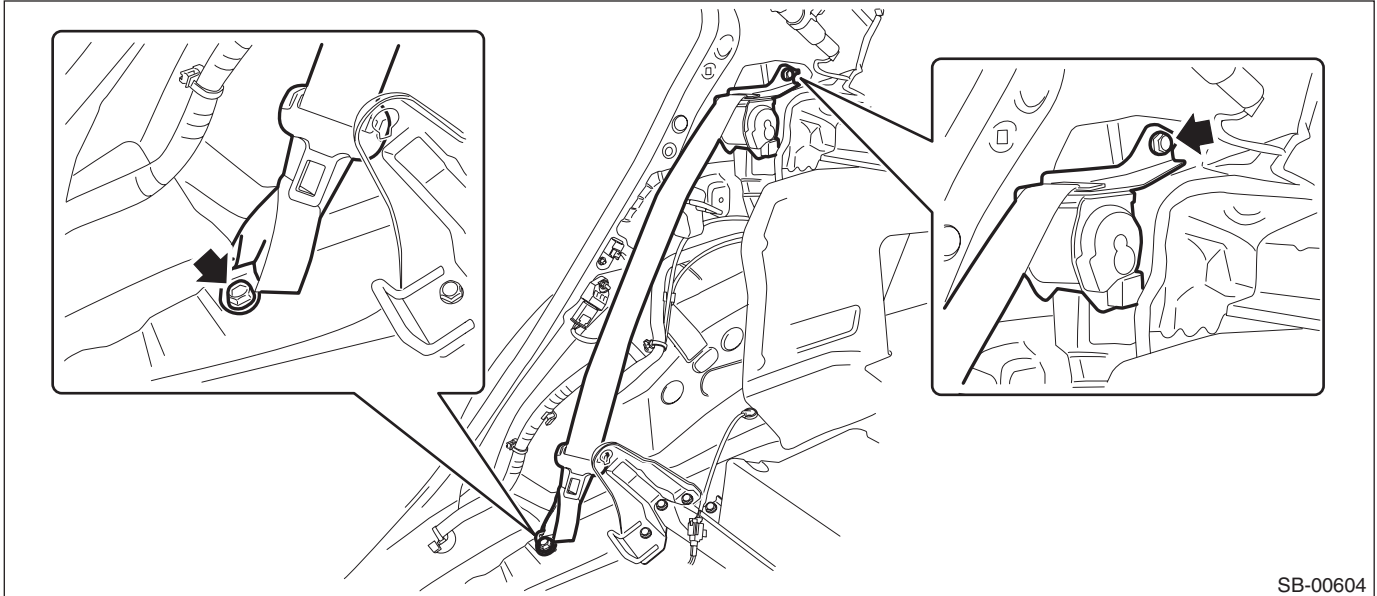


5) Remove the trim panel - rear pillar LWR. (On the side where seat belt assembly is removed)

- (1) Remove the clips, and turn over the trim panel - trunk side.
- (2) Remove the clips, and remove the trim panel - rear pillar LWR.



6) Remove the bolts, and remove the seat belt outer - rear.



2. SEAT BELT OUTER - REAR RH AND LH (5 DOOR MODEL/XV MODEL)

1) Disconnect the ground cable from battery and wait for at least 60 seconds before starting work.

CAUTION:

The airbag system is fitted with a backup power supply. After disconnecting the battery ground cable, the airbag may operate if you do not wait for 60 seconds before starting the service of airbag system.

2) Remove the rear seat cushion assembly.

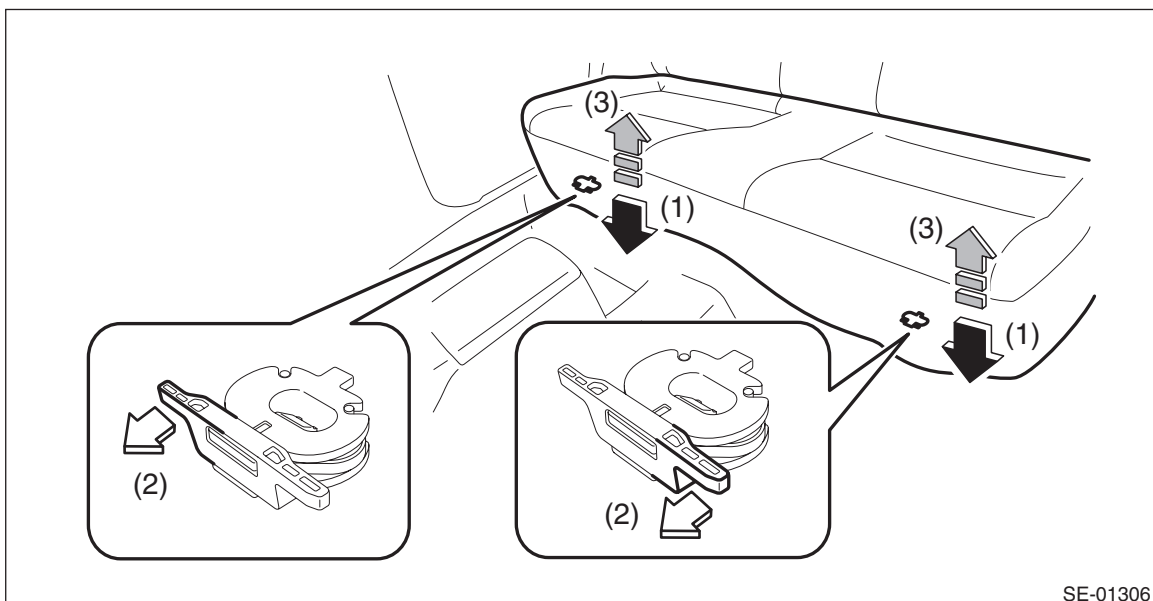
(1) Push the corners of the rear seat cushion from above.

(2) While pushing the corners of the rear seat cushion from above, pull the knob of the hook - seat cushion rear towards yourself.

(3) While pulling the knob towards yourself, disconnect the hooks by lifting up the rear seat cushion.

NOTE:

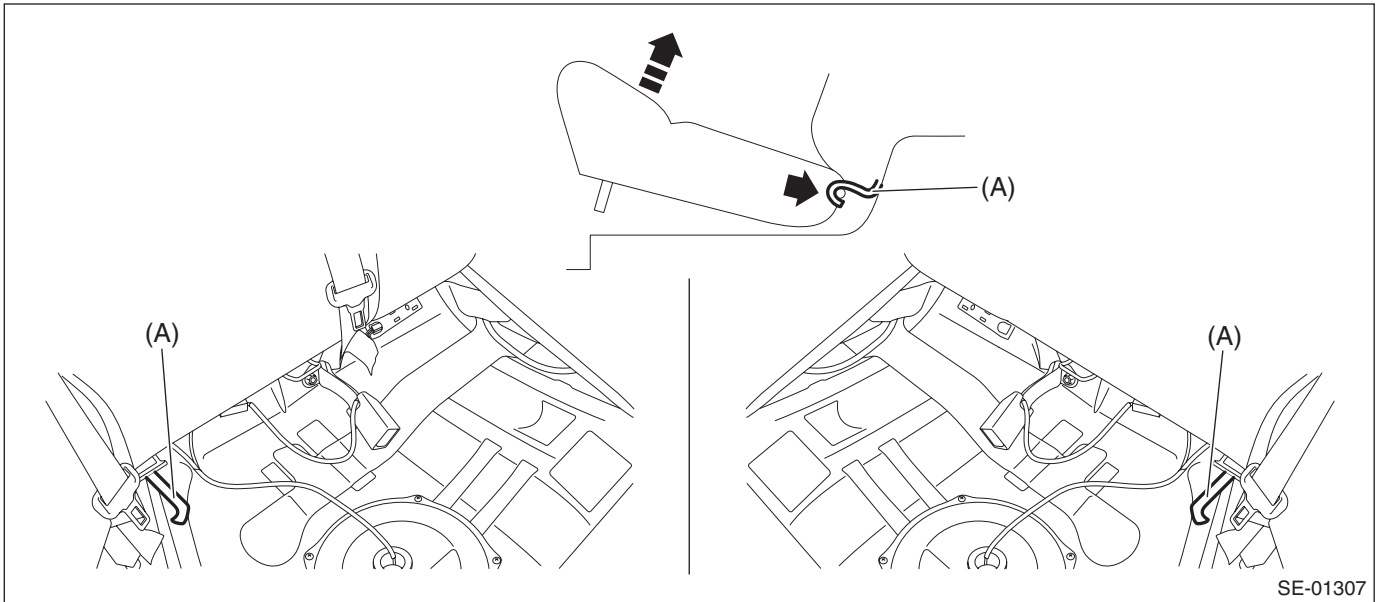
Pull the left side of the knob to disconnect the LH side hook, and pull the right side of the knob to disconnect the RH side hook.



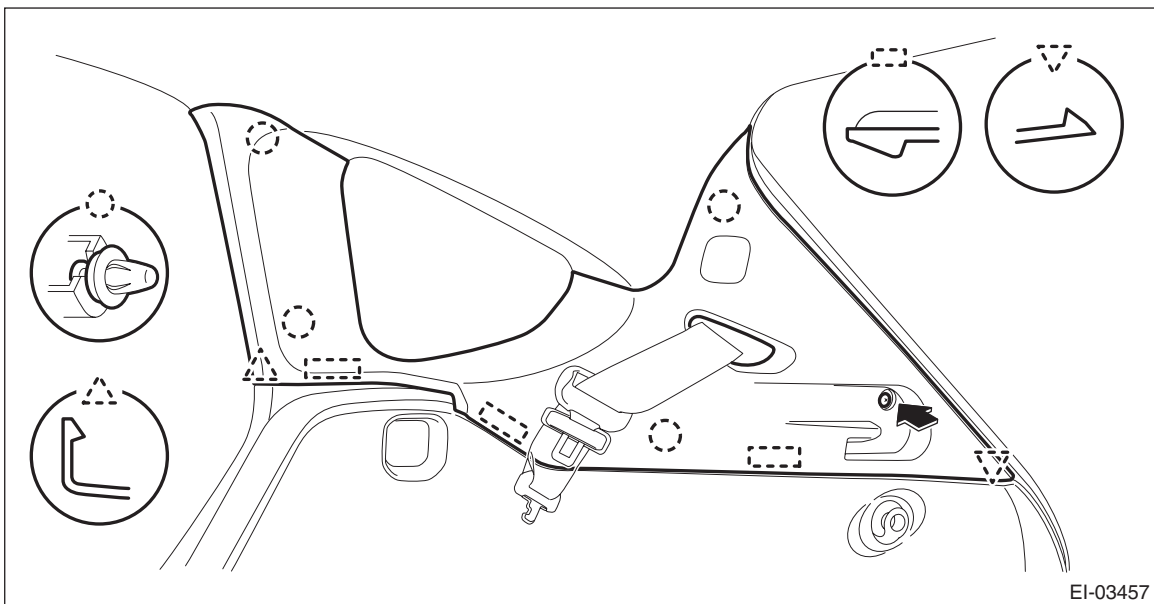
Rear Seat Belt

SEAT BELT SYSTEM

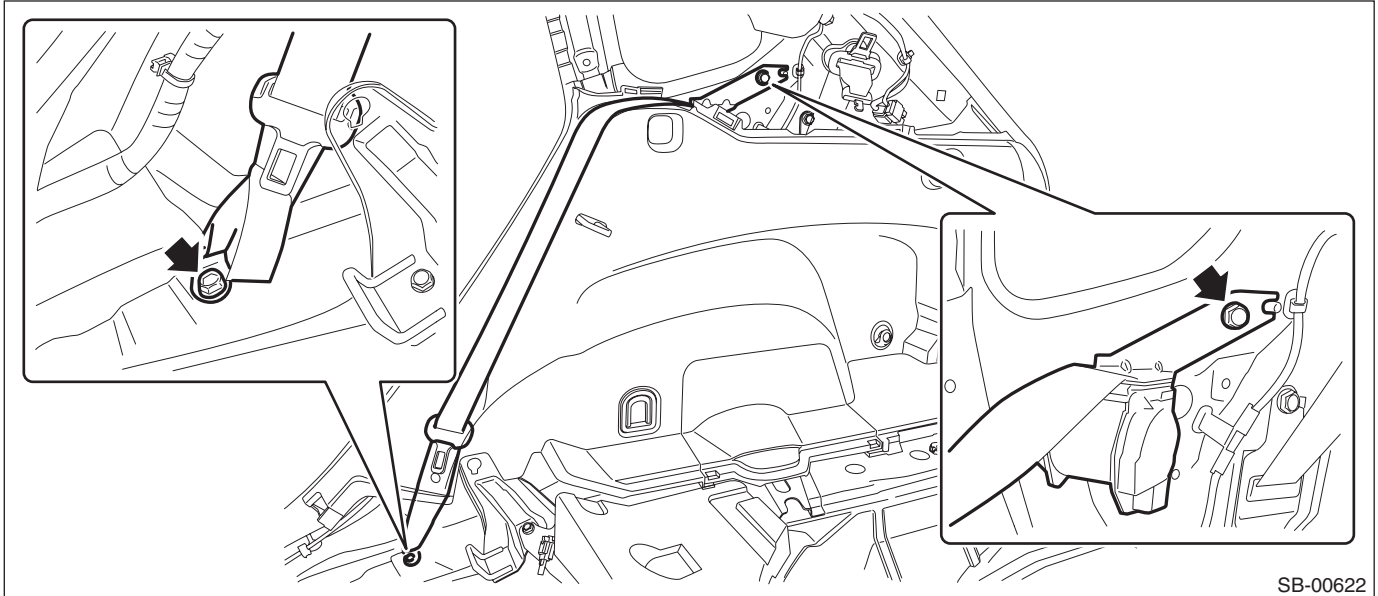
(4) Remove the hook (A) by pushing it back while lifting the front side of the rear seat cushion, and remove the rear seat cushion.



3) Remove the screws and clips, and remove the trim panel - rear quarter pillar UPR. (On the side where seat belt assembly is removed)



4) Remove the bolts, and remove the seat belt outer - rear.



SB-00622

3. SEAT BELT - REAR SHOULDER CTR (4 DOOR MODEL)

1) Disconnect the ground cable from battery and wait for at least 60 seconds before starting work.

CAUTION:

The airbag system is fitted with a backup power supply. After disconnecting the battery ground cable, the airbag may operate if you do not wait for 60 seconds before starting the service of airbag system.

2) Remove the rear seat cushion assembly.

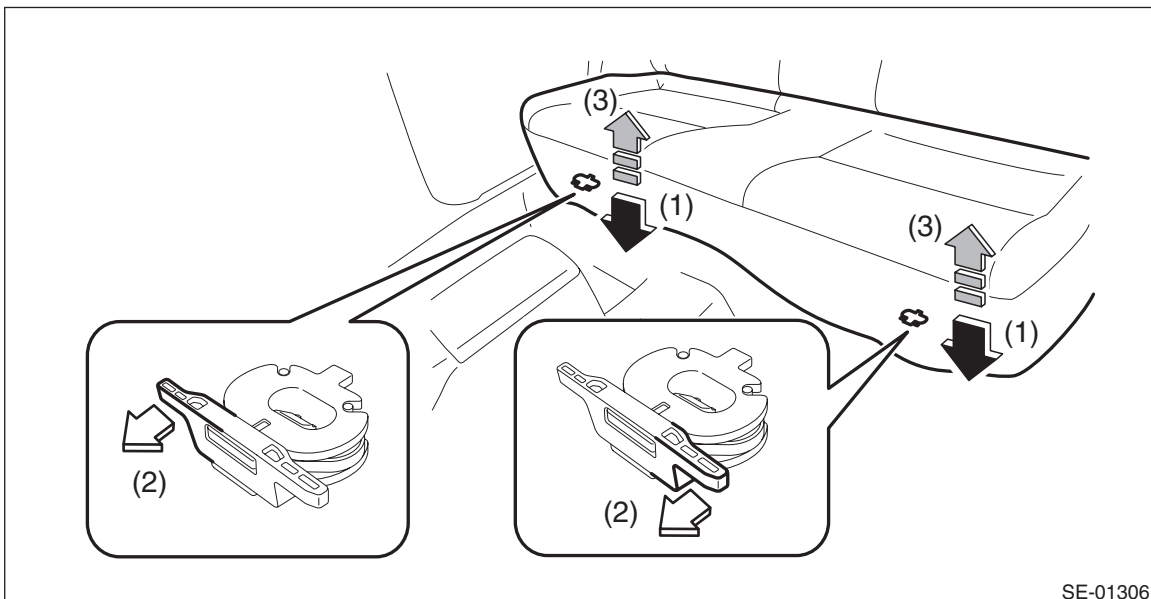
(1) Push the corners of the rear seat cushion from above.

(2) While pushing the corners of the rear seat cushion from above, pull the knob of the hook - seat cushion rear towards yourself.

(3) While pulling the knob towards yourself, disconnect the hooks by lifting up the rear seat cushion.

NOTE:

Pull the left side of the knob to disconnect the LH side hook, and pull the right side of the knob to disconnect the RH side hook.

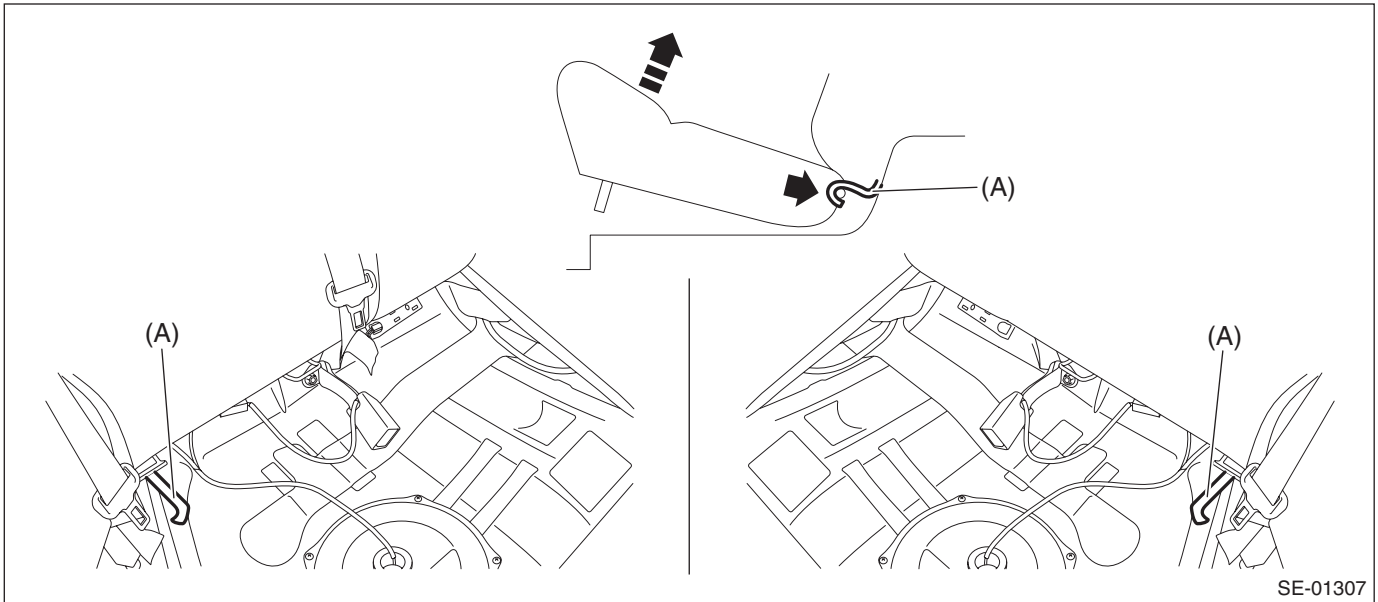


SE-01306

Rear Seat Belt

SEAT BELT SYSTEM

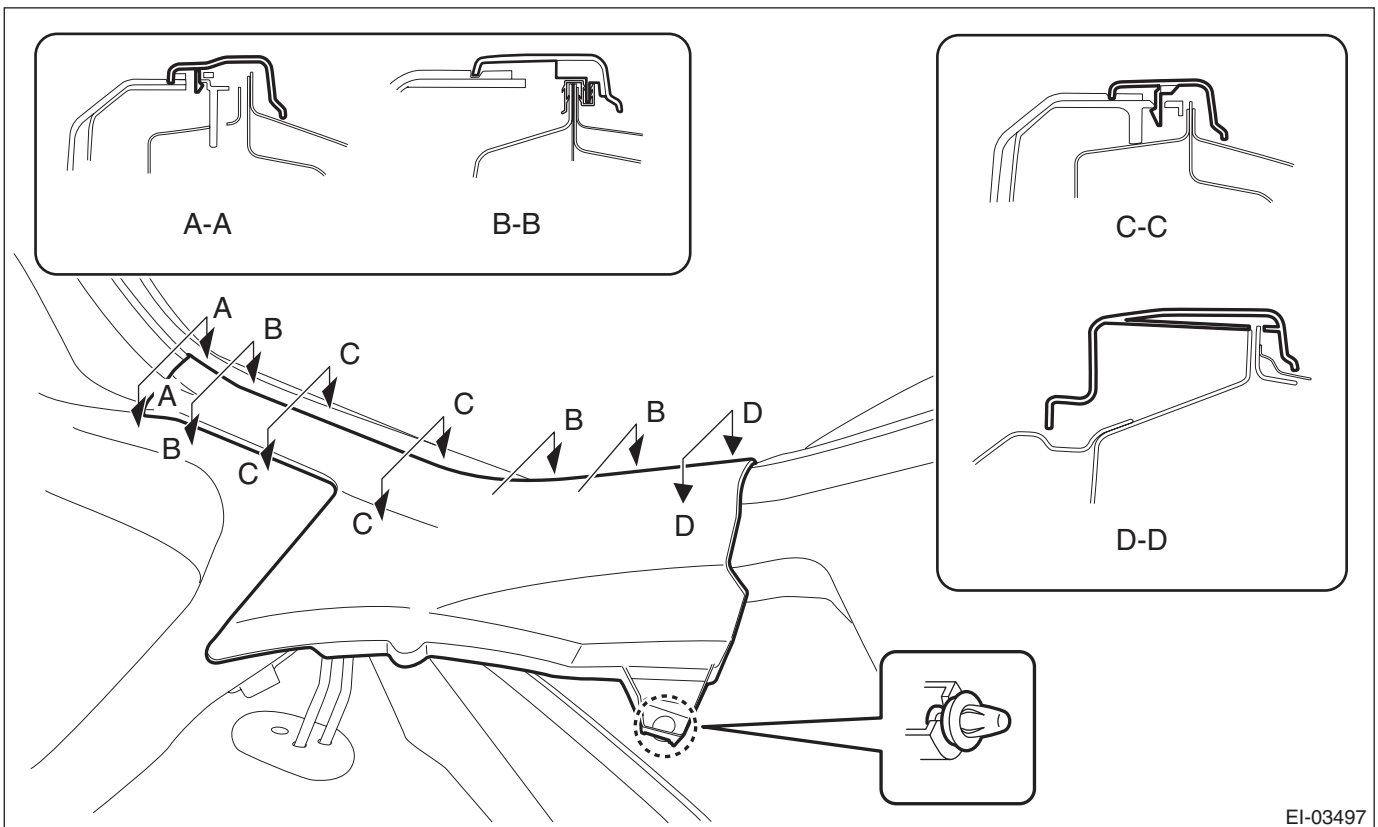
(4) Remove the hook (A) by pushing it back while lifting the front side of the rear seat cushion, and remove the rear seat cushion.



3) Release the clips and claws, and remove the side sill covers - rear INN on the left and right sides.

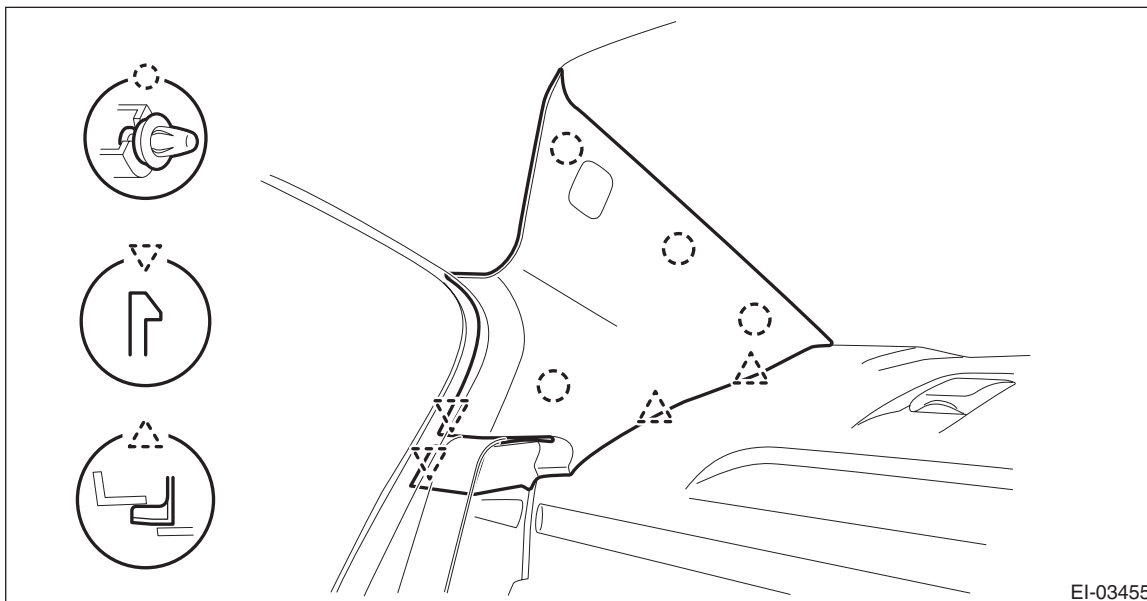
CAUTION:

Do not pull with excessive force. Doing so may damage the claws of the side sill cover - rear INN.



Rear Seat Belt

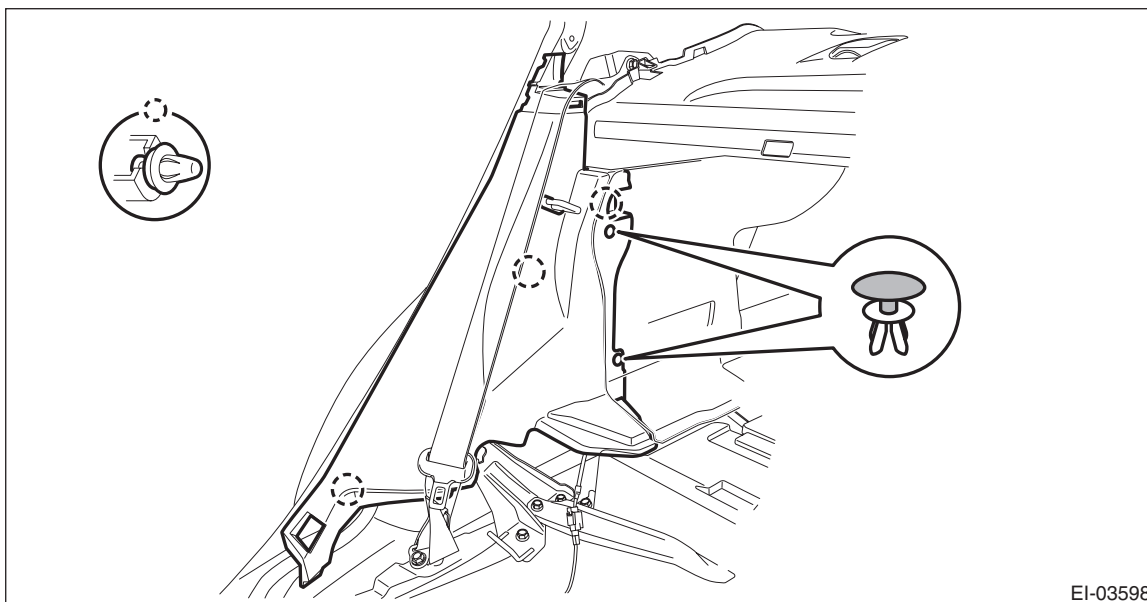
4) Remove the clips, and remove the trim panel - rear pillar UPR on the left and right sides.



5) Remove the trim panel - rear pillar LWR on the left and right sides.

(1) Remove the clips, and turn over the trim panel - trunk side.

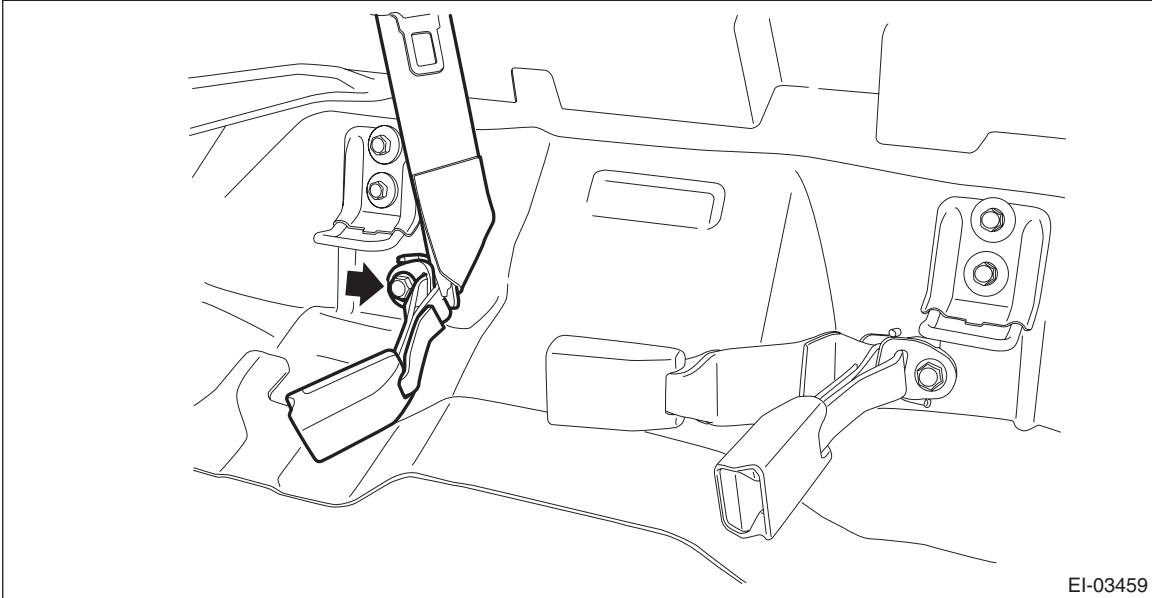
(2) Remove the clips, and remove the trim panel - rear pillar LWR.



Rear Seat Belt

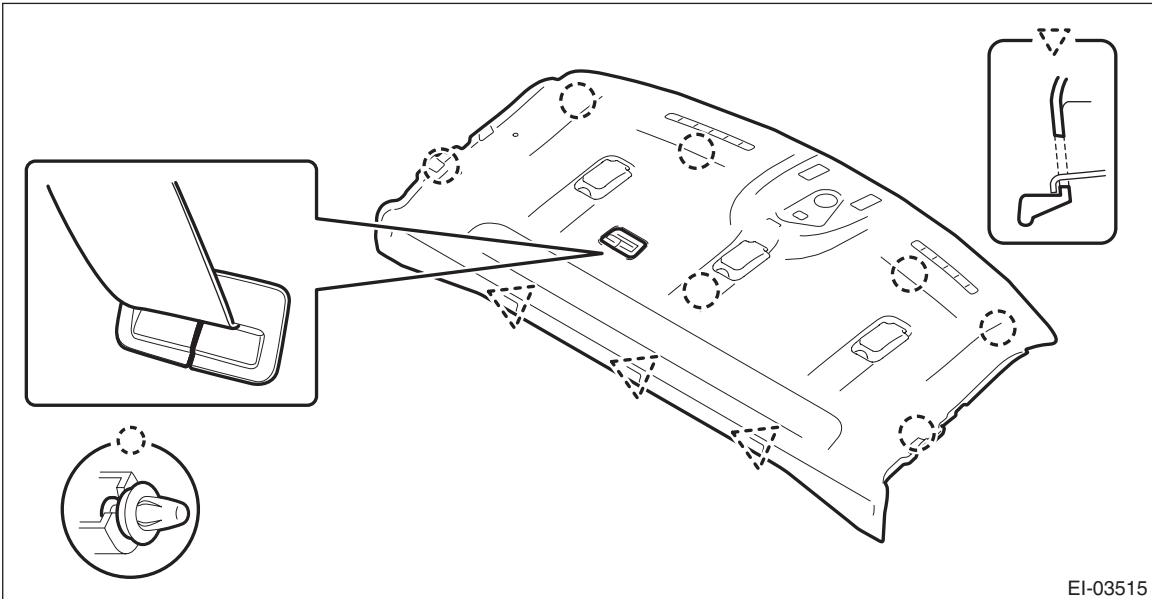
SEAT BELT SYSTEM

- 6) Remove the bolts, and remove the lower anchor of the seat belt - rear shoulder CTR.

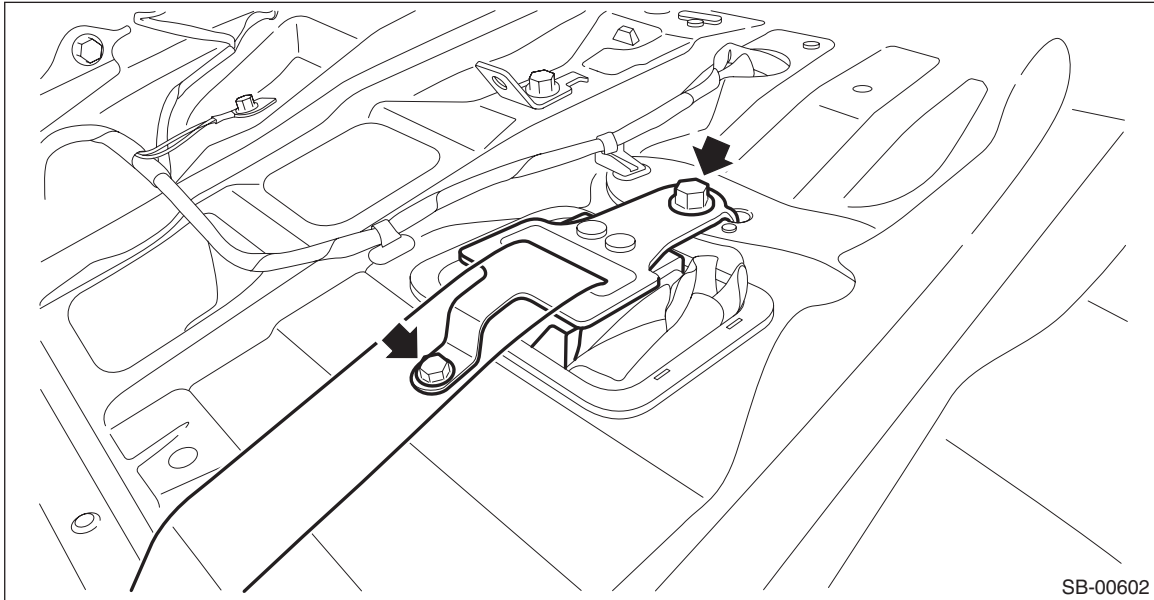


- 7) Remove the trim panel - rear shelf assembly.

- (1) Release the clips to float the trim panel assembly - rear shelf.
- (2) Release the belt guide, and guide the anchor of the seat belt - rear shoulder CTR to behind the trim panel - rear shelf assembly.
- (3) Disconnect the connector of high-mounted stop light.
- (4) Remove the trim panel assembly - rear shelf.



8) Remove the bolts, and remove the seat belt - rear shoulder CTR.



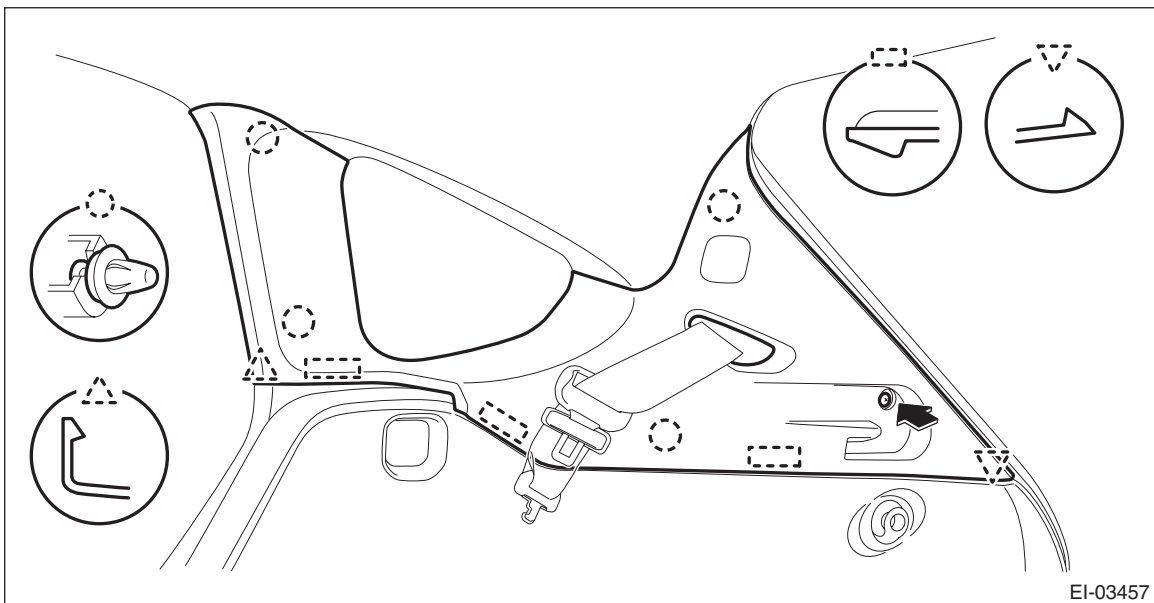
4. SEAT BELT - REAR SHOULDER CTR (5 DOOR MODEL/XV MODEL)

1) Disconnect the ground cable from battery and wait for at least 60 seconds before starting work.

CAUTION:

The airbag system is fitted with a backup power supply. After disconnecting the battery ground cable, the airbag may operate if you do not wait for 60 seconds before starting the service of airbag system.

2) Remove the screws and clips, and remove the trim panel - rear quarter pillar UPR RH.



Rear Seat Belt

SEAT BELT SYSTEM

3) Remove the rear seat cushion assembly.

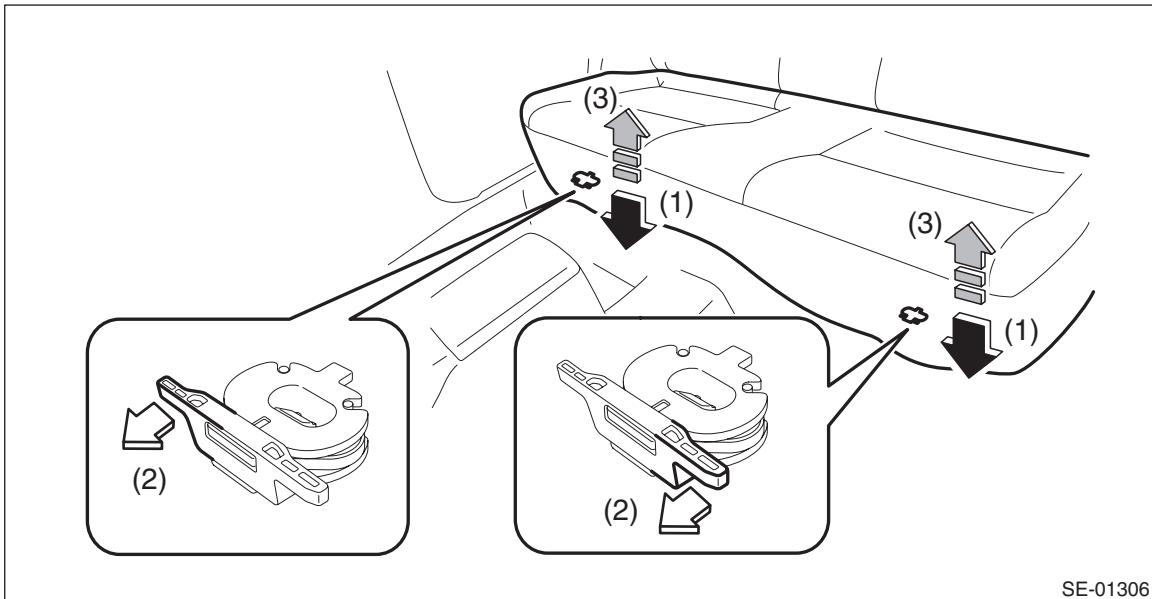
(1) Push the corners of the rear seat cushion from above.

(2) While pushing the corners of the rear seat cushion from above, pull the knob of the hook - seat cushion rear towards yourself.

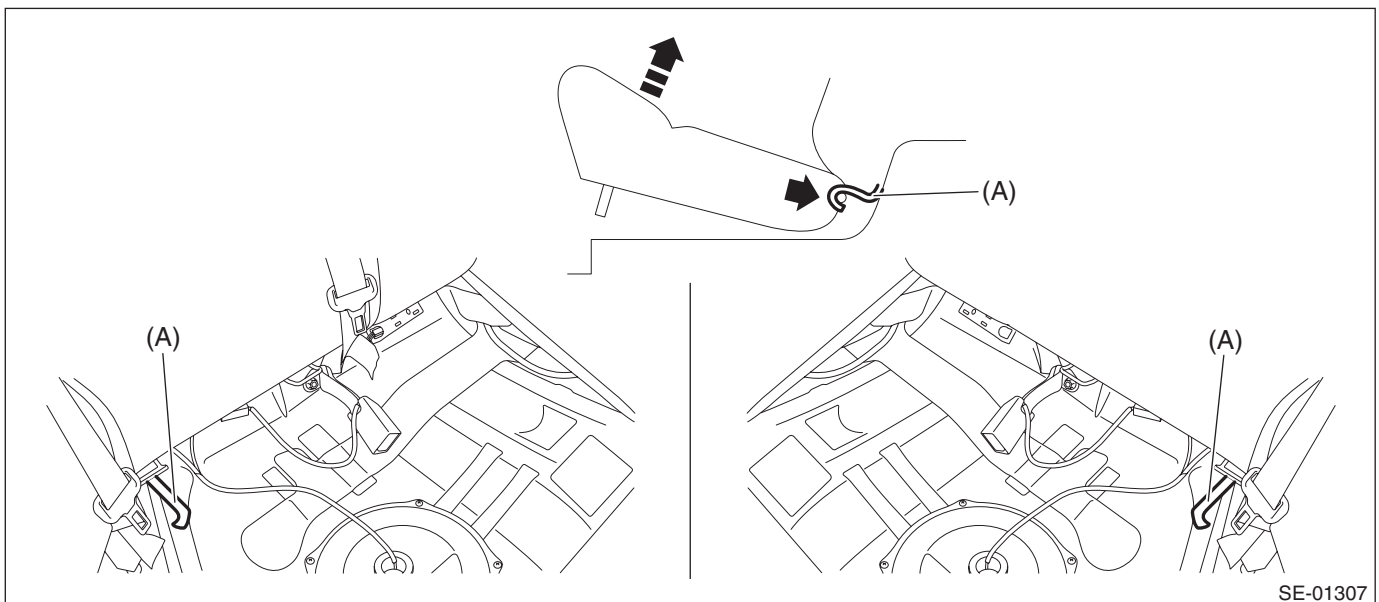
(3) While pulling the knob towards yourself, disconnect the hooks by lifting up the rear seat cushion.

NOTE:

Pull the left side of the knob to disconnect the LH side hook, and pull the right side of the knob to disconnect the RH side hook.



(4) Remove the hook (A) by pushing it back while lifting the front side of the rear seat cushion, and remove the rear seat cushion.

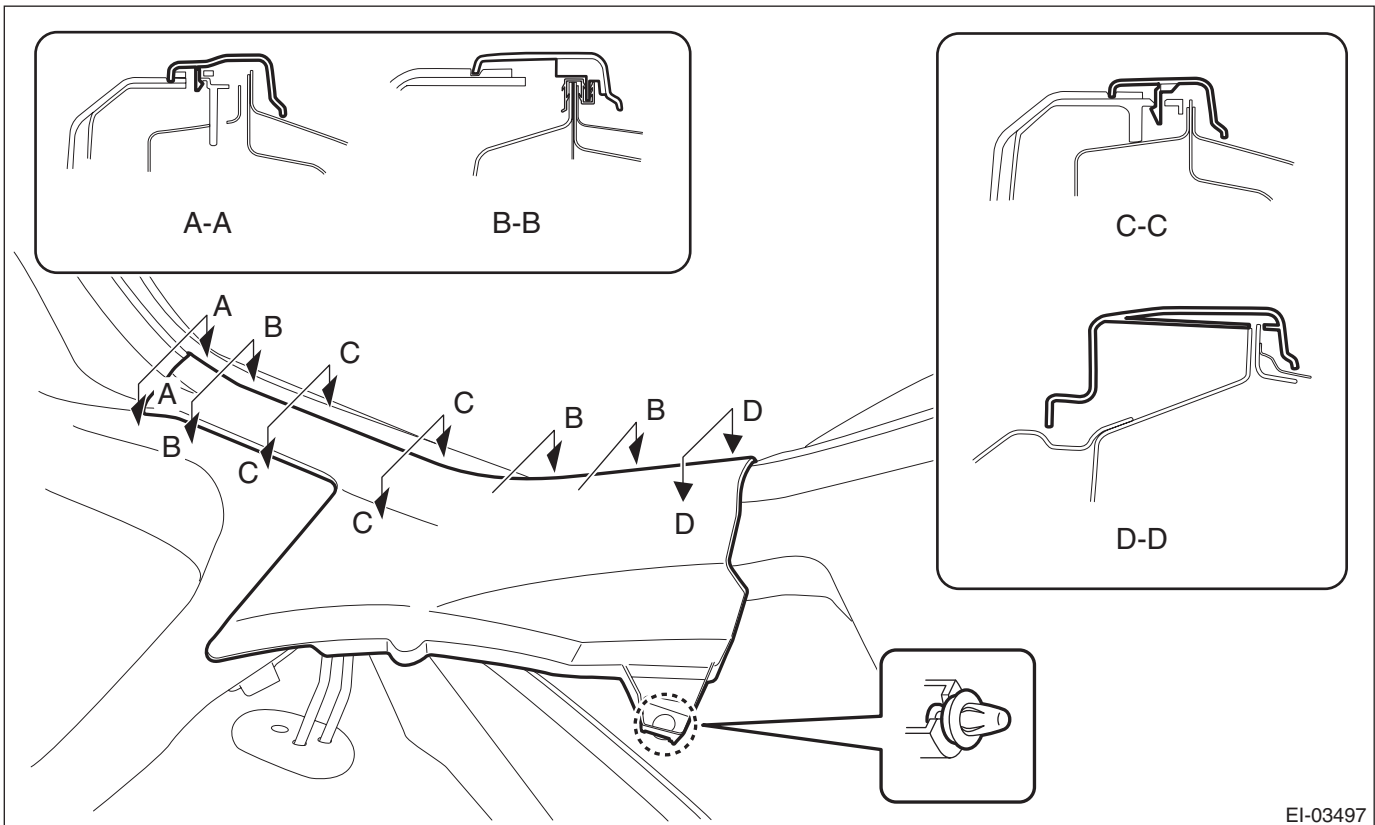


Rear Seat Belt

4) Release the clips and claws, and then remove the cover side sill - rear INN RH.

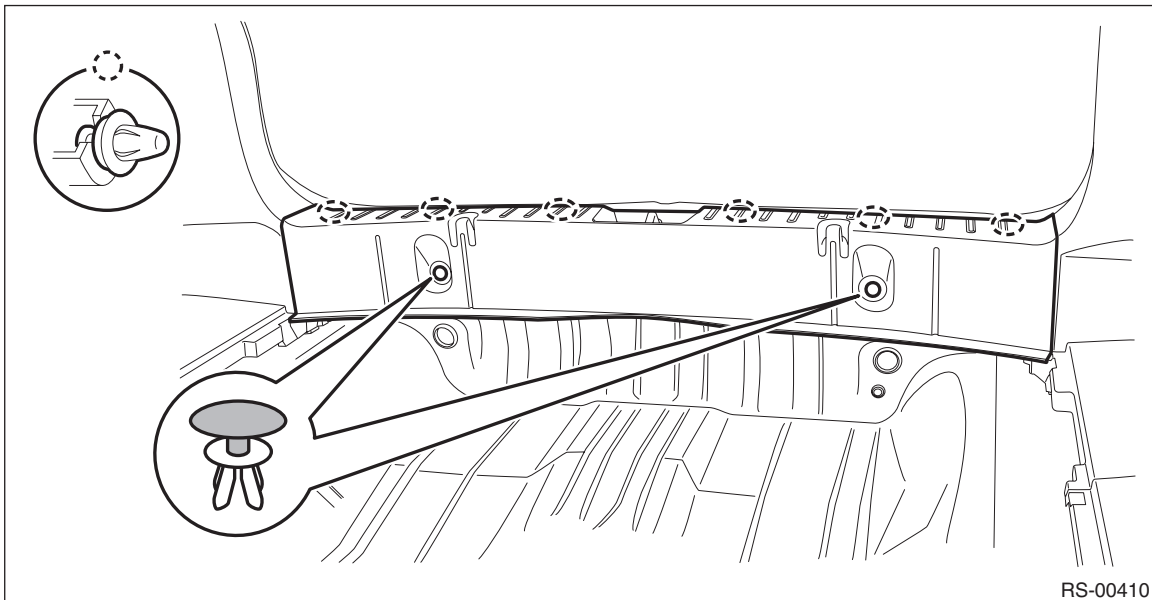
CAUTION:

Do not pull with excessive force. Doing so may damage the claws of the cover side sill - rear INN.



EI-03497

5) Remove the clips, and remove the trim panel - rear skirt.

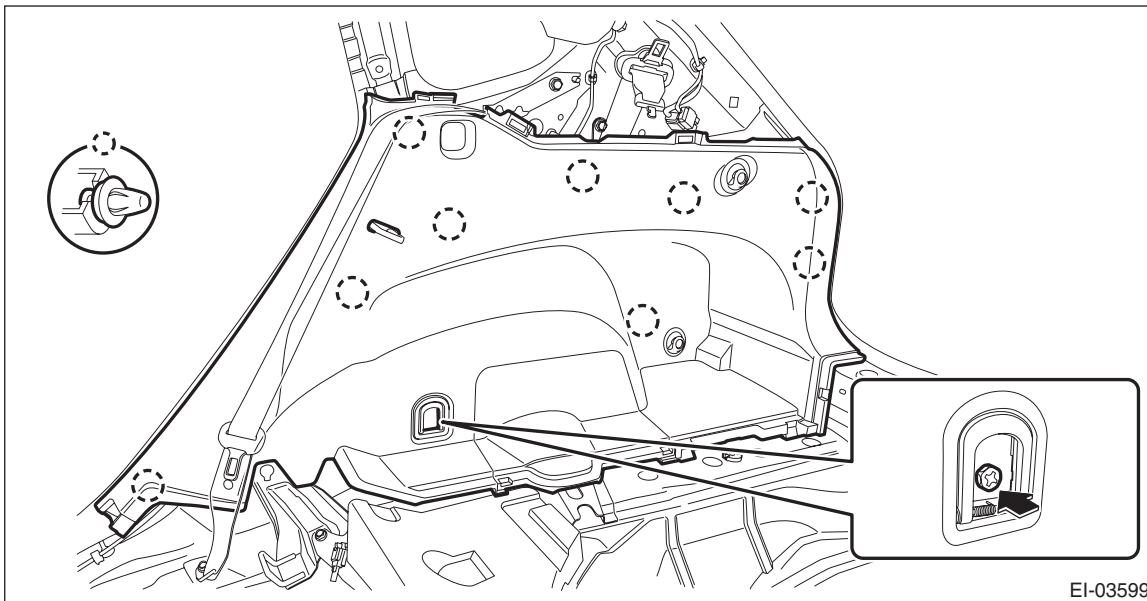


RS-00410

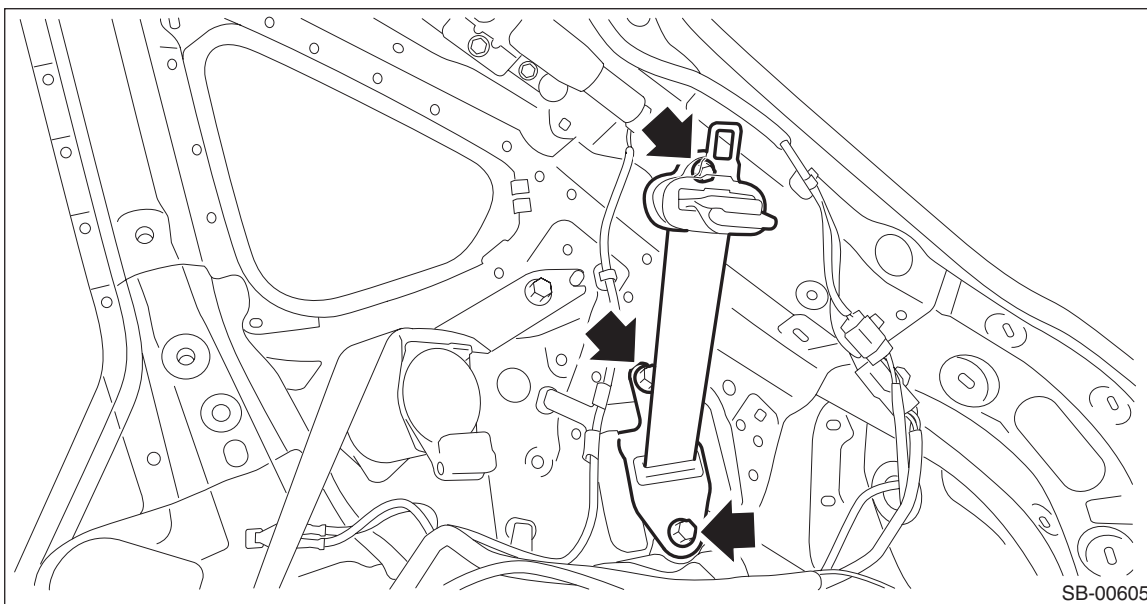
Rear Seat Belt

SEAT BELT SYSTEM

- 6) Remove the trim panel - rear apron RH.
 - (1) Remove the caps, and then remove the screws.
 - (2) Remove the clips, and remove the trim panel - rear apron RH.



- 7) Remove the bolts, and remove the seat belt - rear shoulder CTR.



5. SEAT BELT - CTR RH AND LH

1) Disconnect the ground cable from battery and wait for at least 60 seconds before starting work.

CAUTION:

The airbag system is fitted with a backup power supply. After disconnecting the battery ground cable, the airbag may operate if you do not wait for 60 seconds before starting the service of airbag system.

2) Remove the rear seat cushion assembly.

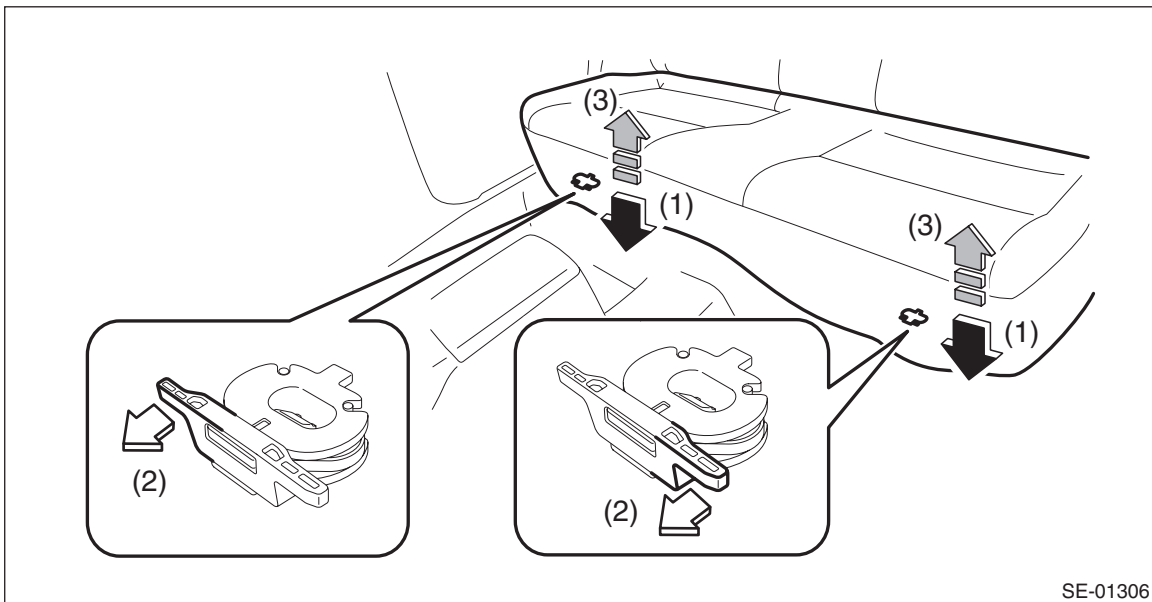
(1) Push the corners of the rear seat cushion from above.

(2) While pushing the corners of the rear seat cushion from above, pull the knob of the hook - seat cushion rear towards yourself.

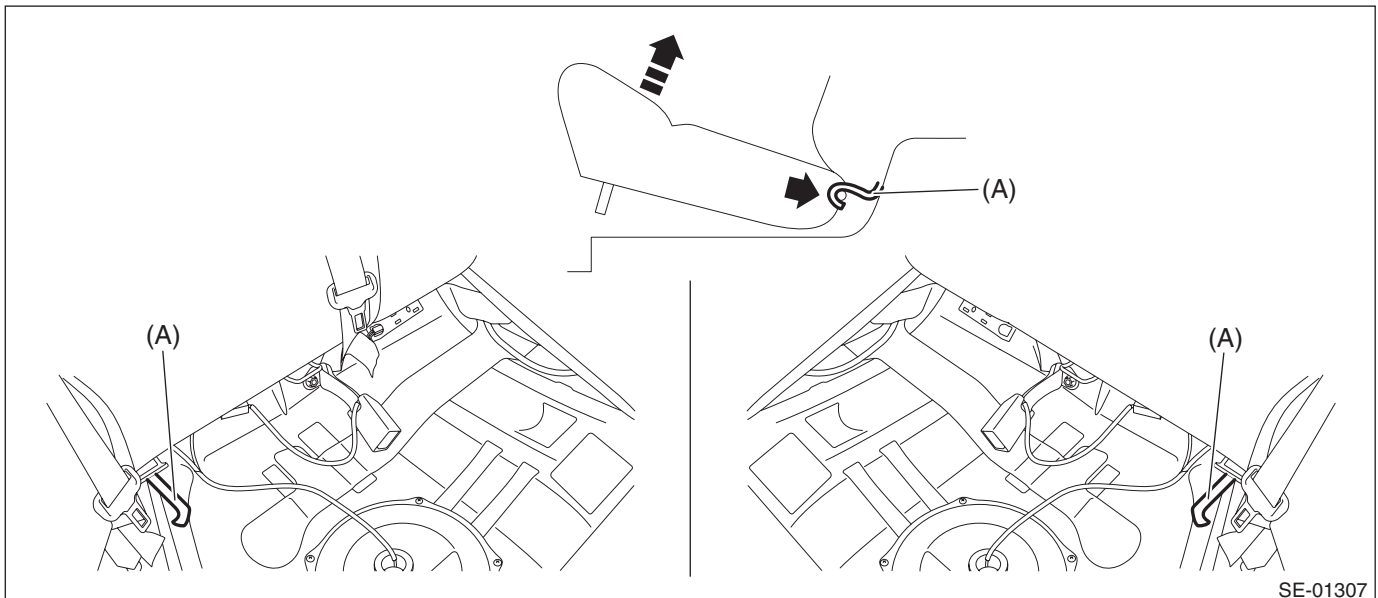
(3) While pulling the knob towards yourself, disconnect the hooks by lifting up the rear seat cushion.

NOTE:

Pull the left side of the knob to disconnect the LH side hook, and pull the right side of the knob to disconnect the RH side hook.



(4) Remove the hook (A) by pushing it back while lifting the front side of the rear seat cushion, and remove the rear seat cushion.

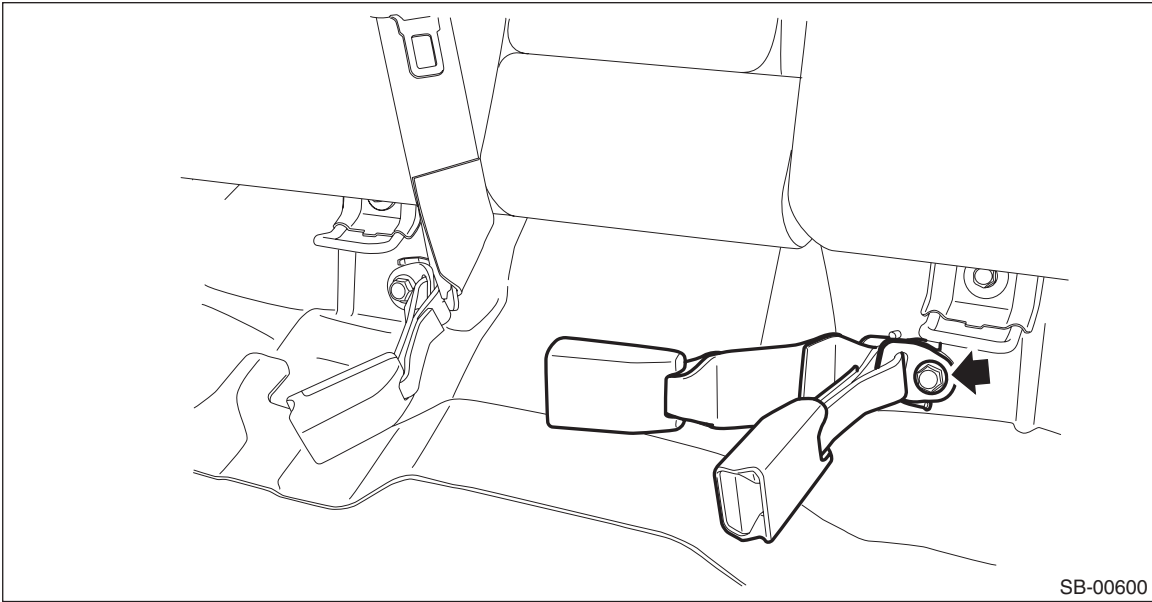


Rear Seat Belt

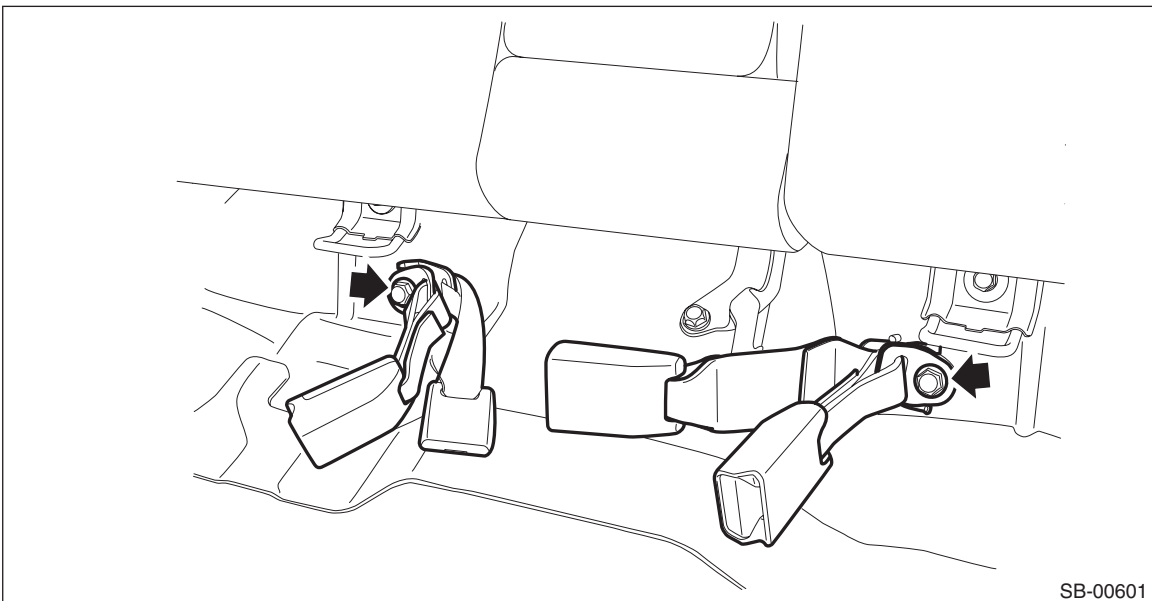
SEAT BELT SYSTEM

3) Remove the bolts, and remove the seat belt - CTR RH and LH.

- 4 door model: Seat belt - CTR LH



- 5 door model/XV model: Seat belt - CTR RH and LH



B: INSTALLATION

1. SEAT BELT OUTER - REAR RH AND LH (4 DOOR MODEL)

- 1) Before installation, perform a unit inspection of retractor. <Ref. to SB-46, INSPECTION, Rear Seat Belt.>
- 2) Install the seat belt outer - rear.

CAUTION:

- During installation, make sure that the seat belts are not twisted.
- After installation, make sure that the seat belts are smoothly extended and wound.

Tightening torque:

Rear seat belt (4 door model): <Ref. to SB-3, REAR SEAT BELT (4 DOOR MODEL), COMPONENT, General Description.>

- 3) Install the remaining parts in the reverse order of removal.
- 4) After installation, check the following points.
 - The seat belt is not twisted.
 - The seat belt can be pulled out and retracted smoothly.

2. SEAT BELT OUTER - REAR RH AND LH (5 DOOR MODEL/XV MODEL)

- 1) Before installation, perform a unit inspection of retractor. <Ref. to SB-46, INSPECTION, Rear Seat Belt.>
- 2) Install the seat belt outer - rear.

CAUTION:

- During installation, make sure that the seat belts are not twisted.
- After installation, make sure that the seat belts are smoothly extended and wound.

Tightening torque:

Rear seat belt (5 door model/XV model): <Ref. to SB-4, REAR SEAT BELT (5 DOOR MODEL/XV MODEL), COMPONENT, General Description.>

- 3) Install the trim panel - rear quarter trim UPR.
- 4) Install the remaining parts in the reverse order of removal.
- 5) After installation, check the following points.
 - The seat belt is not twisted.
 - The seat belt can be pulled out and retracted smoothly.

3. SEAT BELT - REAR SHOULDER CTR (4 DOOR MODEL)

- 1) Install the retractor of seat belt - rear shoulder CTR.

Tightening torque:

Rear seat belt (4 door model): <Ref. to SB-3, REAR SEAT BELT (4 DOOR MODEL), COMPONENT, General Description.>

- 2) Install the trim panel assembly - rear shelf.
- 3) Install the lower anchor of seat belt - rear shoulder CTR.

CAUTION:

- During installation, make sure that the seat belts are not twisted.
- After installation, make sure that the seat belts are smoothly extended and wound.

Tightening torque:

Rear seat belt (4 door model): <Ref. to SB-3, REAR SEAT BELT (4 DOOR MODEL), COMPONENT, General Description.>

- 4) Install the remaining parts in the reverse order of removal.
- 5) After installation, check the following points.
 - The seat belt is not twisted.
 - The seat belt can be pulled out and retracted smoothly.

Rear Seat Belt

SEAT BELT SYSTEM

4. SEAT BELT - REAR SHOULDER CTR (5 DOOR MODEL/XV MODEL)

1) Install the seat belt - rear shoulder CTR.

Tightening torque:

Rear seat belt (5 door model/XV model): <Ref. to SB-4, REAR SEAT BELT (5 DOOR MODEL/XV MODEL), COMPONENT, General Description.>

2) Install the remaining parts in the reverse order of removal.

3) After installation, check the following points.

- The seat belt is not twisted.
- The seat belt can be pulled out and retracted smoothly.

5. SEAT BELT - CTR RH AND LH

1) Install the seat belt - CTR RH/LH.

Tightening torque:

Rear seat belt (4 door model): <Ref. to SB-3, REAR SEAT BELT (4 DOOR MODEL), COMPONENT, General Description.>

Rear seat belt (5 door model/XV model): <Ref. to SB-4, REAR SEAT BELT (5 DOOR MODEL/XV MODEL), COMPONENT, General Description.>

2) Install the rear seat cushion.

3) Install the remaining parts in the reverse order of removal.

4) After installation, check the following points.

- The seat belt is not twisted.
- Check that the airbag warning light lights up for approximately 6 seconds and then turns off when connecting the battery ground cable and turning the ignition switch to ON.

C: INSPECTION

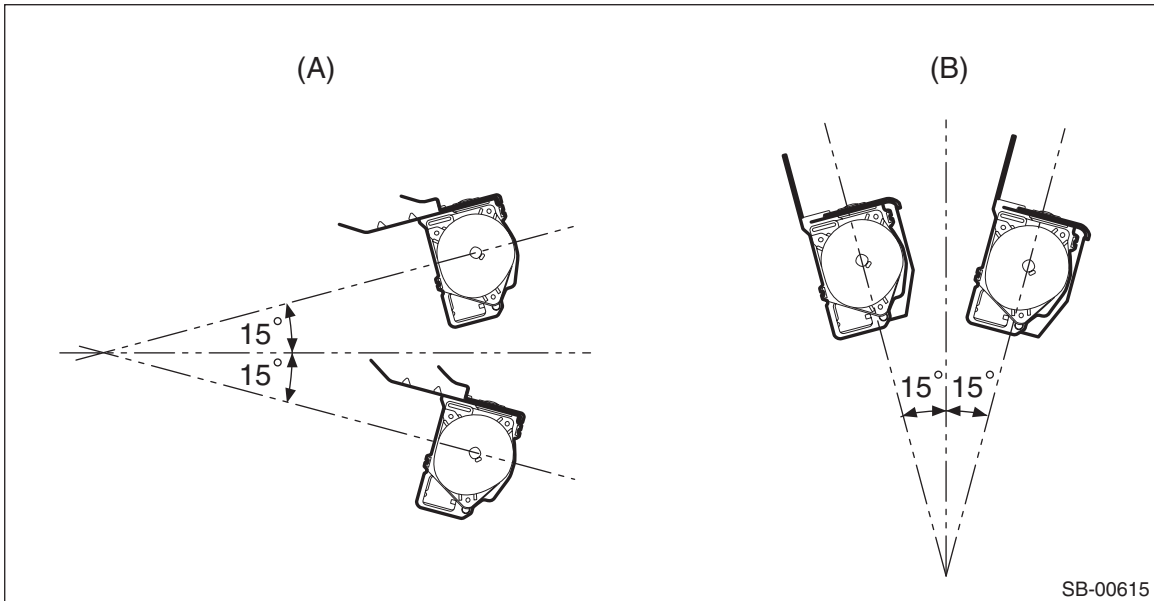
1. VISUAL INSPECTION

Check for the following, and replace with new parts if necessary.

- Seat belt is slackened, bent or worn.
- Seat belt is abnormally wound or extended.
- Seat belt inner - rear is deformed or damaged.
- Seat belt buckle cannot be engaged properly.

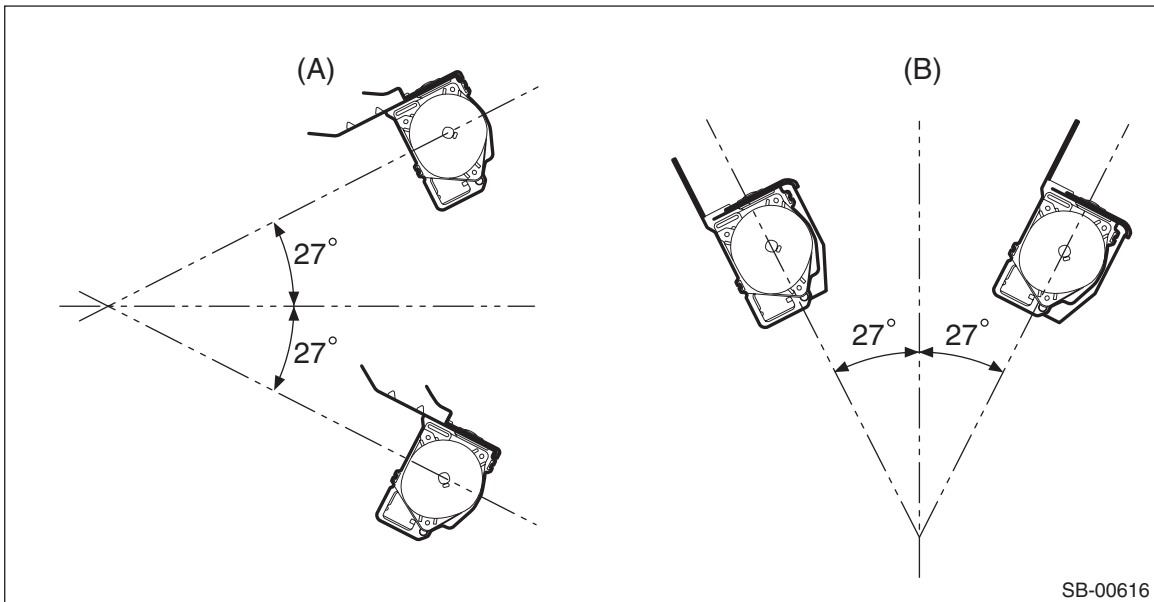
2. ELR LOCK MECHANISM INSPECTION

- 1) Hold the retractor upright (as installed in the vehicle) and check the ELR lock mechanism.
- 2) Tilt the retractor from the upright posture and check the following points.
 - It does not lock if the inclination angle is 15° or less.



- (A) Except for seat belt - rear shoulder CTR (5 door model/XV model) (B) Seat belt - rear shoulder CTR (5 door model/XV model)

- It remains locked if the inclination angle is 27° or more.



- (A) Except for seat belt - rear shoulder CTR (5 door model/XV model) (B) Seat belt - rear shoulder CTR (5 door model/XV model)

- 3) If the ELR lock mechanism does not operate properly, replace the seat belt outer - rear with a new part.

Rear Seat Belt

SEAT BELT SYSTEM

LIGHTING SYSTEM



	Page
1. General Description	2
2. Relay and Fuse	4
3. Headlight System	6
4. Day Time Running Light System	8
5. Clearance Light and Illumination Light System	9
6. Front Fog Light System	10
7. Turn Signal Light and Hazard Light System	11
8. Back-up Light System	12
9. Stop Light System	13
10. Interior Light System	14
11. Auto Headlight Beam Leveler System	15
12. Combination Switch (Light)	18
13. Light Control Sensor	25
14. Headlight Assembly	27
15. Headlight Bulb	36
16. Hazard Switch	46
17. Turn Signal Light & Hazard Light Module	48
18. Front Turn Signal Light Bulb	50
19. Clearance/Parking Light Bulb	51
20. Front Side Marker Light Bulb	52
21. Front Fog Light Assembly	53
22. Front Fog Light Bulb	56
23. Side Turn Signal Light Assembly	57
24. Rear Combination Light Assembly	58
25. Tail/Stop Light Bulb	61
26. Rear Turn Signal Light Bulb	64
27. Rear Side Marker Light Bulb	67
28. Back-up Light Bulb	69
29. License Plate Light	72
30. High-mounted Stop Light	74
31. Spot Map Light	78
32. Room Light	80
33. Luggage Room Light	82
34. Trunk Room Light	84
35. Glove Box Light	85
36. Ignition Switch Illumination	87
37. Auto Headlight Beam Leveler Control Module	89
38. Rear Height Sensor	91
39. Day Time Running Resistor	93
40. Reflex Reflector	94
41. Door Switch	95