

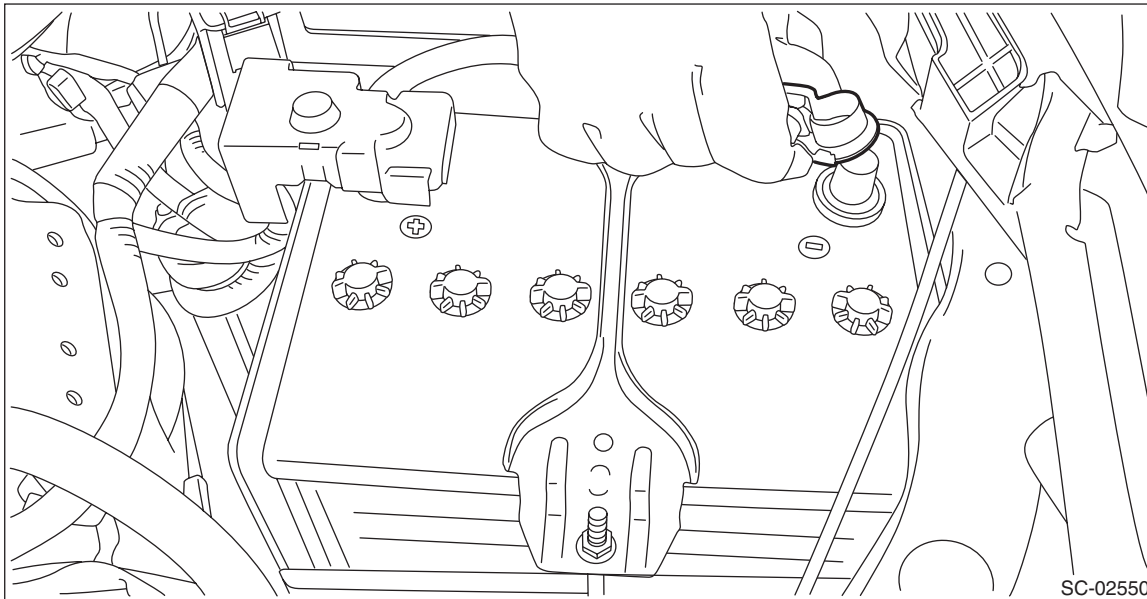
Front Oxygen (A/F) Sensor

FUEL INJECTION (FUEL SYSTEMS)

18. Front Oxygen (A/F) Sensor

A: REMOVAL

1) Disconnect the ground cable from battery.

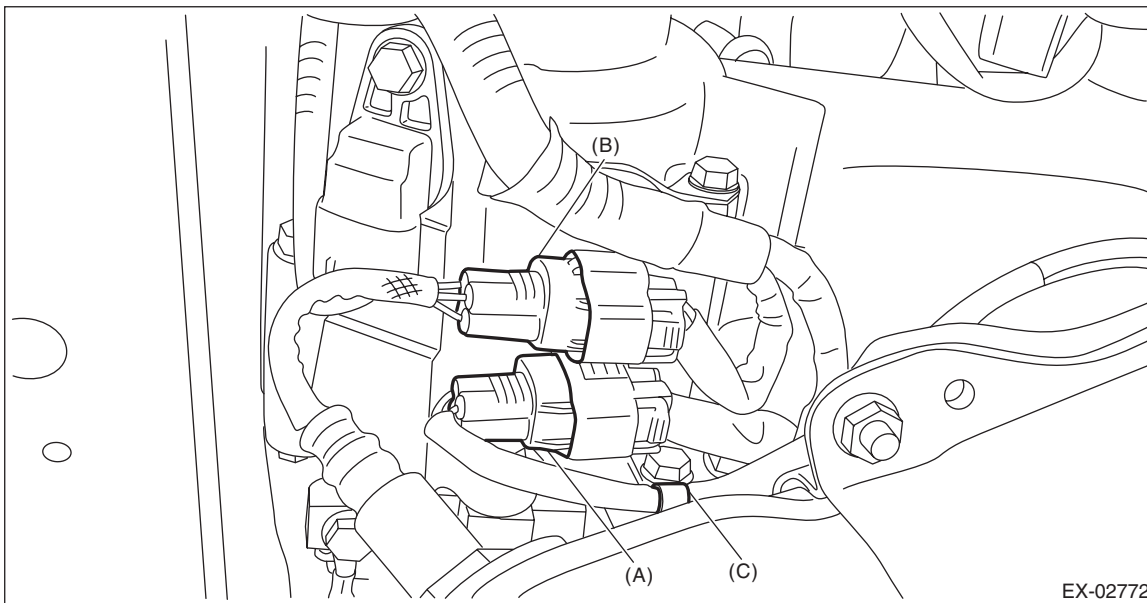


2) Remove the radiator sub fan. <Ref. to CO(H4DO)-47, REMOVAL, Radiator Sub Fan and Fan Motor.>

3) Lift up the vehicle.

4) Remove the under cover. <Ref. to EI-27, REMOVAL, Front Under Cover.>

5) Disconnect the front oxygen (A/F) sensor connector, and remove the clip holding the front oxygen (A/F) sensor harness.



(A) Front oxygen (A/F) sensor connector

(B) Rear oxygen sensor connector

(C) Clip

6) Lower the vehicle.

7) Apply spray-type lubricant to the threaded portion of front oxygen (A/F) sensor, and leave it for one minute or more.

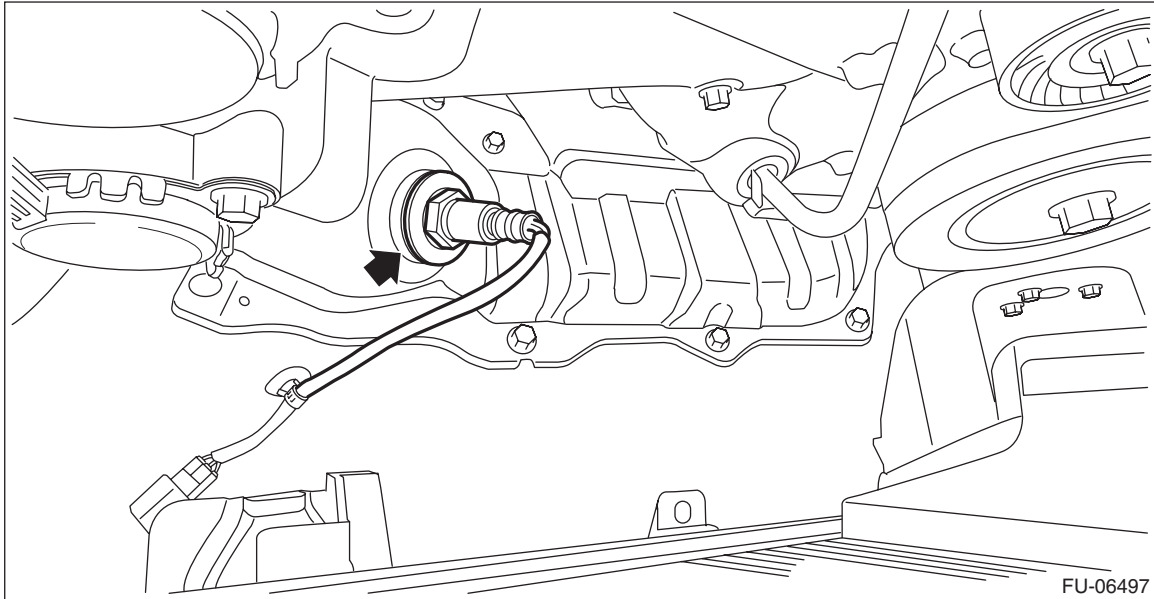
Front Oxygen (A/F) Sensor

FUEL INJECTION (FUEL SYSTEMS)

8) Remove the front oxygen (A/F) sensor.

CAUTION:

When removing the front oxygen (A/F) sensor, wait until exhaust pipe cools, otherwise it will damage the exhaust pipe.



B: INSTALLATION

CAUTION:

If lubricant is spilt over the exhaust pipe, wipe it off with cloth to avoid emission of smoke or causing a fire.

1) Before installing front oxygen (A/F) sensor, apply anti-seize compound only to the threaded portion of front oxygen (A/F) sensor to make the next removal easier.

CAUTION:

Never apply anti-seize compound to the protector of front oxygen (A/F) sensor.

Anti-seize compound:

NEVER-SEEZ NSN, JET LUBE SS-30 or equivalent

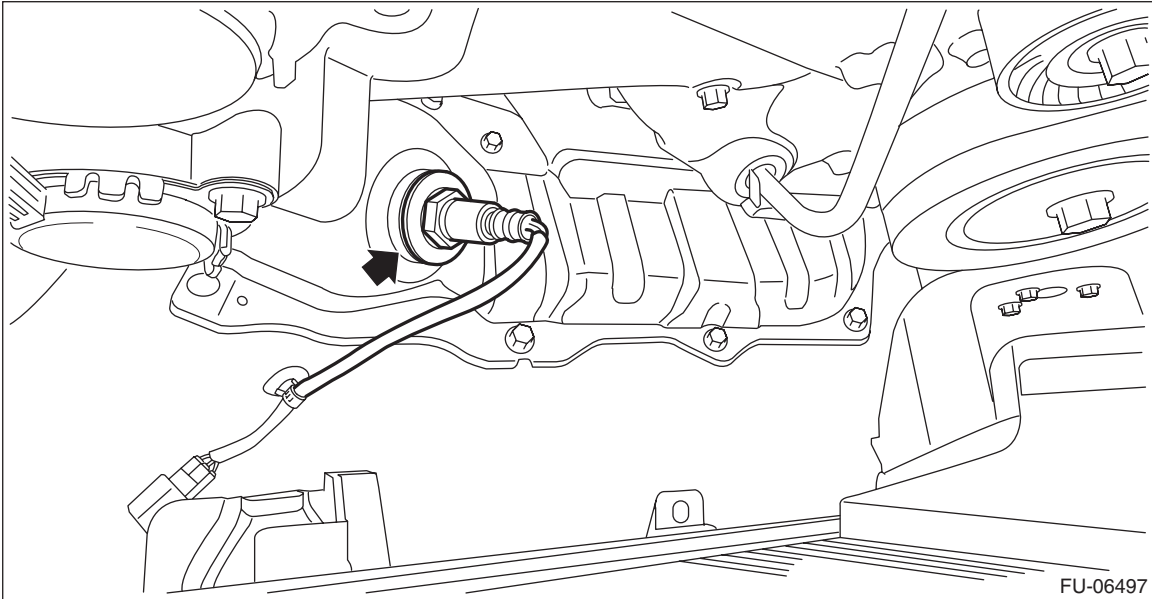
Front Oxygen (A/F) Sensor

FUEL INJECTION (FUEL SYSTEMS)

2) Install the front oxygen (A/F) sensor.

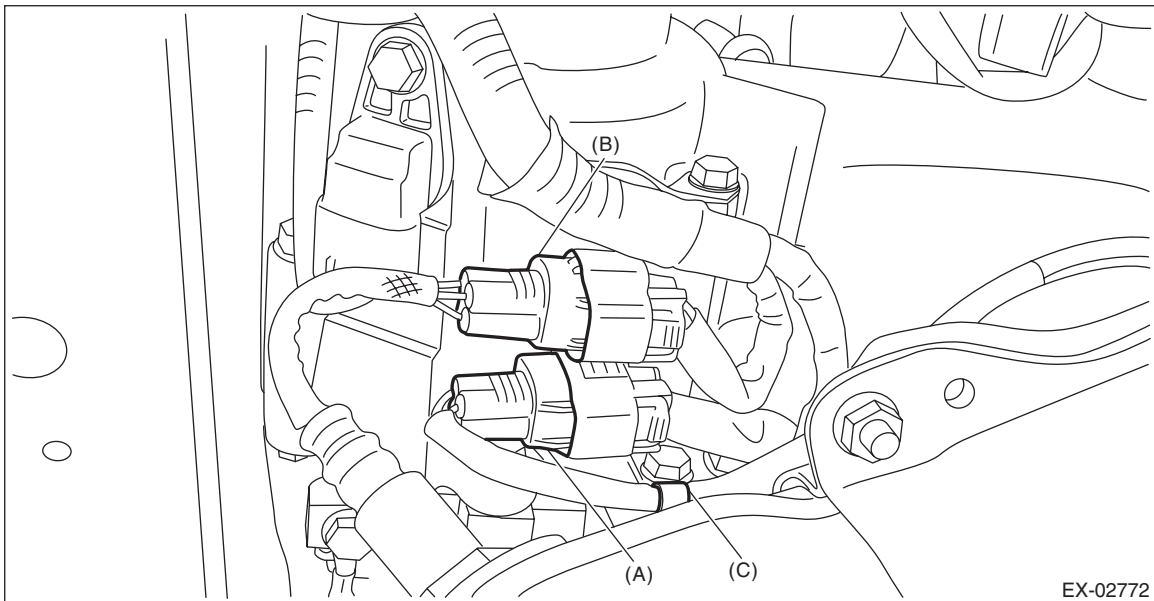
Tightening torque:

21 N·m (2.1 kgf-m, 15.5 ft-lb)



3) Lift up the vehicle.

4) Connect the front oxygen (A/F) sensor connector, and secure the front oxygen (A/F) sensor harness by using the clip.



(A) Front oxygen (A/F) sensor connector

(B) Rear oxygen sensor connector

(C) Clip

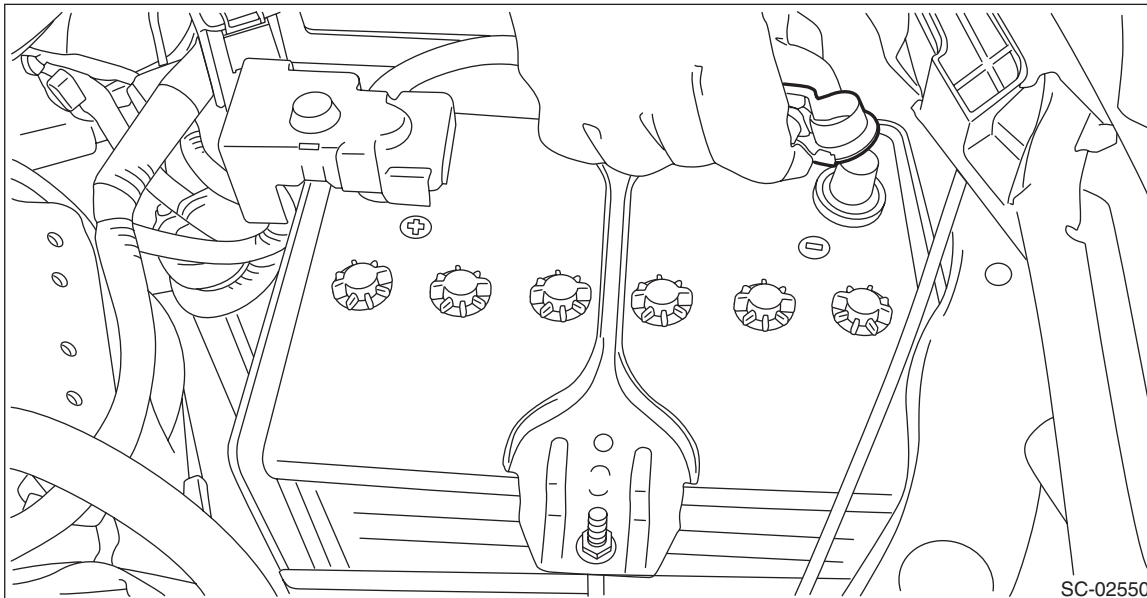
5) Install the under cover. <Ref. to EI-27, INSTALLATION, Front Under Cover.>

6) Lower the vehicle.

7) Install the radiator sub fan. <Ref. to CO(H4DO)-48, INSTALLATION, Radiator Sub Fan and Fan Motor.>

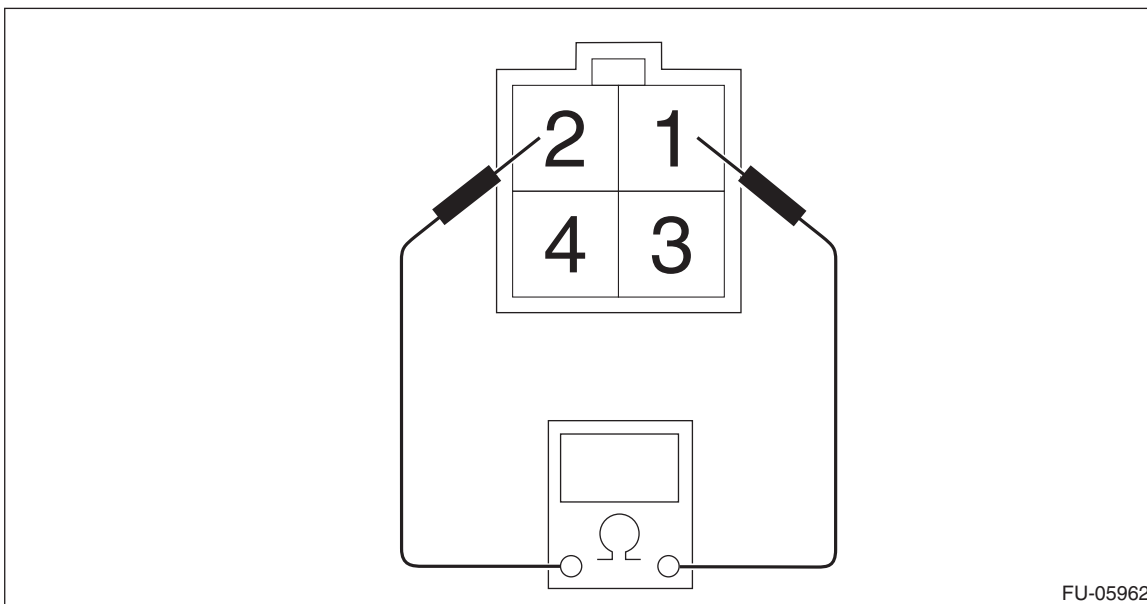
Front Oxygen (A/F) Sensor

8) Connect the battery ground terminal.



C: INSPECTION

- 1) Check that the front oxygen (A/F) sensor has no deformation, cracks or other damages.
- 2) Measure the resistance between front oxygen (A/F) sensor terminals.



Terminal No.	Standard
1 and 2	$2.2^{+0.45}_{-0.22} \Omega$ (when 20°C (68°F))