

## 13. Light Control Sensor

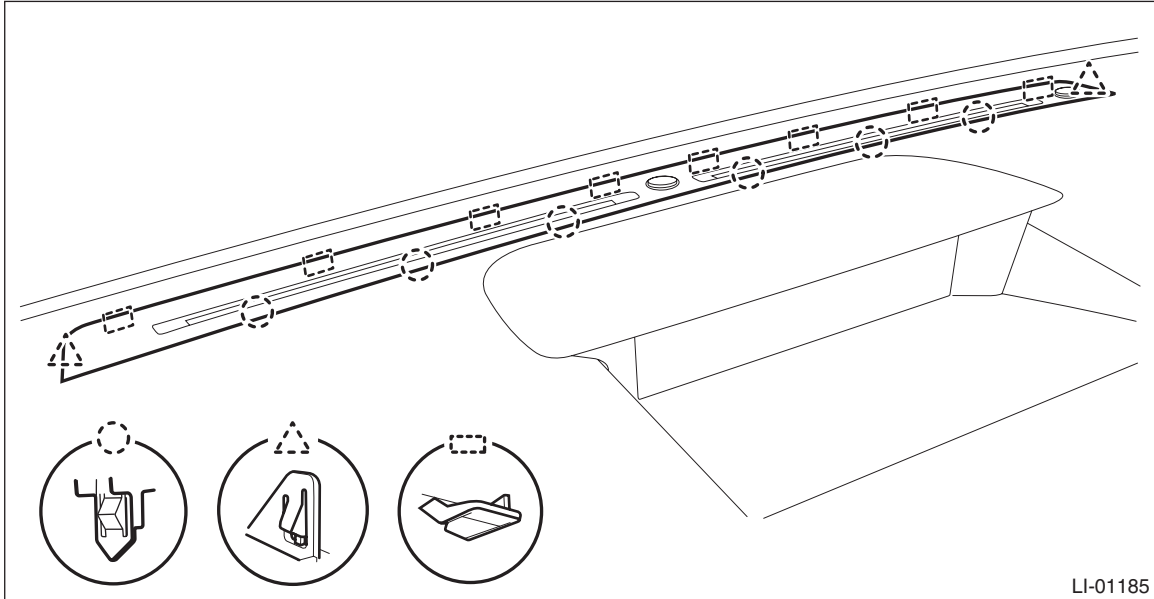
### A: REMOVAL

- 1) Disconnect the ground cable from battery.
- 2) Remove the sensor - automatic light.

#### CAUTION:

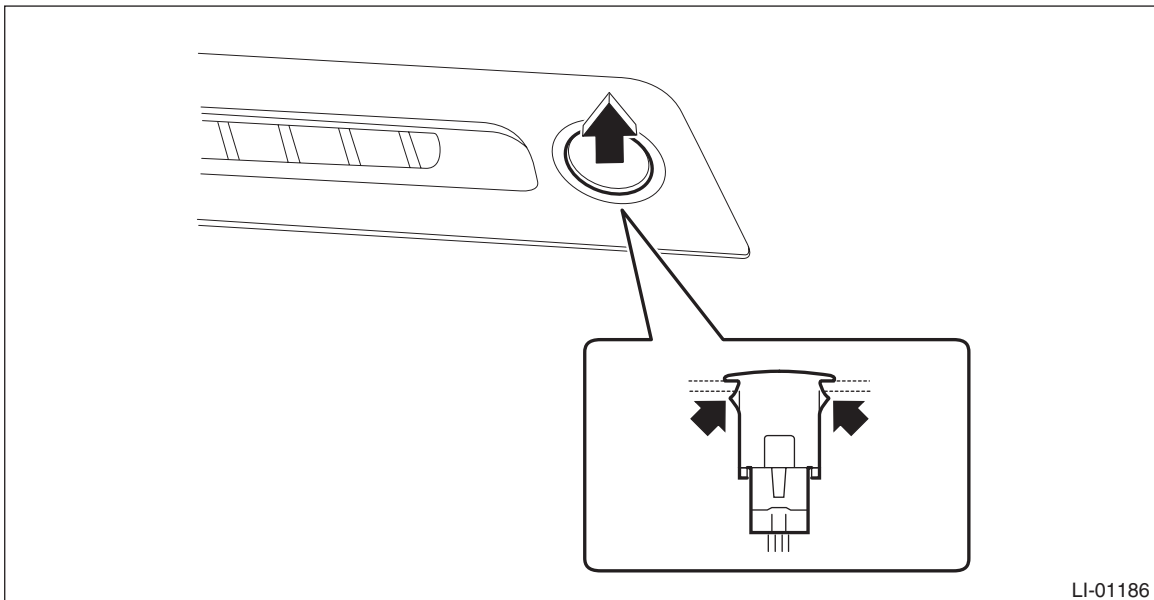
**Be careful not to damage the sensors and interior trims when removing.**

- (1) Release the connector and claws, and remove the panel COMPL - instrument UPR.



LI-01185

- (2) Release the claws, and remove the sensor - automatic light from the panel COMPL - instrument UPR.



LI-01186

### B: INSTALLATION

Install each part in the reverse order of removal.

# Light Control Sensor

LIGHTING SYSTEM

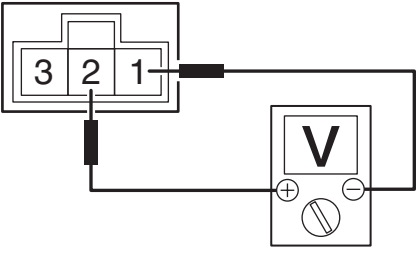
## C: INSPECTION

### UNIT INSPECTION

#### Preparation tool:

##### Circuit tester

- 1) Turn the ignition switch to ON.
- 2) Set the lighting switch to AUTO position.
- 3) Check the voltage between the sensor terminals.

Terminal No.	Inspection conditions	Standard	Connection diagram
2 (+) — 1 (-)	Measure the voltage when the area around the sensor - automatic light, which was dark, becomes bright.	Dark condition: Approx. 0.6 V or less  Bright condition: Approx. 3.0 V or more	 <p>LI-01280</p>

- 4) Replace the sensor - automatic light if the inspection result is not within the standard value.