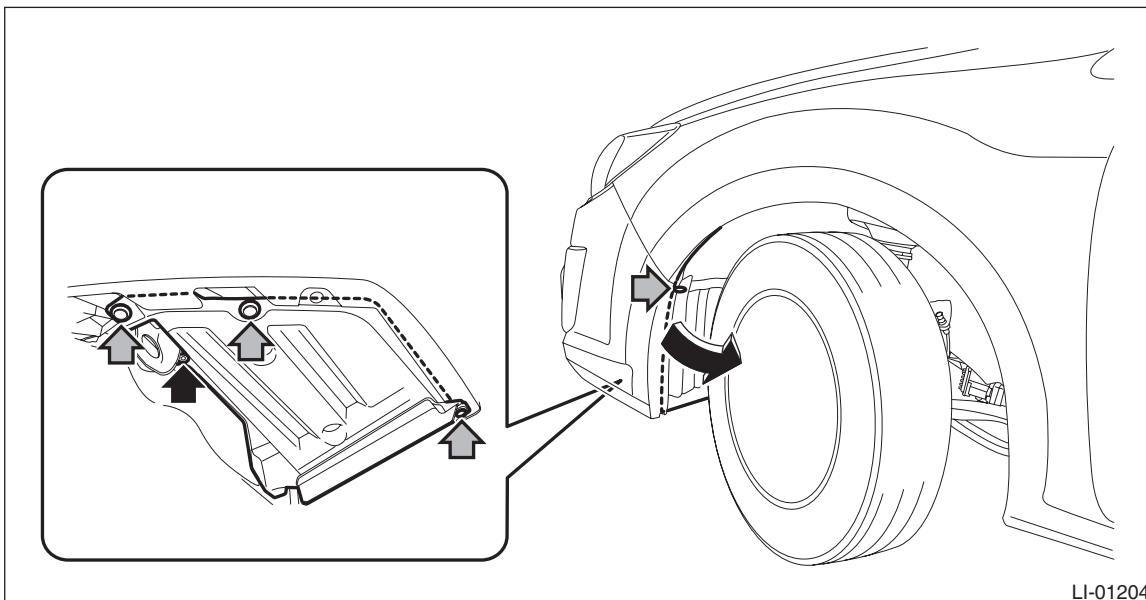


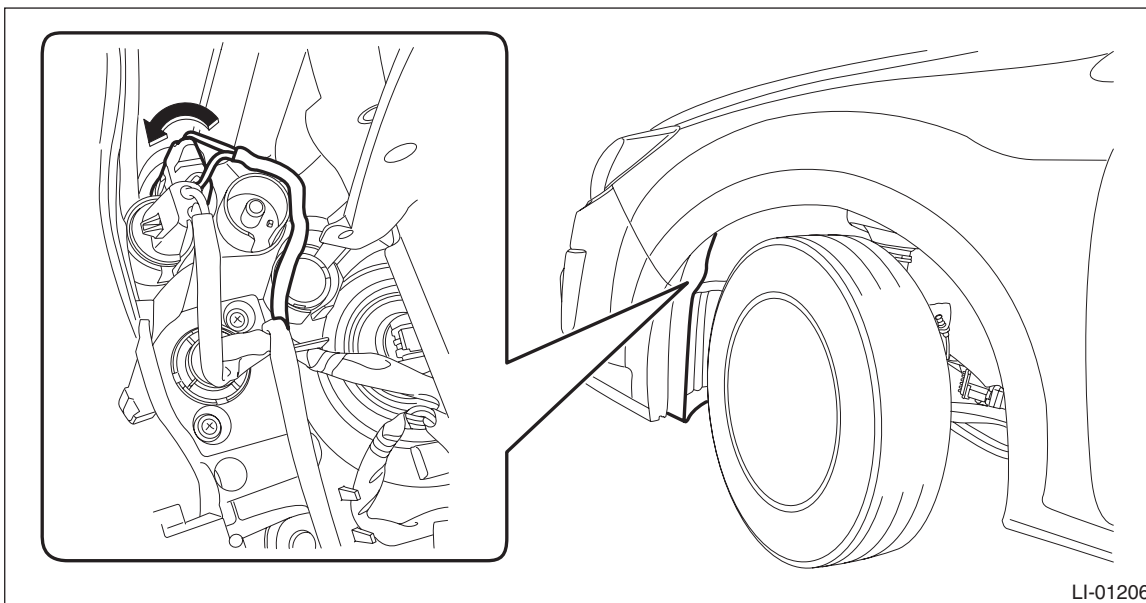
19. Clearance/Parking Light Bulb

A: REMOVAL

- 1) Disconnect the ground cable from battery.
- 2) Turn the steering wheel in the opposite direction from the parts to be removed. Then remove the screws and clips, and turn over the mud guard - front.



- 3) Remove the bulb socket and the parking light bulb.



B: INSTALLATION

Install each part in the reverse order of removal.

C: INSPECTION

- 1) Visually check the bulb for blow out.
- 2) Check the bulb specification. <Ref. to LI-2, SPECIFICATION, General Description.>
- 3) Replace the bulb if it is found defective.