

Rear Combination Light Assembly

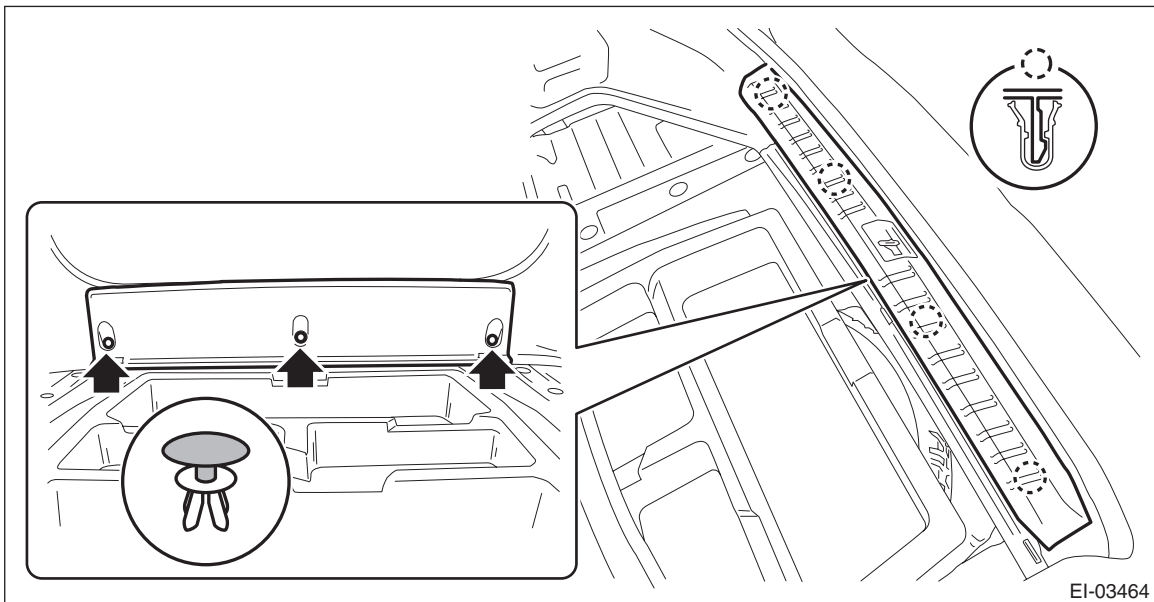
LIGHTING SYSTEM

24.Rear Combination Light Assembly

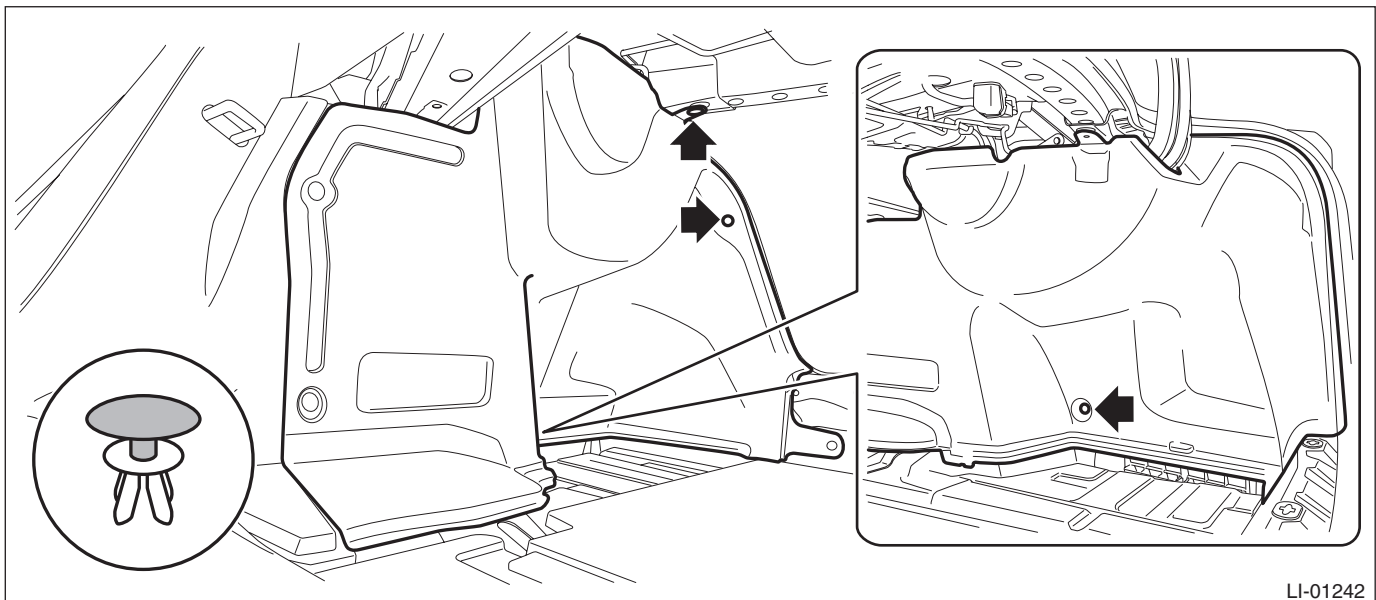
A: REMOVAL

1. 4 DOOR MODEL

- 1) Disconnect the ground cable from battery.
- 2) Remove the mat - trunk.
- 3) Remove the trim panel - trunk rear.
 - (1) Remove the clip.
 - (2) Release the claws, and remove the trim panel - trunk rear.



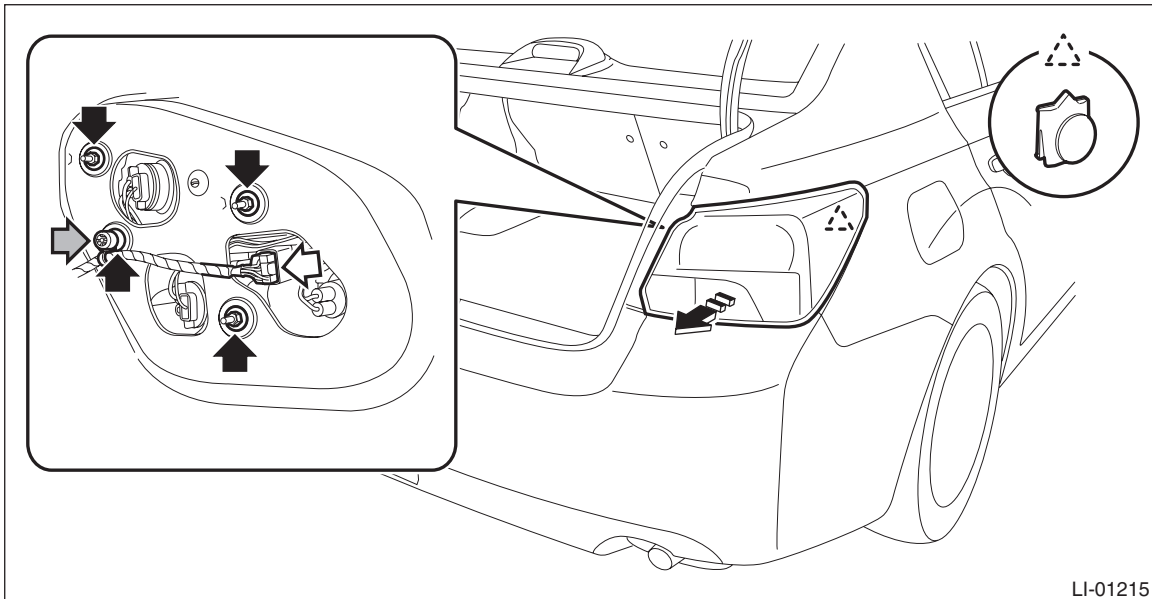
- 4) Remove the clips, and turn over the trim panel - trunk side.



- 5) Remove the light assembly - rear combination.
 - (1) Remove the harness clip and connector.
 - (2) Release the nuts and clips, then remove the light assembly - rear combination.

CAUTION:

Be careful not to damage the clips.



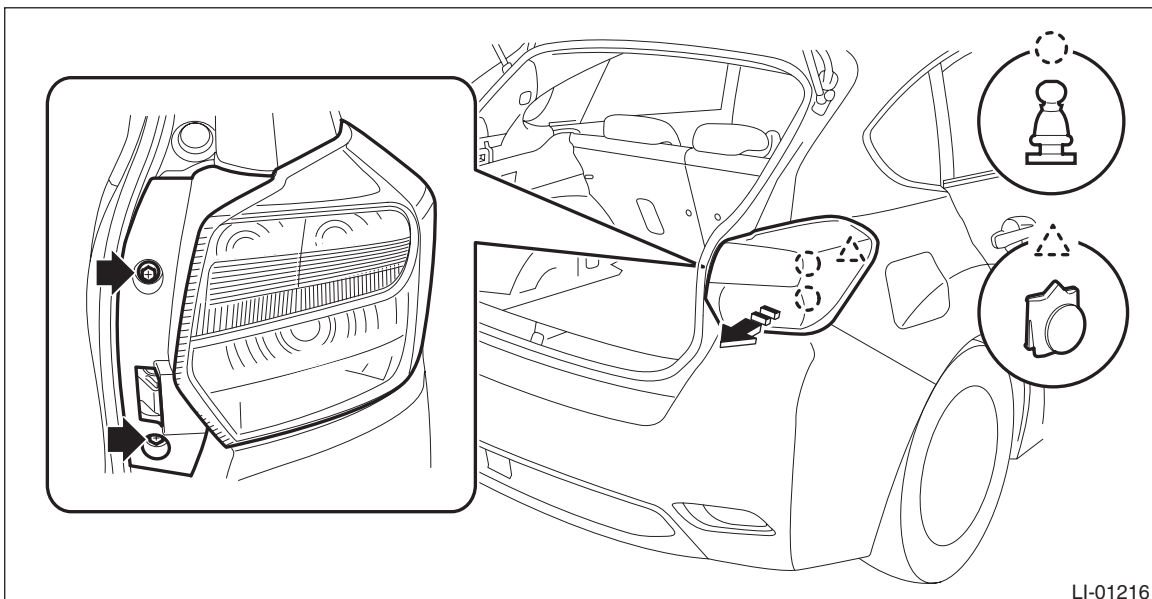
2. 5 DOOR MODEL/XV MODEL

- 1) Disconnect the ground cable from battery.
- 2) Remove the light assembly - rear combination.

CAUTION:

Be careful not to damage the clips.

- (1) Release the bolts and clips, then pull out the light assembly - rear combination to the vehicle rear.
- (2) Disconnect the connector and remove the light assembly - rear combination.



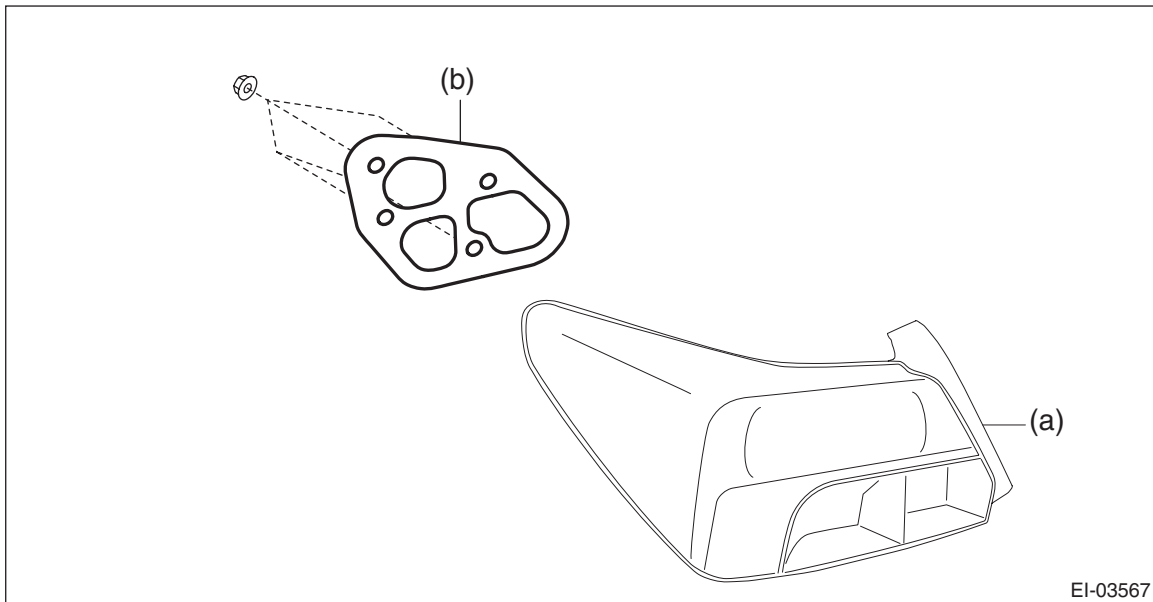
Rear Combination Light Assembly

LIGHTING SYSTEM

B: INSTALLATION

CAUTION:

For 4 door model, replace the gasket - rear combination (b) of the light assembly - rear combination (a) with a new part. If the gasket - rear combination is reused, water may come inside of the vehicle.



Install each part in the reverse order of removal.

Tightening torque:

Light assembly - rear combination: 7.5 N·m (0.76 kgf-m, 5.5 ft-lb)

C: INSPECTION

- 1) Visually check the bulb for blow out.
- 2) Check the bulb specification. <Ref. to LI-2, SPECIFICATION, General Description.>
- 3) Replace the bulb if it is found defective.