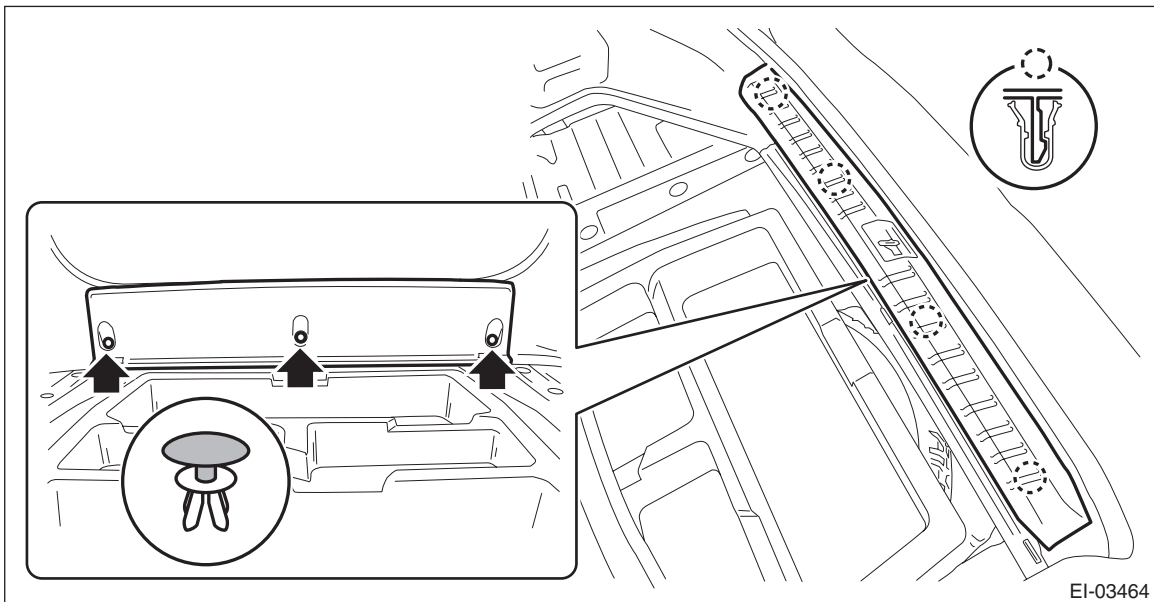


## 28.Back-up Light Bulb

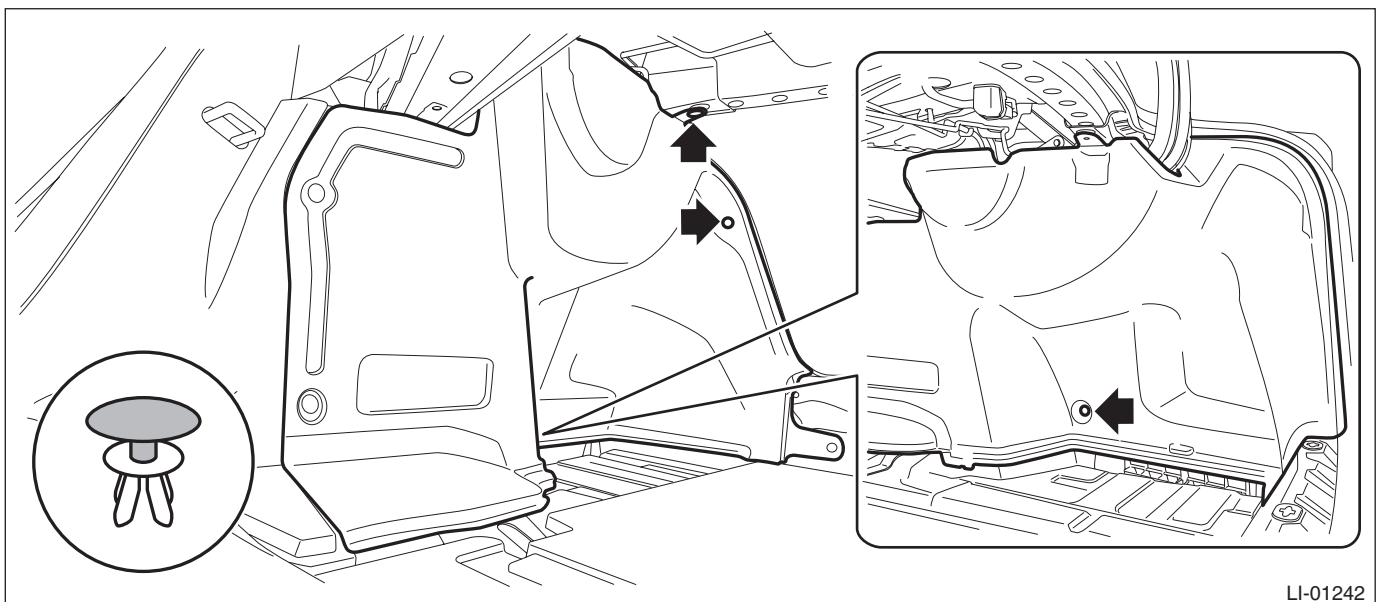
### A: REMOVAL

#### 1. 4 DOOR MODEL

- 1) Disconnect the ground cable from battery.
- 2) Remove the mat - trunk.
- 3) Remove the trim panel - trunk rear.
  - (1) Remove the clip.
  - (2) Release the claws, and remove the trim panel - trunk rear.



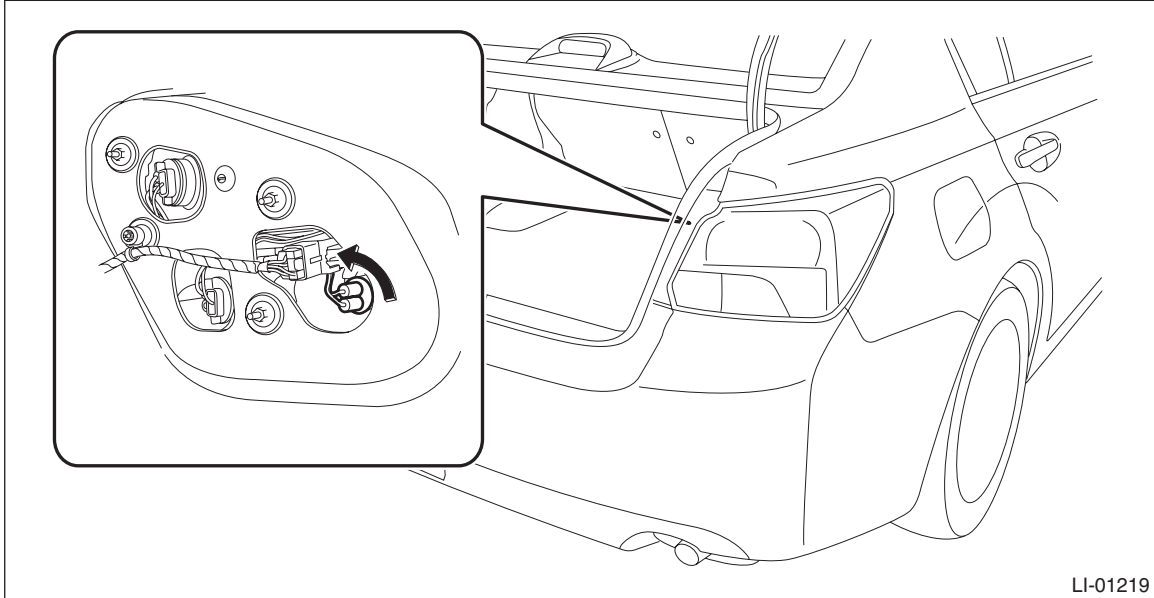
- 4) Remove the clips, and turn over the trim panel - trunk side.



# Back-up Light Bulb

## LIGHTING SYSTEM

5) Remove the bulb socket and back-up light bulb.



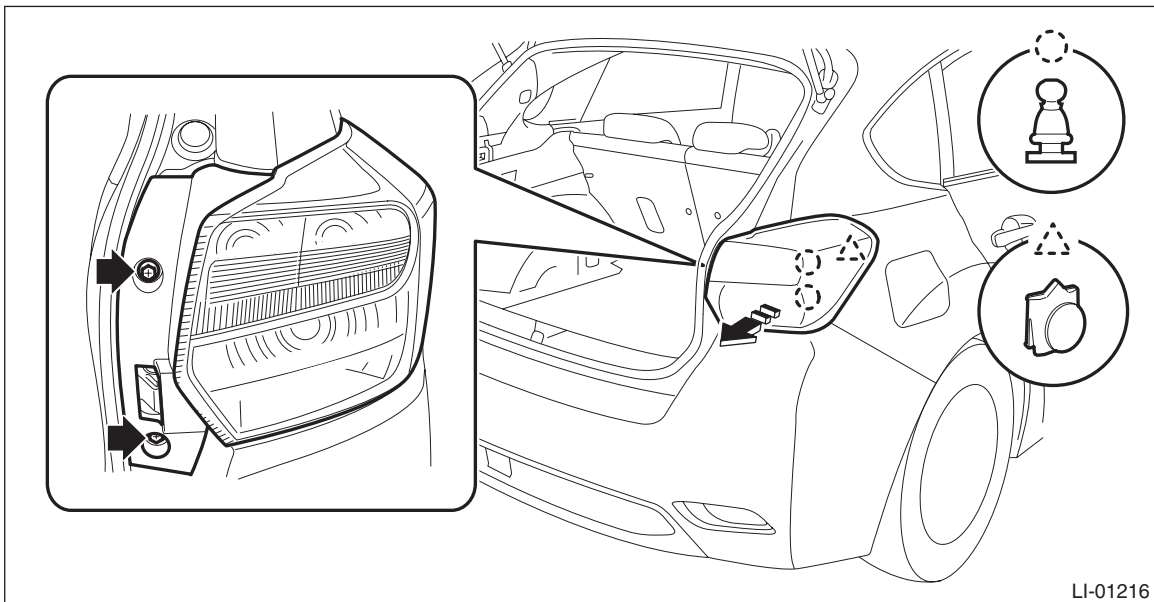
## 2. 5 DOOR MODEL/XV MODEL

- 1) Disconnect the ground cable from battery.
- 2) Remove the light assembly - rear combination.

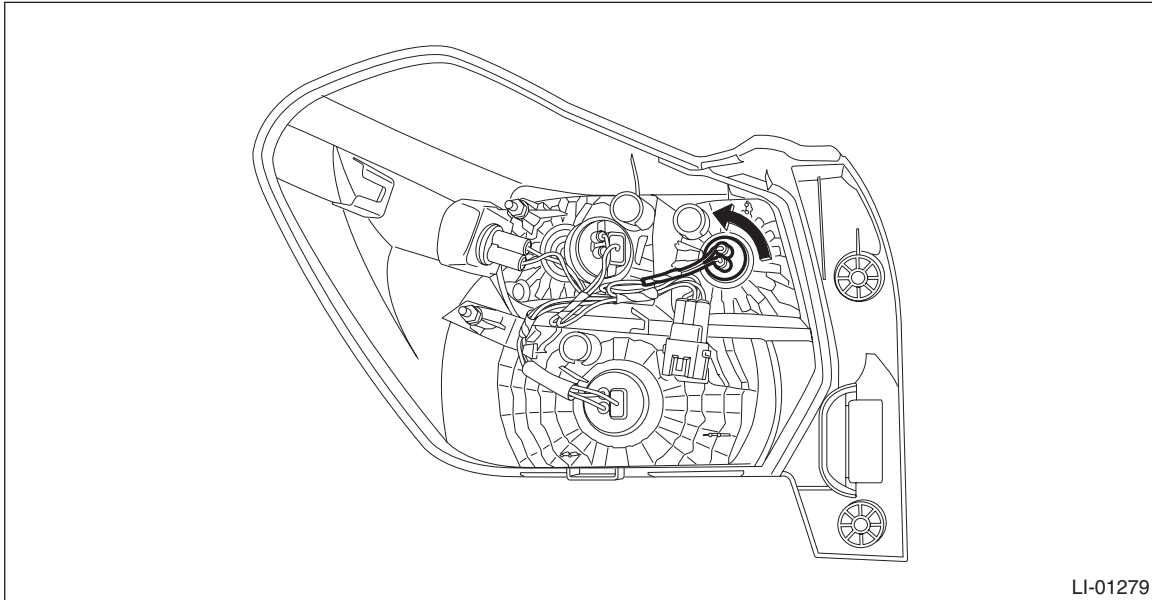
### CAUTION:

**Be careful not to damage the clips.**

- (1) Release the bolts and clips, then pull out the light assembly - rear combination to the vehicle rear.
- (2) Disconnect the connector and remove the light assembly - rear combination.



- 3) Remove the bulb socket and rear turn signal light bulb.



LI-01279

## B: INSTALLATION

Install each part in the reverse order of removal.

### *Tightening torque:*

*Light assembly - rear combination (5 door model/XV model): 7.5 N·m (0.76 kgf-m, 5.5 ft-lb)*

## C: INSPECTION

- 1) Visually check the bulb for blow out.
- 2) Check the bulb specification. <Ref. to LI-2, SPECIFICATION, General Description.>
- 3) Replace the bulb if it is found defective.