

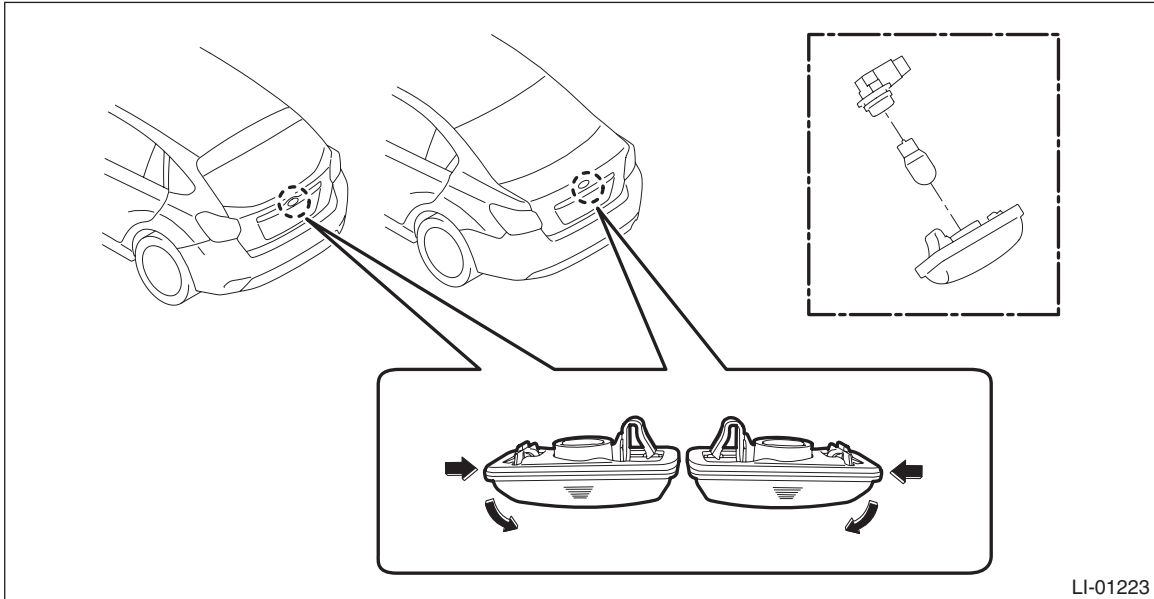
# License Plate Light

LIGHTING SYSTEM

## 29. License Plate Light

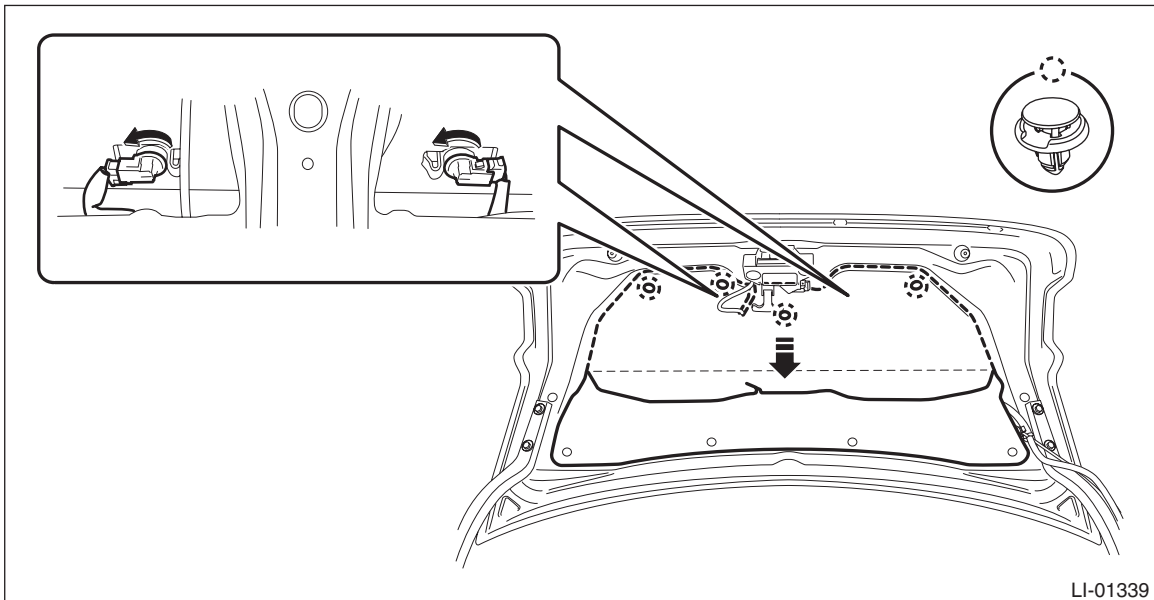
### A: REMOVAL

- 1) Disconnect the ground cable from battery.
- 2) Remove the garnish - trunk. (4 door model) <Ref. to EI-151, REMOVAL, Trunk Lid Garnish.>
- 3) Remove the license plate light.
  - (1) Release the claws and pull out the license plate light.
  - (2) Disconnect the connector and remove the bulb socket and bulb from the license plate light.



#### NOTE:

For 4 door model, when removing the bulb only, remove the trim panel - trunk lid halfway, then remove the bulb socket and the bulb.



## **B: INSTALLATION**

Install each part in the reverse order of removal.

## **C: INSPECTION**

- 1) Visually check the bulb for blow out.
- 2) Check the bulb specification. <Ref. to LI-2, SPECIFICATION, General Description.>
- 3) Replace the bulb if it is found defective.