

Room Light

LIGHTING SYSTEM

32.Room Light

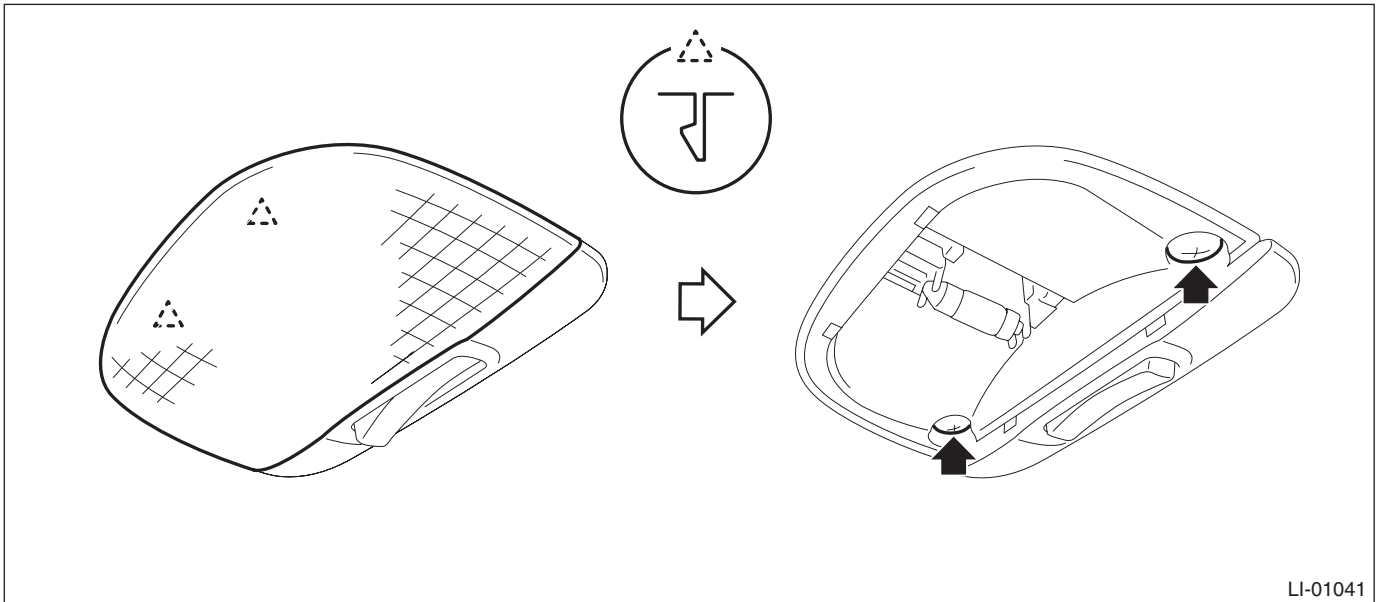
A: REMOVAL

- 1) Disconnect the ground cable from battery.
- 2) Remove the light assembly - room.

CAUTION:

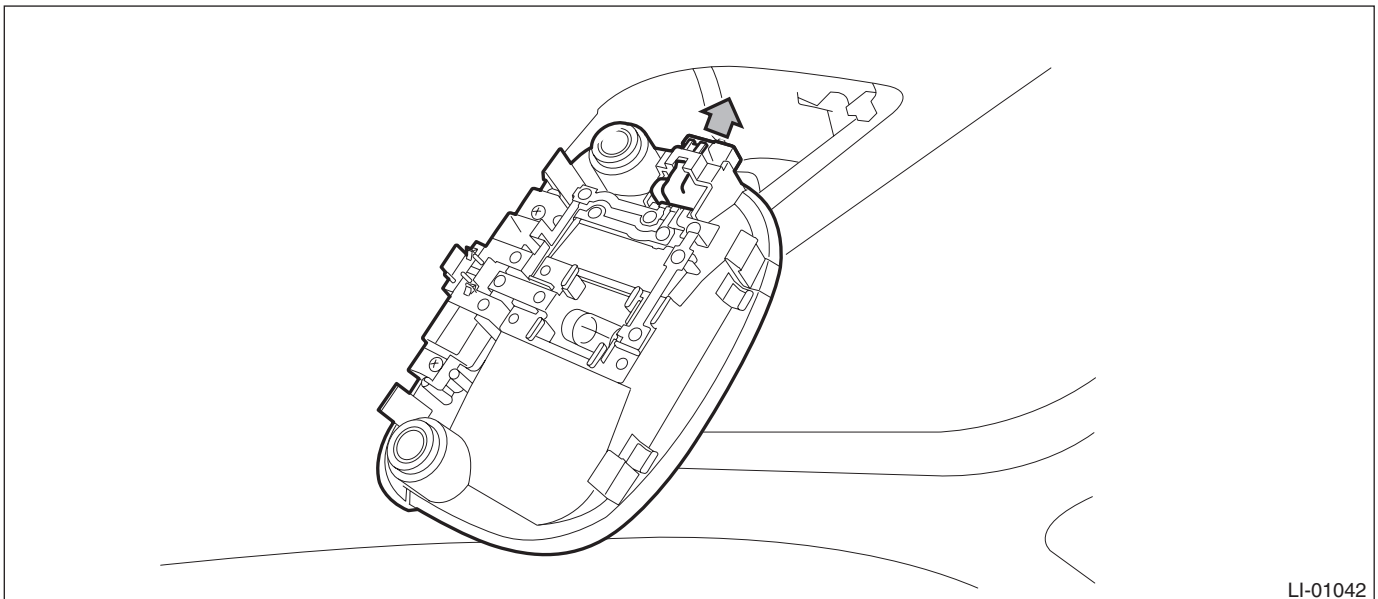
When using a flat tip screwdriver, apply protective tape or cloth and be careful not to cause damage.

- (1) Release the claws and remove the lens.
- (2) Remove the screws and pull out the light assembly - room.



LI-01041

- (3) Disconnect the connector and remove the light assembly - room and the bulb.



LI-01042

B: INSTALLATION

Install each part in the reverse order of removal.

C: INSPECTION

1. ROOM LIGHT BULB

- 1) Visually check the bulb for blow out.
- 2) Check the bulb specification. <Ref. to LI-2, SPECIFICATION, General Description.>
- 3) Replace the bulb if it is found defective.

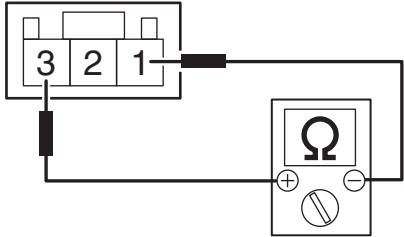
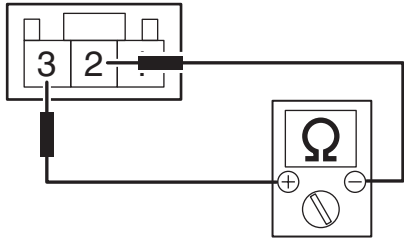
2. ROOM LIGHT SWITCH

Unit inspection

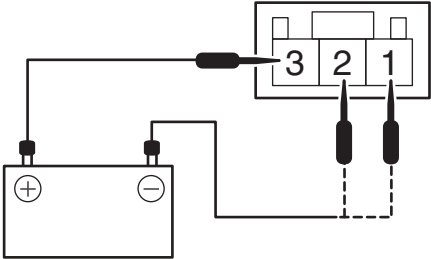
Preparation tool:

Circuit tester

- 1) Check the resistance between switch terminals.

Terminal No.	Inspection conditions	Standard	Connection diagram
—	Switch OFF	1 MΩ or more	 <p style="text-align: right; font-size: small;">LI-01254</p>
1 — 3	Switch ON	Less than 1 Ω	
2 — 3	Switch door	Less than 1 Ω	 <p style="text-align: right; font-size: small;">LI-01255</p>

- 2) Apply battery voltage to check the lighting condition of the light.

Terminal No.	Inspection conditions	Specification	Connection diagram
3 (+) — 1, 2 (-)	Switch OFF	Light OFF	 <p style="text-align: right; font-size: small;">LI-01256</p>
	Switch ON	Light ON	
	Switch door	Light ON	

- 3) Replace the light assembly - room if the inspection result is not within the standard value.