

# Luggage Room Light

LIGHTING SYSTEM

## 33.Luggage Room Light

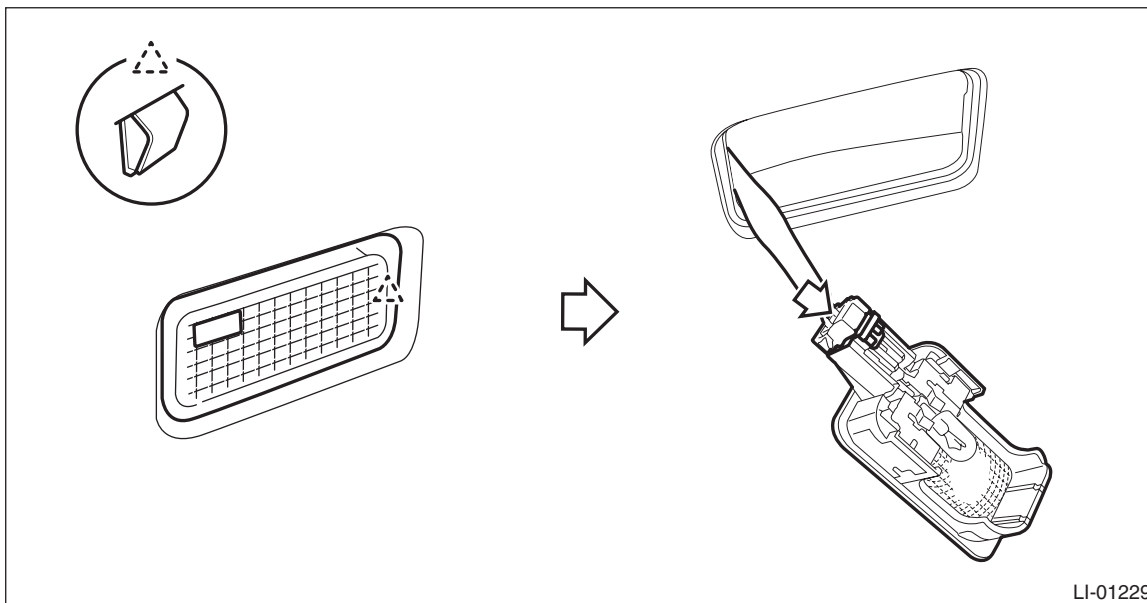
### A: REMOVAL

- 1) Disconnect the ground cable from battery.
- 2) Remove the light assembly - luggage room.

#### CAUTION:

**When using a flat tip screwdriver, apply protective tape or cloth and be careful not to cause damage.**

- (1) Release the claws and remove the main body of the light assembly - luggage room.
- (2) Disconnect the connector and remove the light assembly - luggage room and the bulb.



### B: INSTALLATION

Install each part in the reverse order of removal.

## C: INSPECTION

### 1. LUGGAGE ROOM LIGHT BULB

- 1) Visually check the bulb for blow out.
- 2) Check the bulb specification. <Ref. to LI-2, SPECIFICATION, General Description.>
- 3) Replace the bulb if it is found defective.

### 2. LUGGAGE ROOM LIGHT SWITCH

#### Unit inspection

#### Preparation tool:

#### Circuit tester

- 1) Check the resistance between switch terminals.

Terminal No.	Inspection conditions	Specification	Connection diagram
1 — 2	Switch OFF	1 MΩ or more	
	Switch ON	Less than 1 Ω	

LI-01253

- 2) Replace the light assembly - luggage room if the inspection result is not within the standard value.