

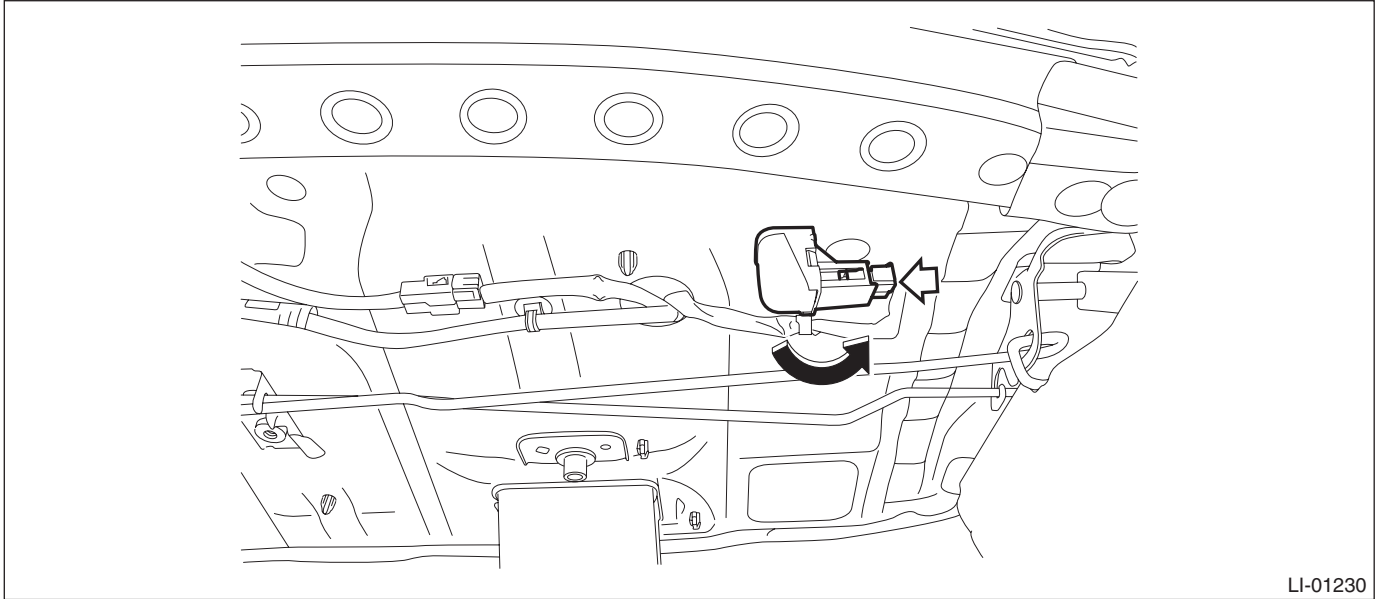
Trunk Room Light

LIGHTING SYSTEM

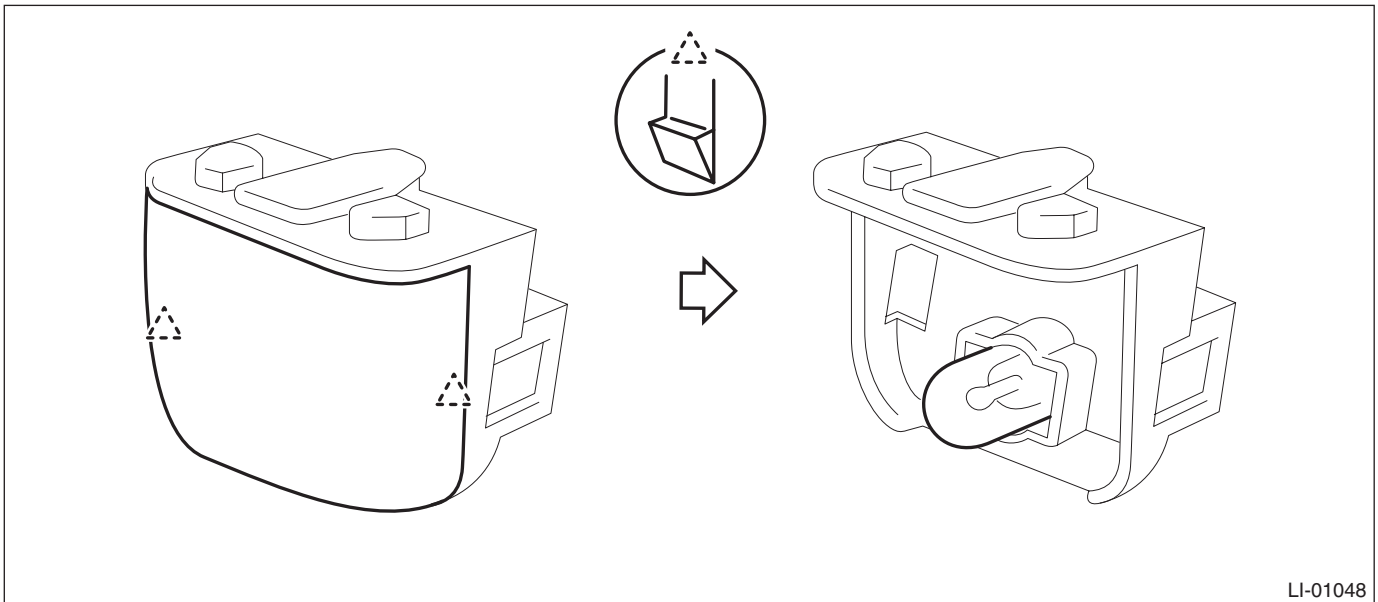
34.Trunk Room Light

A: REMOVAL

- 1) Disconnect the ground cable from battery.
- 2) Remove the light assembly - trunk room.
 - (1) Disconnect the connector.
 - (2) Turn the light assembly - trunk room counterclockwise to 60° and remove the light.



- 3) Release the claws, and detach the lens and bulb.



B: INSTALLATION

Install each part in the reverse order of removal.

C: INSPECTION

- 1) Visually check the bulb for blow out.
- 2) Check the bulb specification. <Ref. to LI-2, SPECIFICATION, General Description.>
- 3) Replace the bulb if it is found defective.