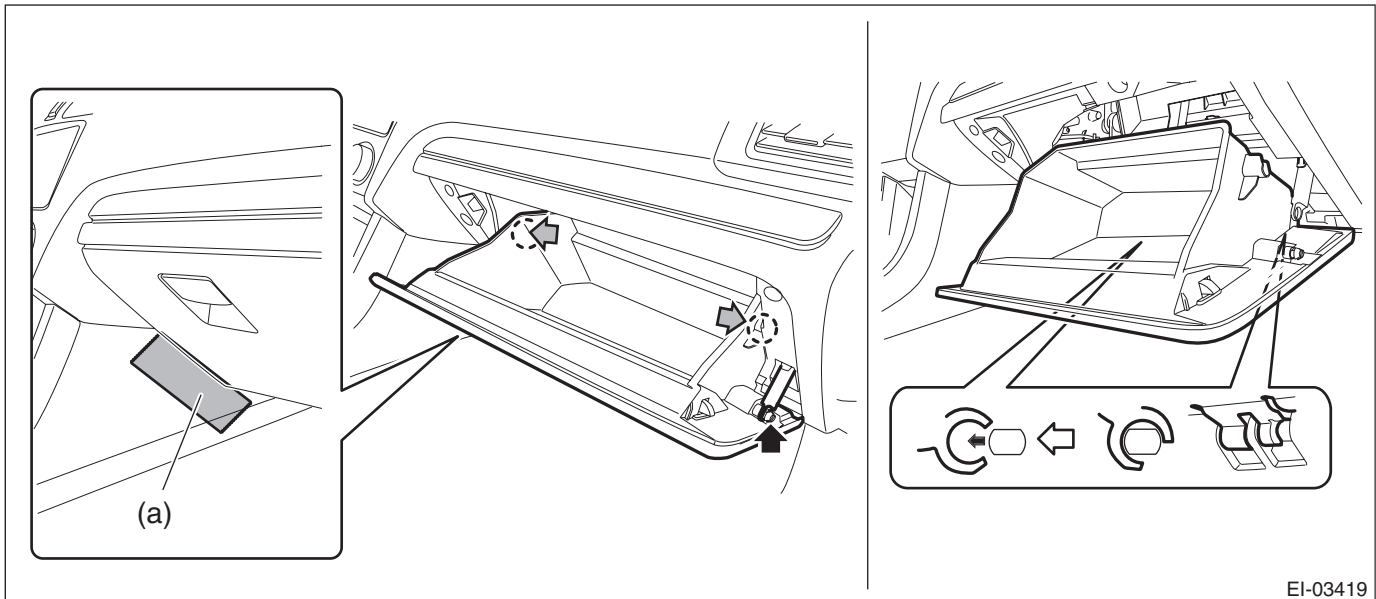


35. Glove Box Light

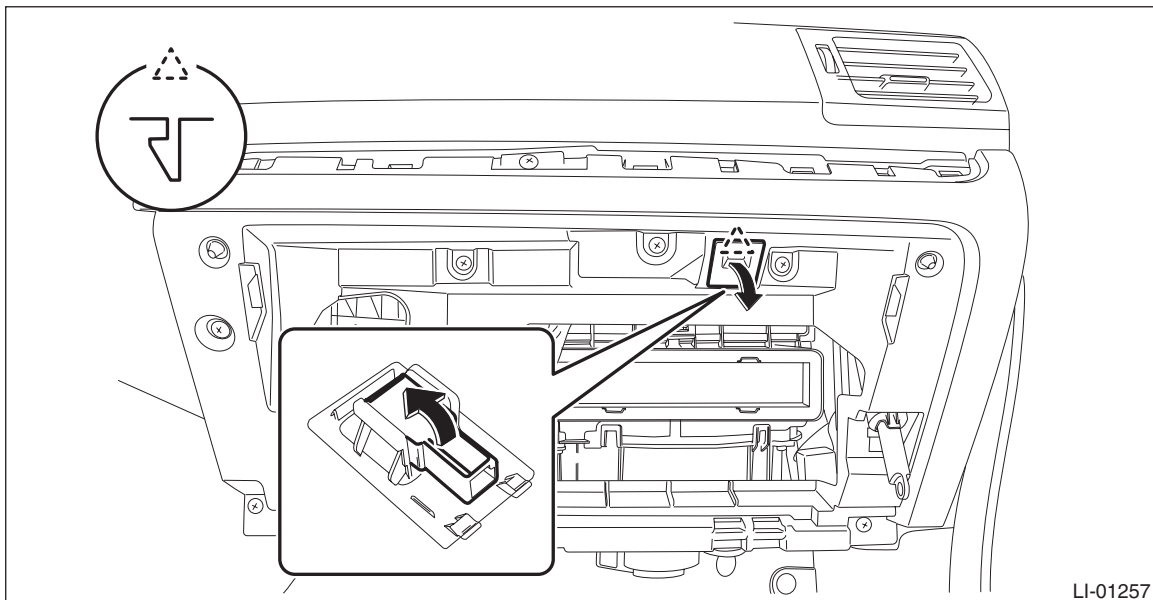
A: REMOVAL

- 1) Disconnect the ground cable from battery.
- 2) Remove the pocket assembly.
 - (1) Attach the protective tape (a) to the panel center LWR.
 - (2) Remove the damper COMPL - pocket.
 - (3) Release the stoppers and remove the pocket assembly by pulling it toward you.



EI-03419

- 3) Remove the light - pocket.
 - (1) Release the claws and remove the light - pocket cover from the back panel - pocket.
 - (2) Disconnect the connector and remove the light - pocket from the cover.



LI-01257

B: INSTALLATION

Install each part in the reverse order of removal.

Glove Box Light

LIGHTING SYSTEM

C: INSPECTION

- 1) Install the light to test if it illuminates normally.
- 2) If it fails to illuminate normally, replace the light - pocket with a new part.

NOTE:

Since LED (Light Emitting Diode) is used for the light, replace the light - pocket if the LED burns out.