

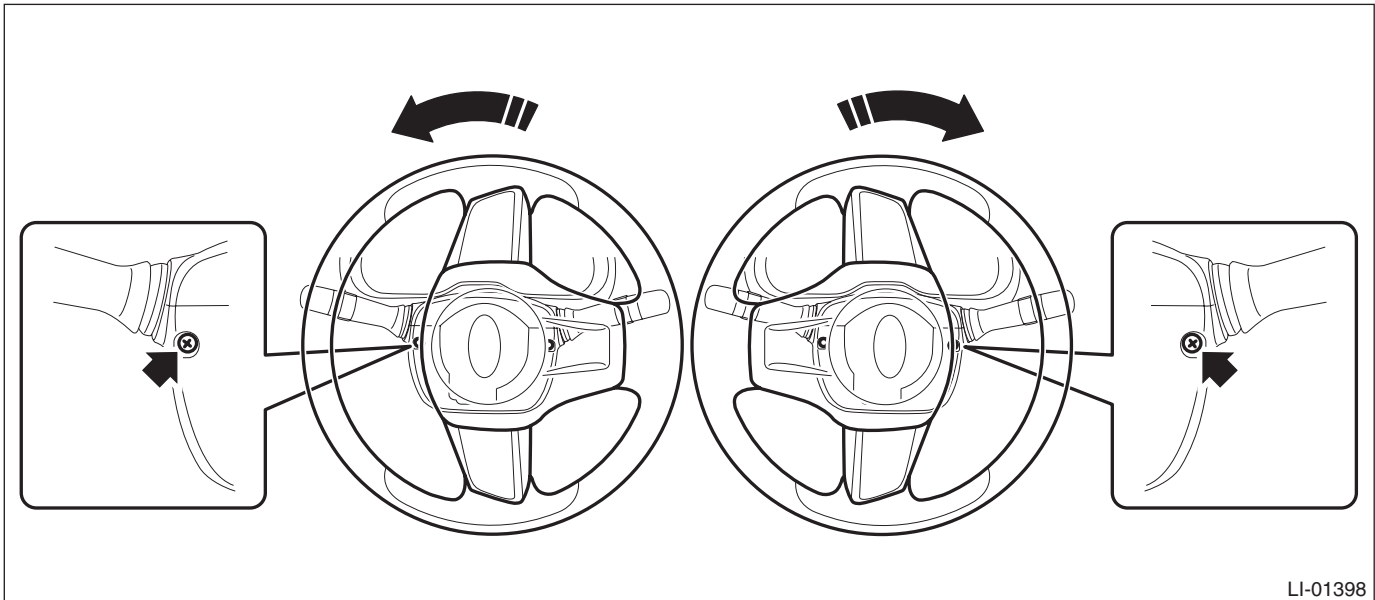
36. Ignition Switch Illumination

A: REMOVAL

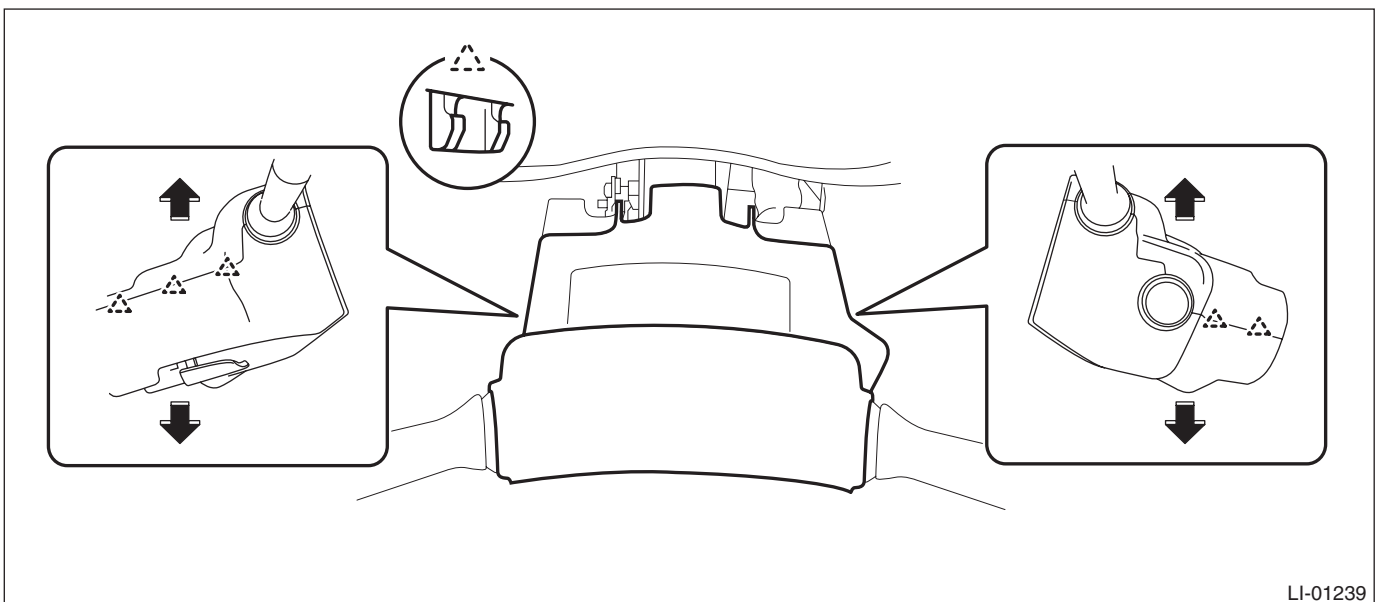
NOTE:

The ignition switch illumination is integrated into the immobilizer antenna assembly.

- 1) Disconnect the ground cable from battery.
- 2) Remove the cover assembly - column.
 - (1) Remove the screws by turning the steering wheel to right and left.



- (2) Release the claw, and remove the cover assembly - column UPR and the cover assembly - column LWR.



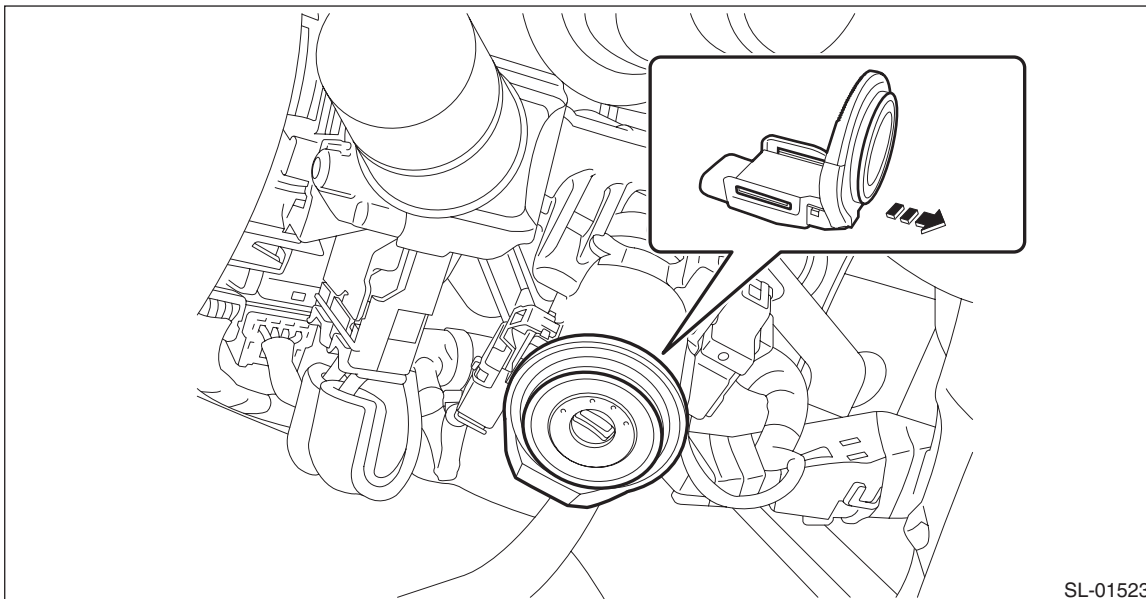
Ignition Switch Illumination

LIGHTING SYSTEM

3) Disconnect the connector and remove the ignition switch illumination.

CAUTION:

Do not apply excessive force to remove the ignition switch illumination lock. Otherwise they may be broken because those parts are the products made of a plastic.



B: INSTALLATION

Install each part in the reverse order of removal.

C: INSPECTION

On- the vehicle inspection

Preparation tool:

Circuit tester

	Step	Check	Yes	No
1	CHECK THE IGNITION SWITCH ILLUMINATION. Make sure the ignition switch illumination illuminates when driver's side door is open.	Does the ignition switch illumination illuminate?	Ignition switch illumination is normal.	Go to step 2.
2	CHECK THE IGNITION SWITCH ILLUMINATION. Make sure the ignition switch illumination blinks when the ignition switch is turned to ON.	Does the ignition switch illumination blink?	Check the function setting of body integrated unit. <Ref. to BC(diag)-2, Basic Diagnostic Procedure.>	Check the ignition switch illumination circuit. <Ref. to SL-26, CHECK IGNITION SWITCH ILLUMINATION, INSPECTION, Keyless Entry System.>