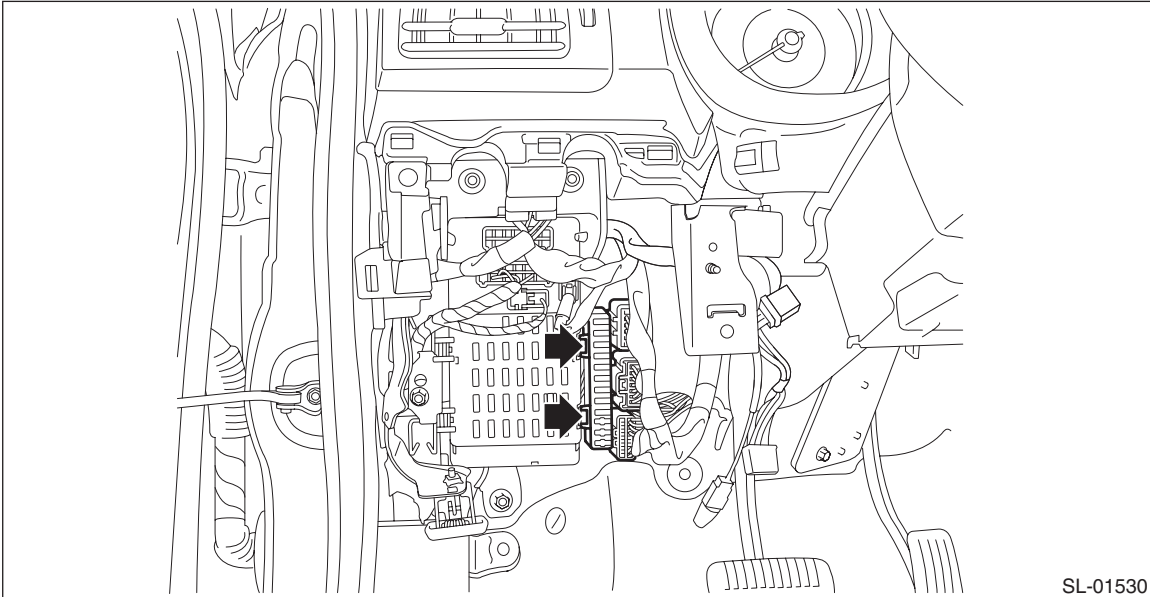


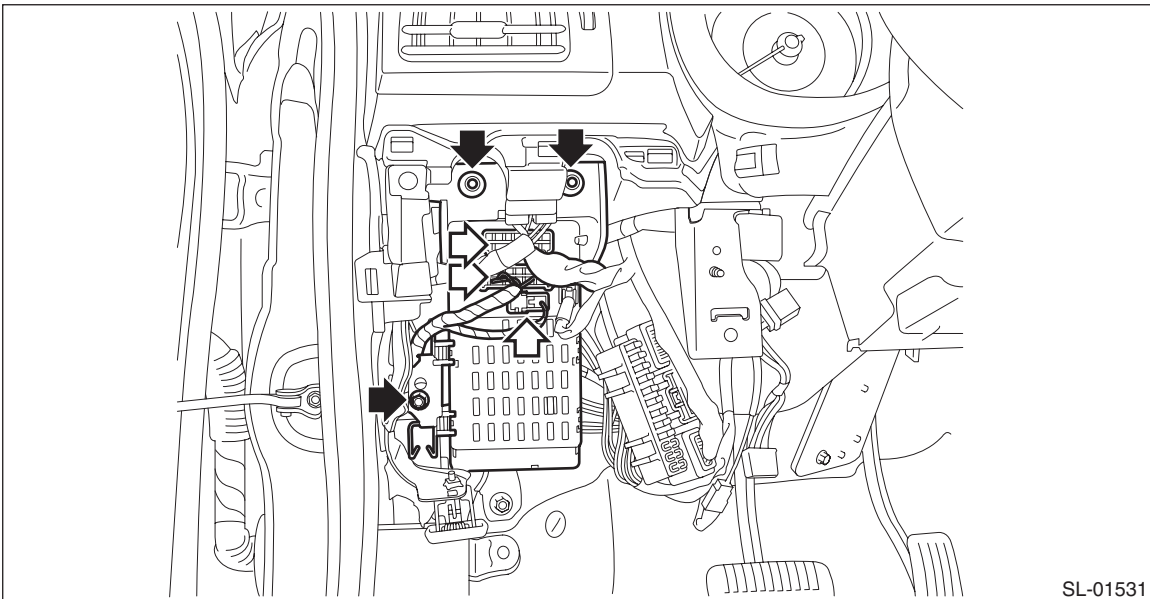
37. Auto Headlight Beam Leveler Control Module

A: REMOVAL

- 1) Remove the knee airbag module. <Ref. to AB-44, REMOVAL, Knee Airbag Module.>
- 2) Release the lock and remove the fuse holder.



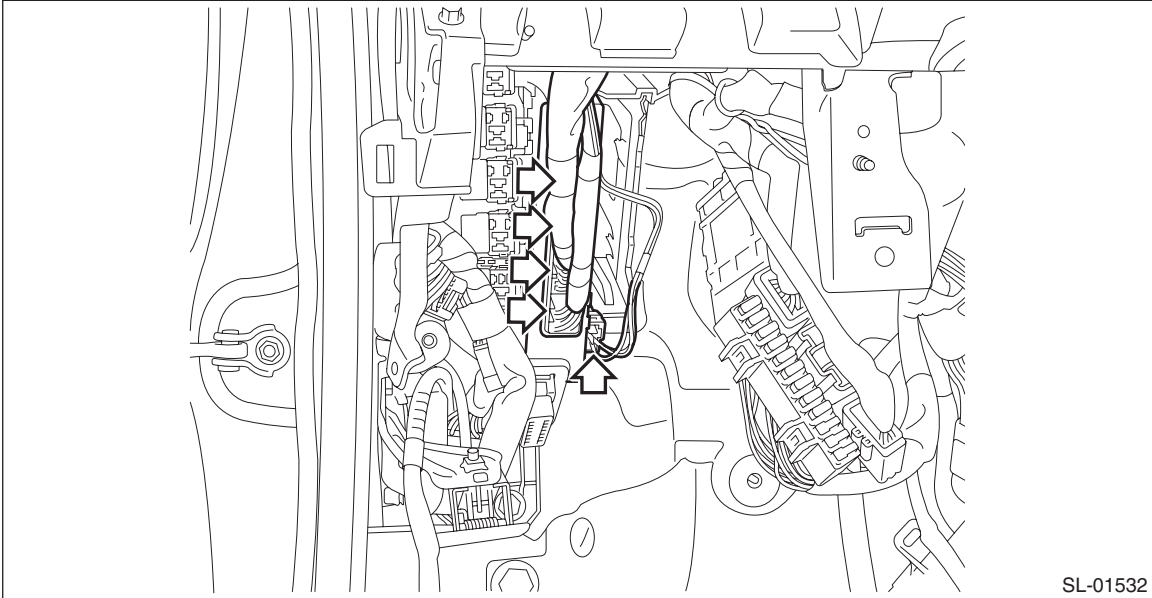
- 3) Remove the relay & fuse box.
 - (1) Disconnect the connector.
 - (2) Remove the bolts and nuts, and remove the relay & fuse box.



Auto Headlight Beam Leveler Control Module

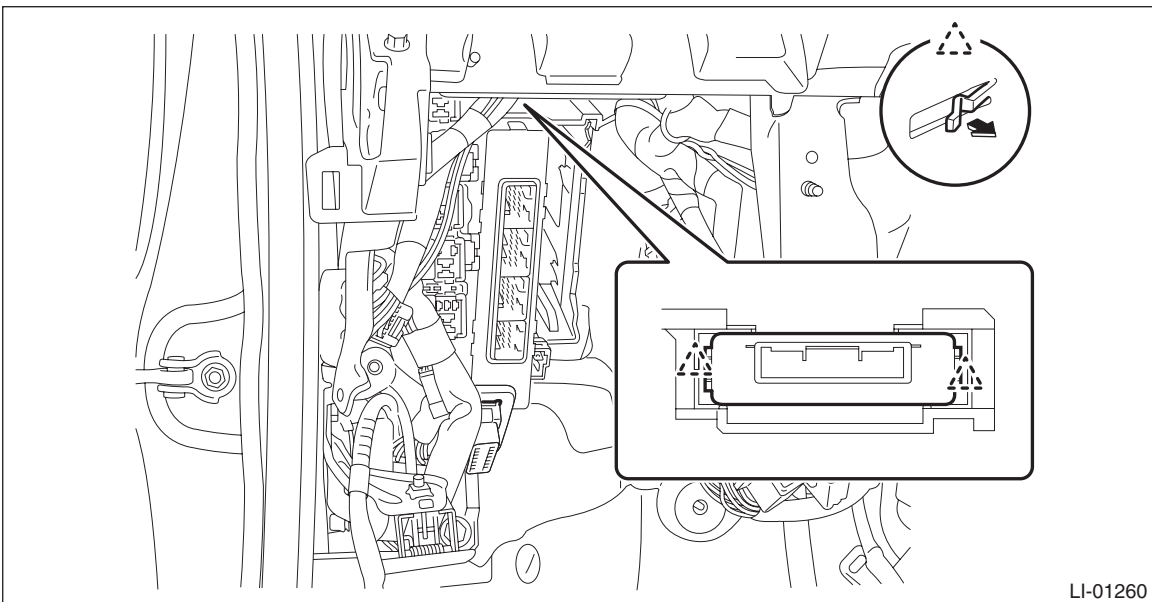
LIGHTING SYSTEM

- 4) Disconnect the connector of body integrated unit.



- 5) Remove the auto headlight beam leveler CM.

- (1) Disconnect the connector.
- (2) Release the claws and pull out the auto headlight beam leveler CM.



B: INSTALLATION

Install each part in the reverse order of removal.

NOTE:

Refer to "INSTALLATION" of "Knee Airbag Module". <Ref. to AB-46, INSTALLATION, Knee Airbag Module.>

Tightening torque:

Relay & fuse box: 7.5 N·m (0.76 kgf-m, 5.5 ft-lb)

NOTE:

When the auto headlight beam leveler CM is removed, perform initialization or reinitialization. <Ref. to LI-17, PROCEDURE, Auto Headlight Beam Leveler System.>