

38.Rear Height Sensor

A: REMOVAL

CAUTION:

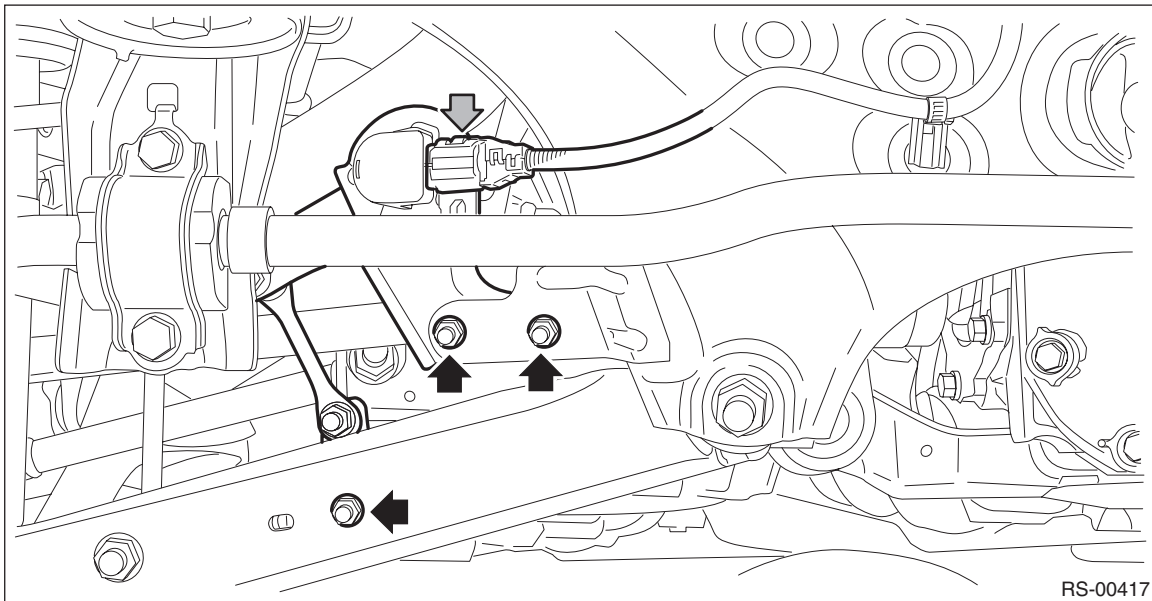
Always remove the sensor assembly - headlight beam leveler before removing any parts related to the suspension.

- 1) Disconnect the ground cable from battery.
- 2) Lift up the vehicle body, and remove the left rear wheel.
- 3) Remove the sensor assembly - headlight beam leveler.

CAUTION:

Do not disassemble the sensor and lever.

- (1) Disconnect the connector.
- (2) Remove the nuts, and remove the sensor assembly - headlight beam leveler.



B: INSTALLATION

- 1) Install each part in the reverse order of removal.

Tightening torque:

Sensor assembly - headlight beam leveler: 7.5 N·m (0.76 kgf-m, 5.5 ft-lb)

Rear wheel: 120 N·m (12.24 kgf-m, 88.5 ft-lb)

- 2) Perform reinitialization of the sensor assembly - headlight beam leveler. <Ref. to LI-17, REINITIALIZATION, PROCEDURE, Auto Headlight Beam Leveler System.>

NOTE:

When replacing the sensor assembly - headlight beam leveler with a new part, perform the initialization. <Ref. to LI-17, INITIALIZATION, PROCEDURE, Auto Headlight Beam Leveler System.>

Rear Height Sensor

LIGHTING SYSTEM

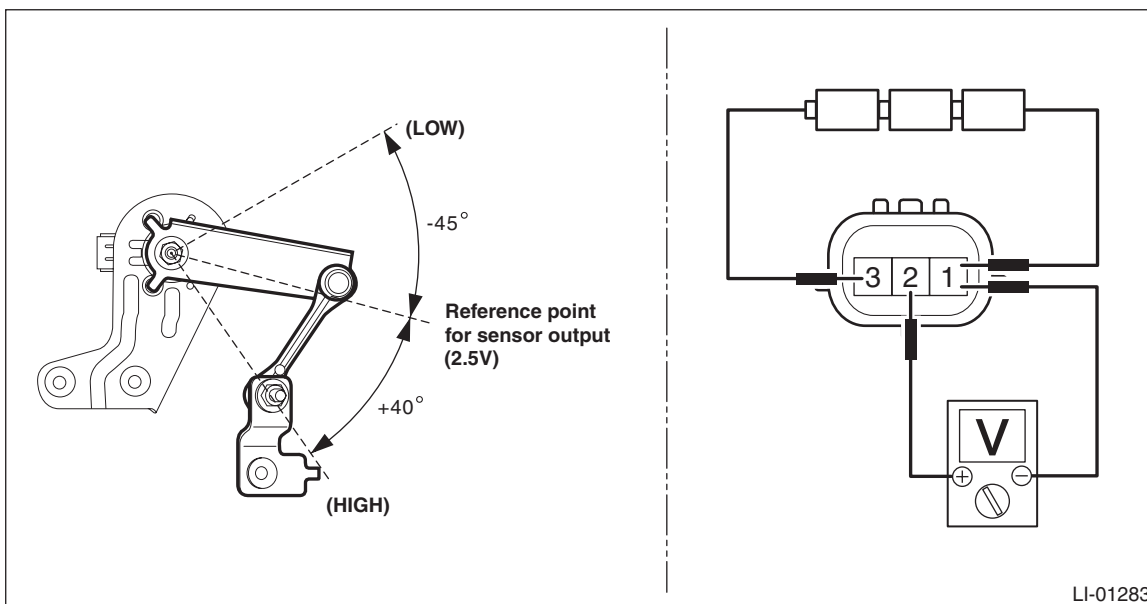
C: INSPECTION

UNIT INSPECTION

Preparation tool:

Circuit tester

- 1) Connect three dry cell batteries (1.5 V) in series.
- 2) Connect the (+) side of the battery to terminal No. 3 of the sensor, and the (-) side of the battery to terminal No. 1, and apply a voltage of 4.5 V between terminals No. 3 — No. 1.
- 3) With voltage applied, check the voltage between terminals when the sensor link is moved slowly up and down.



LI-01283

Terminal No.	Inspection conditions	Standard
2 (+) — 1 (-)	Move the link within the operation range.	0.5 — 4.1 V

- 4) Replace the sensor assembly - headlight beam leveler if the inspection result is not within the standard value.