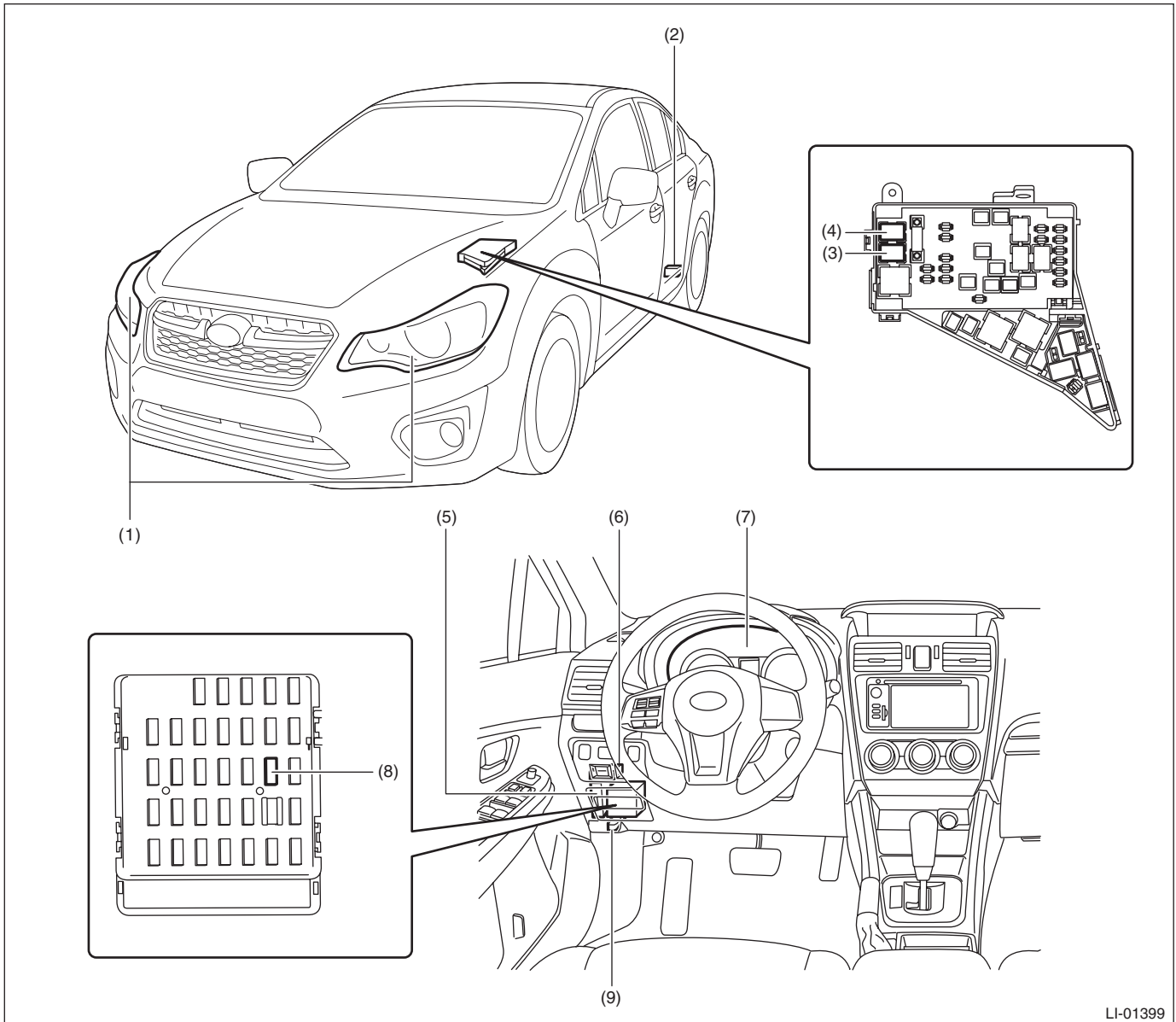


Electrical Component Location

AUTO HEADLIGHT BEAM LEVELER SYSTEM (DIAGNOSTICS)

4. Electrical Component Location

A: LOCATION



LI-01399

(1) Headlight ASSY
– Headlight beam leveler actuator

(2) Rear vehicle height sensor

(3) Headlight relay (Lo)

(4) Headlight relay (Hi)

(5) Body integrated unit

(6) Auto headlight beam leveler CM

(7) Combination meter

(8) Fuse 10 A (auto headlight beam leveler CM)

(9) Data link connector