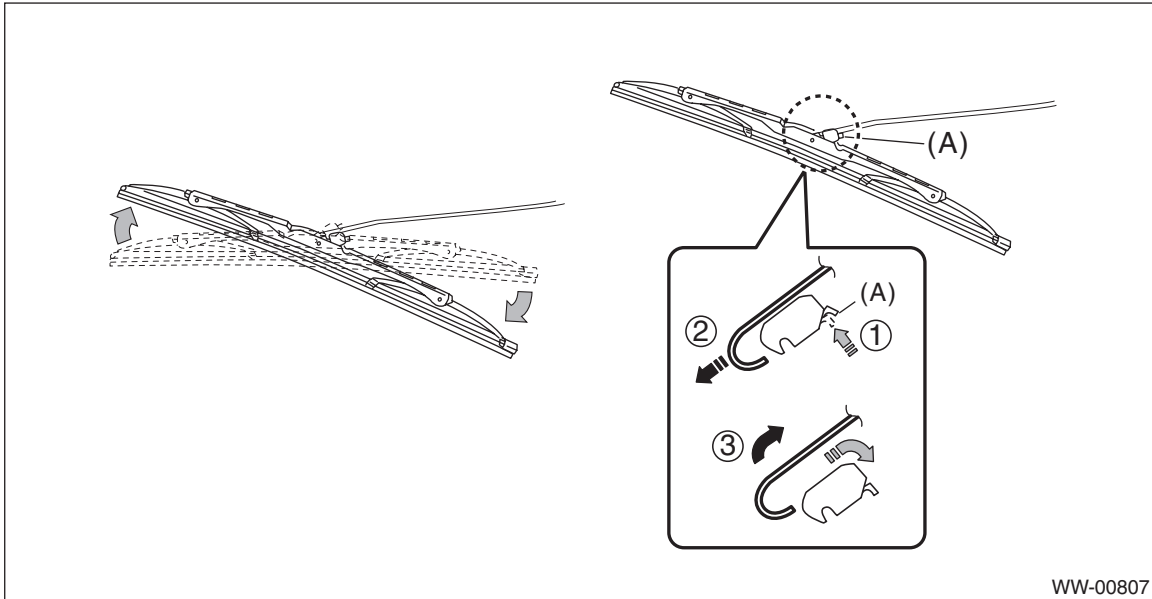


5. Wiper Blade

A: REMOVAL

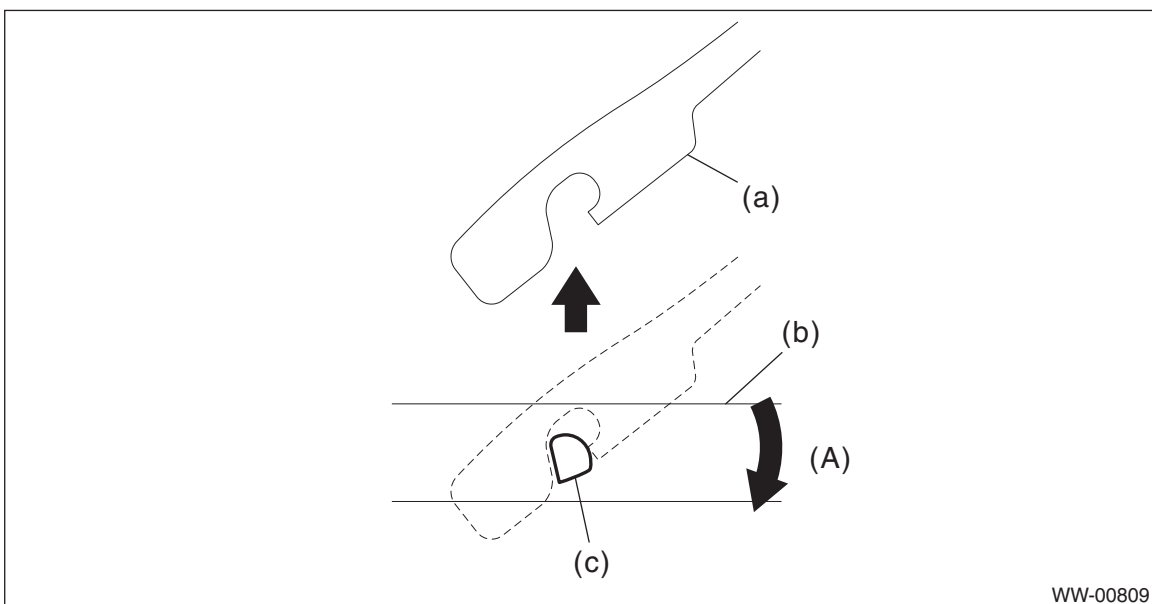
1. FRONT

While pushing the locking clip (A) up, pull out the blade assembly - windshield wiper in the direction of the arrow, and remove it from the arm assembly - windshield wiper.



2. REAR

Turn the blade assembly - rear wiper in the direction of arrow (A) and remove it from the arm assembly - rear wiper.



(A) Turn the wiper blade.

(a) Arm ASSY - rear wiper

(b) Blade ASSY - rear wiper

(c) Wiper blade attachment section

B: INSTALLATION

- 1) Install each part in the reverse order of removal.
- 2) Confirm that the clip is locked securely.

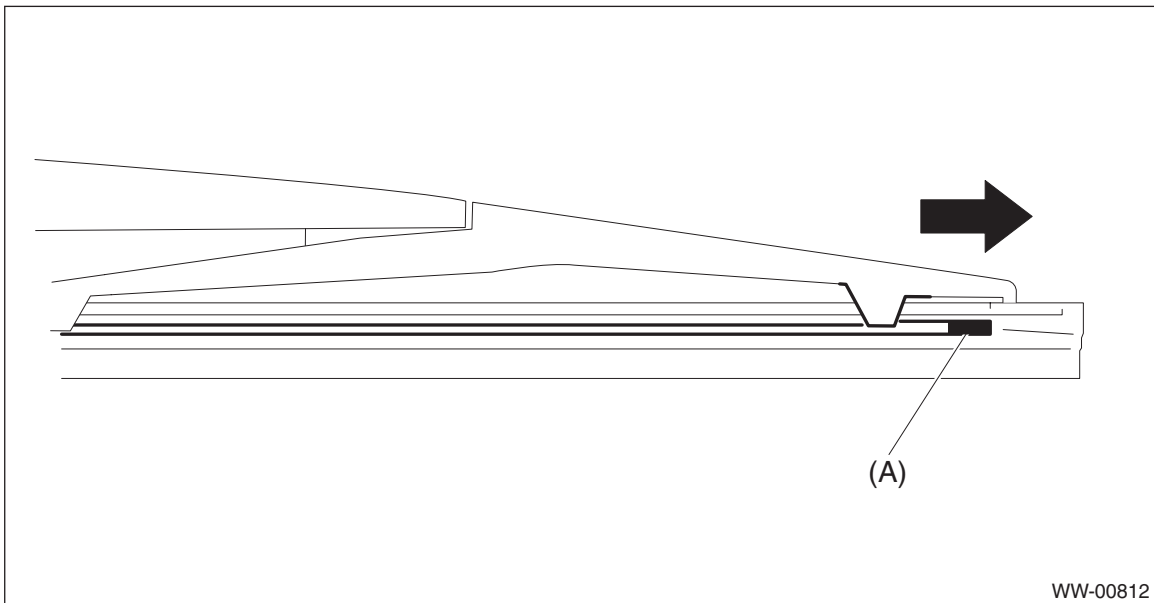
Wiper Blade

WIPER AND WASHER SYSTEMS

C: DISASSEMBLY

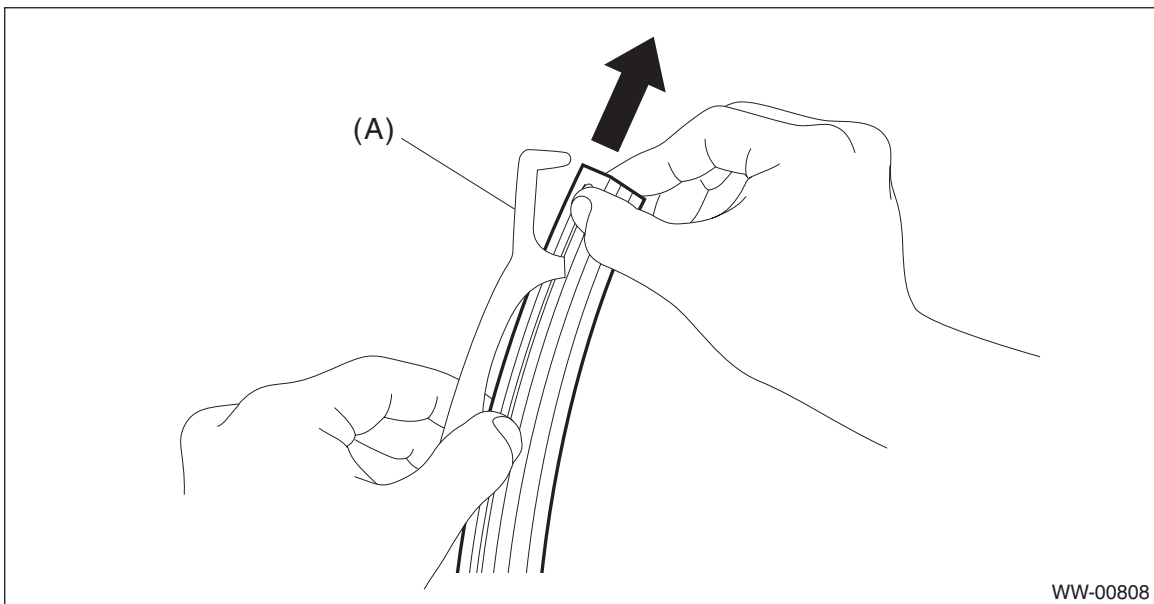
1. FRONT

Pull side (A) of the wiper rubber stopper, and remove the rubber assembly - windshield wiper from the blade assembly - windshield wiper.



2. REAR

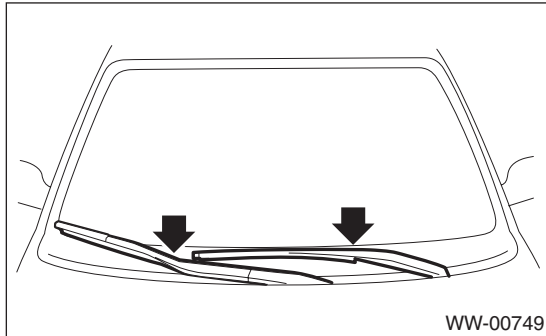
Slightly pull the top of the rubber assembly - rear wiper from the stopper (A), and pull out completely.



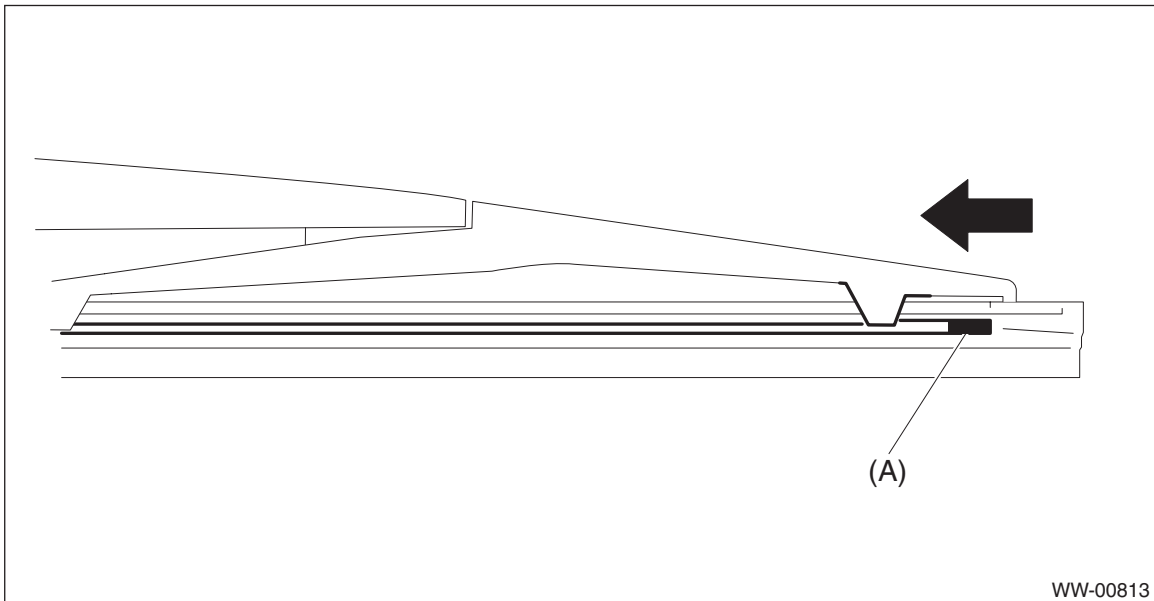
D: ASSEMBLY

1. FRONT

1) Insert the rubber assembly - windshield wiper onto the blade - windshield wiper so that the stopper is in the position shown in the figure.



2) Make sure the rubber assembly - windshield wiper is securely fastened to the pull stopper (A).

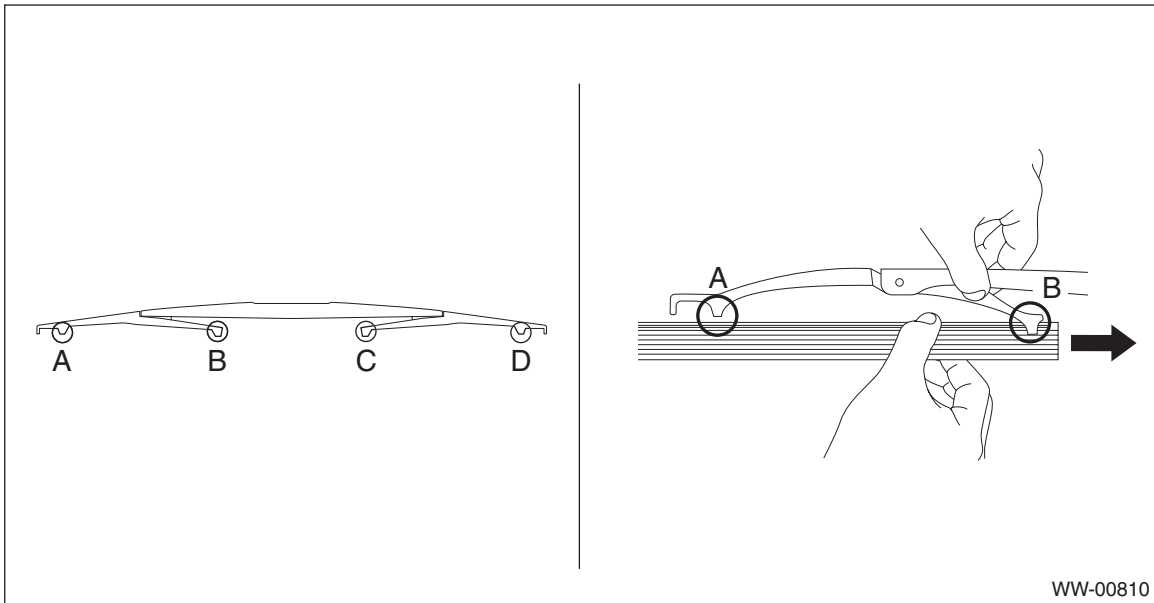


Wiper Blade

WIPER AND WASHER SYSTEMS

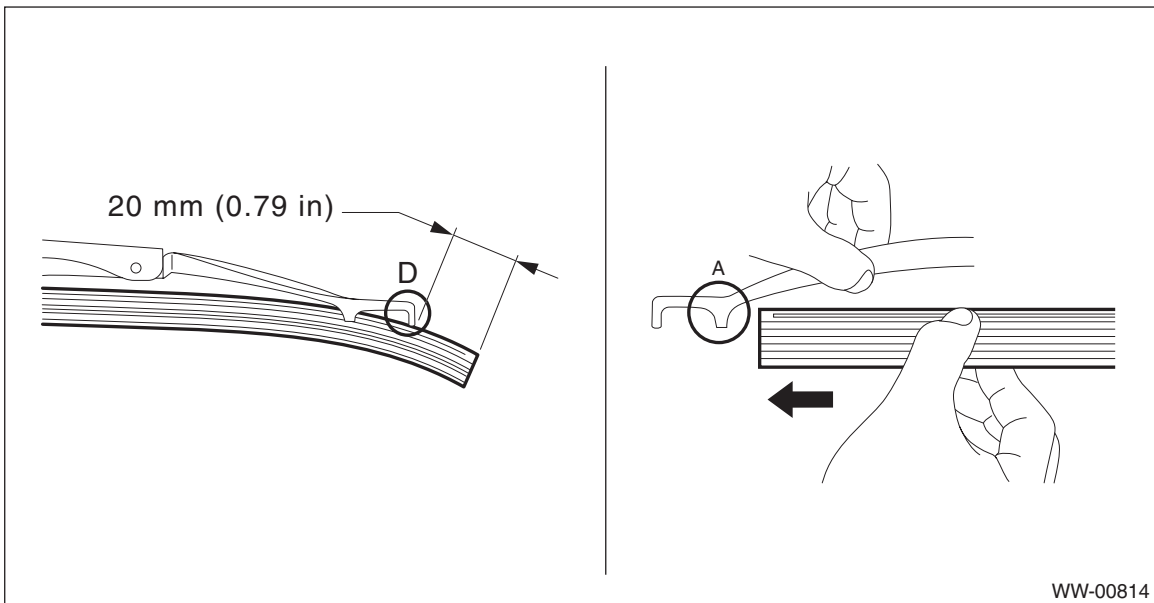
2. REAR

1) Insert the rubber assembly - rear wiper into claw (B).



2) Insert the rubber assembly - rear wiper until its top end protrudes approx. 20 mm (0.79 in) from stopper (D).

3) Insert the rubber assembly - rear wiper into claw (A).



E: INSPECTION

1) When the wiper does not operate properly, inspect the following item.

- Make sure the movable part of the blade assembly - rear wiper moves smoothly.
- Check that the rubber assembly - rear wiper rubber is not deformed or damaged.

2) Replace with a new part if damage is found.