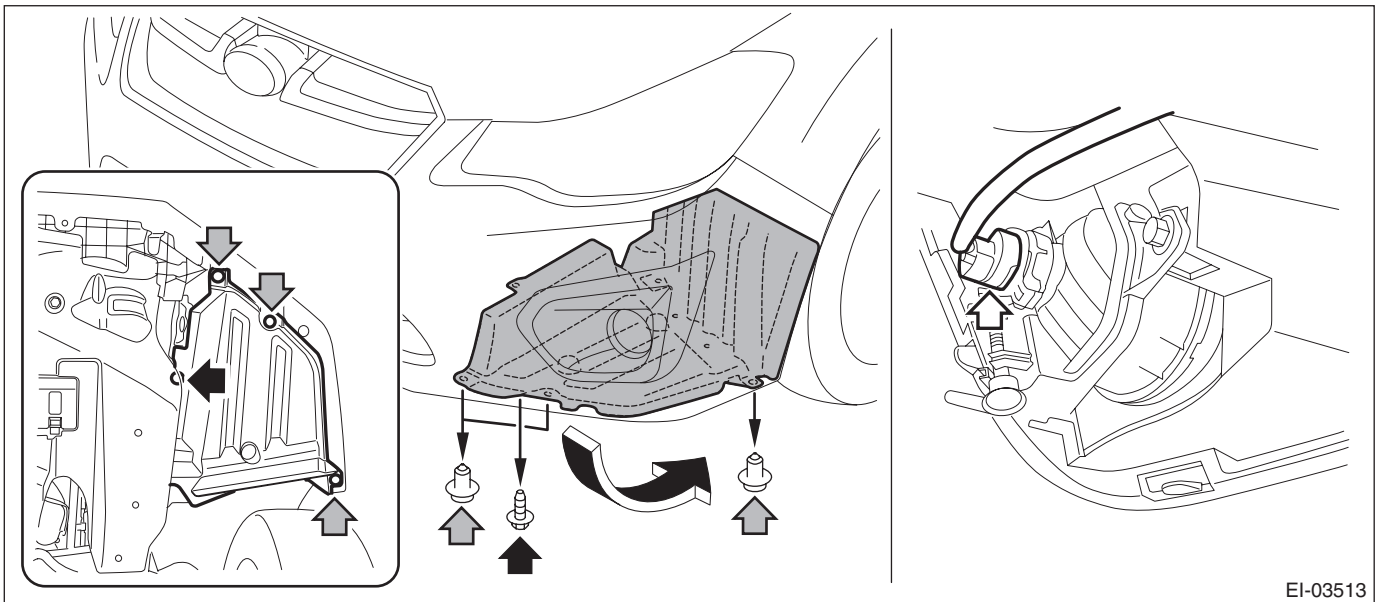


6. Washer Tank and Motor

A: REMOVAL

1. WASHER TANK

- 1) Open the hood COMPL - front.
- 2) Disconnect the ground cable from battery.
- 3) Remove the bumper face - front.
 - (1) Remove the clips and screws, and turn over the mud guard - front, and then disconnect the connectors of the fog light assembly - front on the LH and RH sides. (Model with fog light)



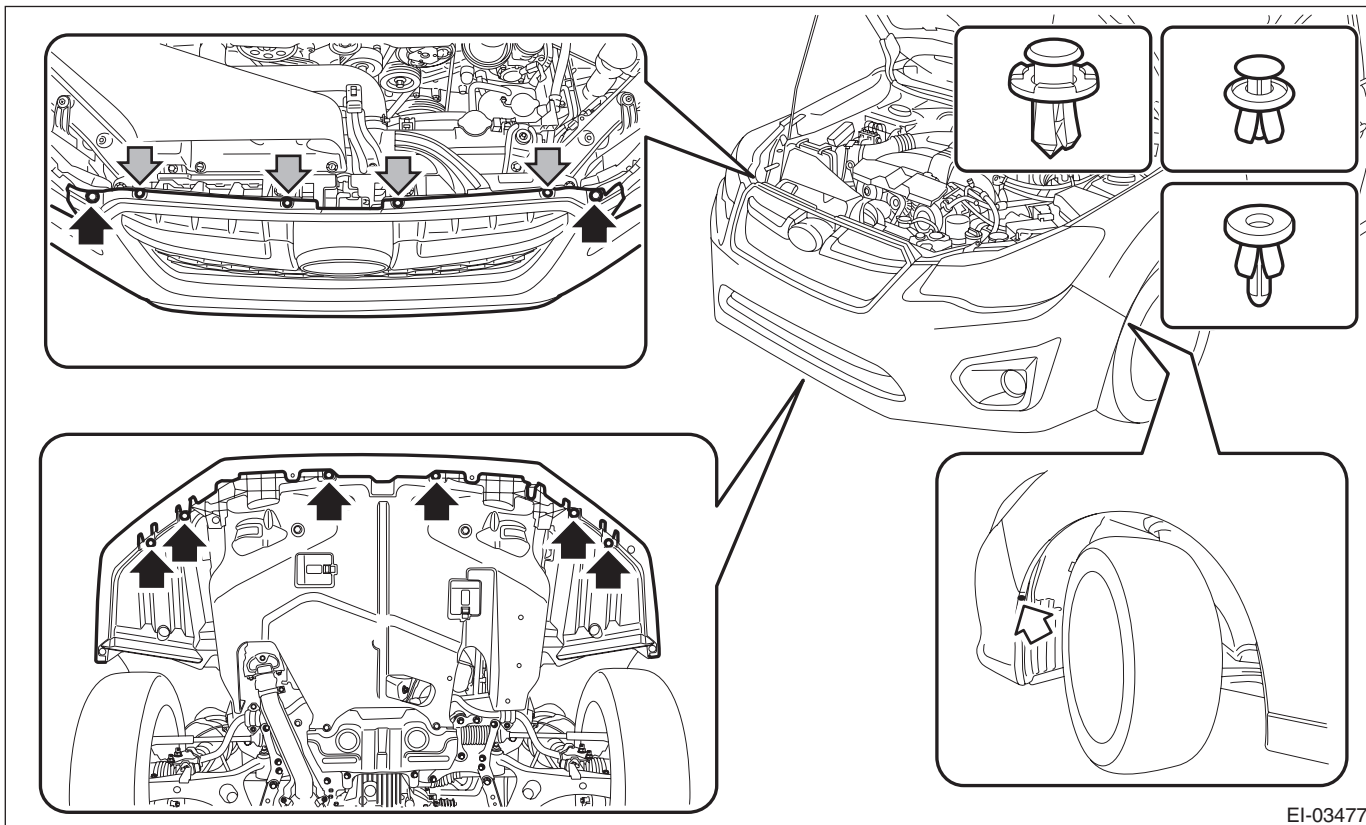
EI-03513

- (2) Remove the clips at the upper side of the bumper.
- (3) Remove the clips from the fender.

Washer Tank and Motor

WIPER AND WASHER SYSTEMS

(4) Remove the clips at the lower side of bumper.



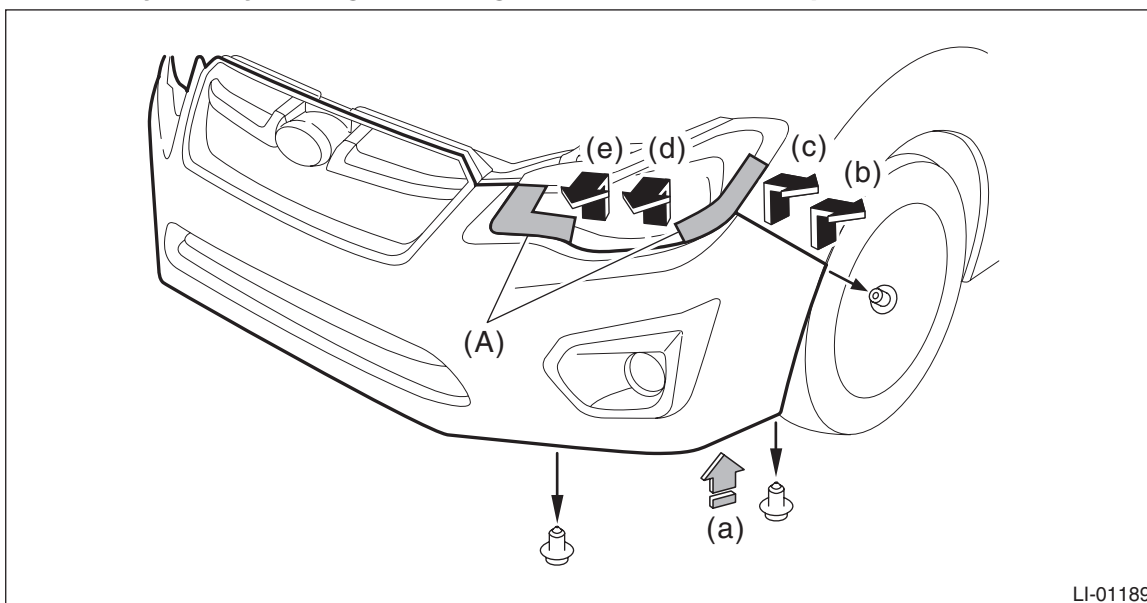
EI-03477

(5) Apply protective tape (A) to the light assembly - head.

(6) Release the clips, and while pushing up the lower side (a) of the bumper face - front, remove in the order from (b) to (e).

CAUTION:

Do not pull forcibly. It may damage the flange sections of the bumper face - front.



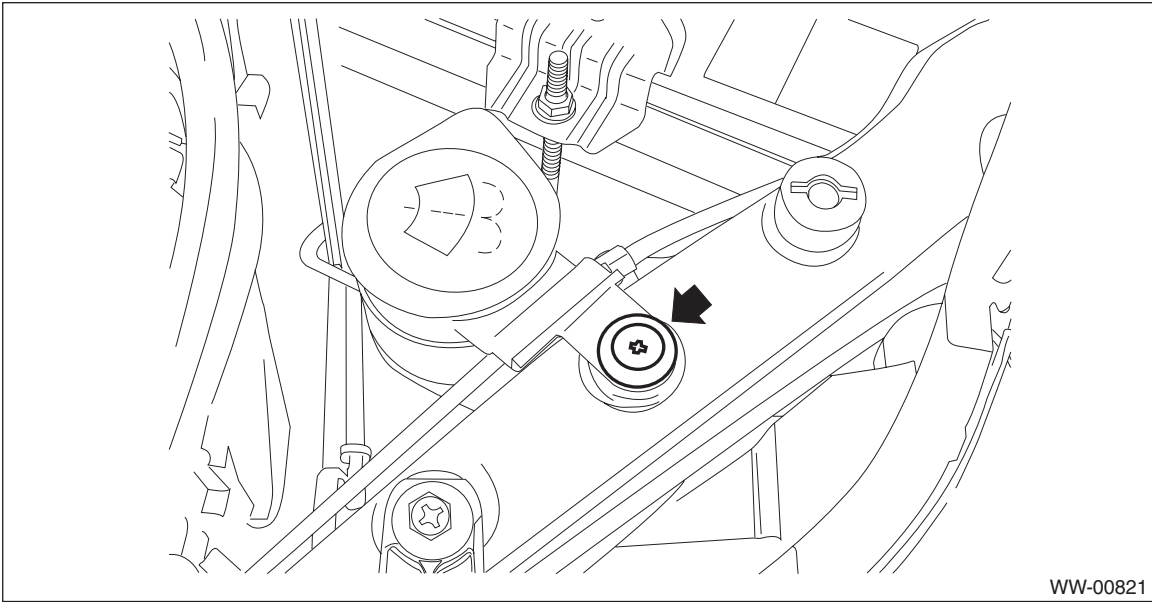
LI-01189

NOTE:

Detach the opposite side in the same manner.

4) Remove the tank - washer assembly.

(1) Remove the clip of the holder - windshield washer tank.

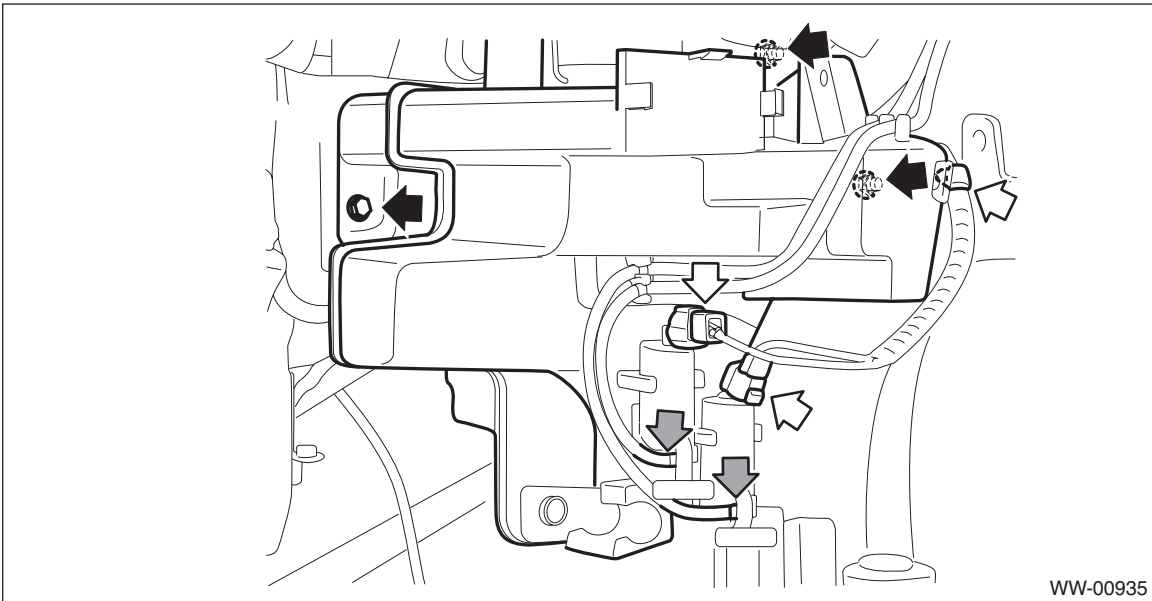


WW-00821

(2) Disconnect the connector from the motor pump assembly - washer and the sensor - washer tank, and then remove the harness clip.

(3) Prepare a container before disconnecting the hose - washer, and drain all washer fluid in the tank - washer.

(4) Remove the bolt and nuts and remove the tank - washer assembly.



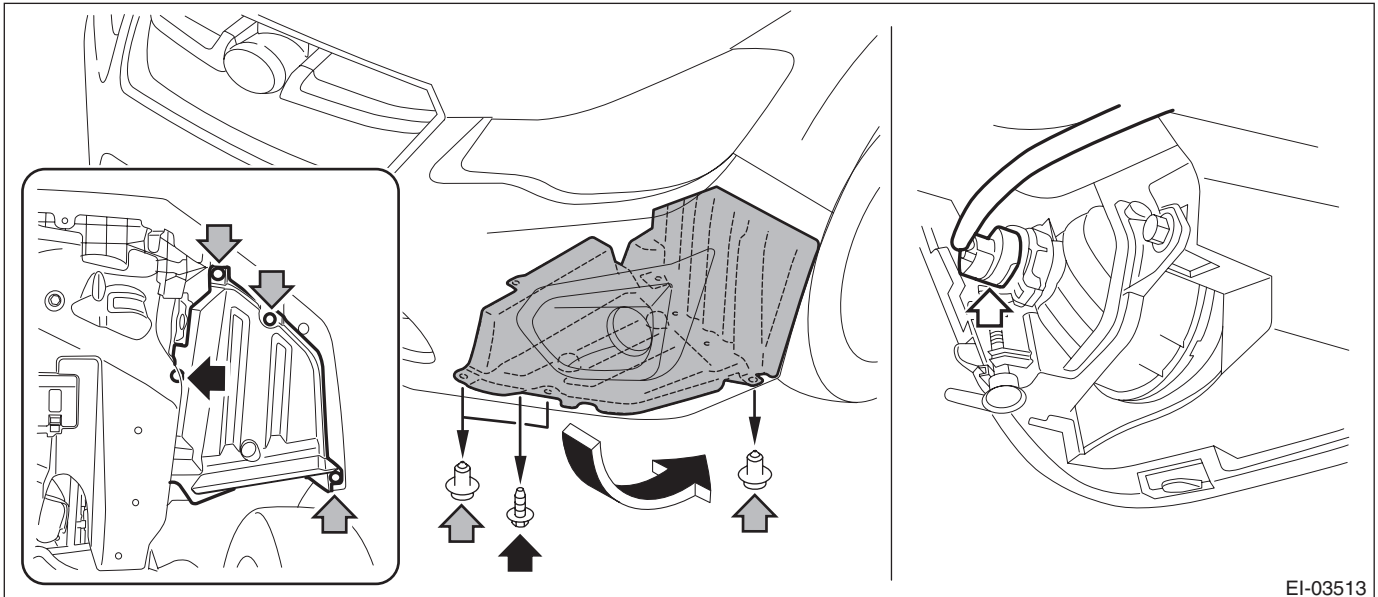
WW-00935

Washer Tank and Motor

WIPER AND WASHER SYSTEMS

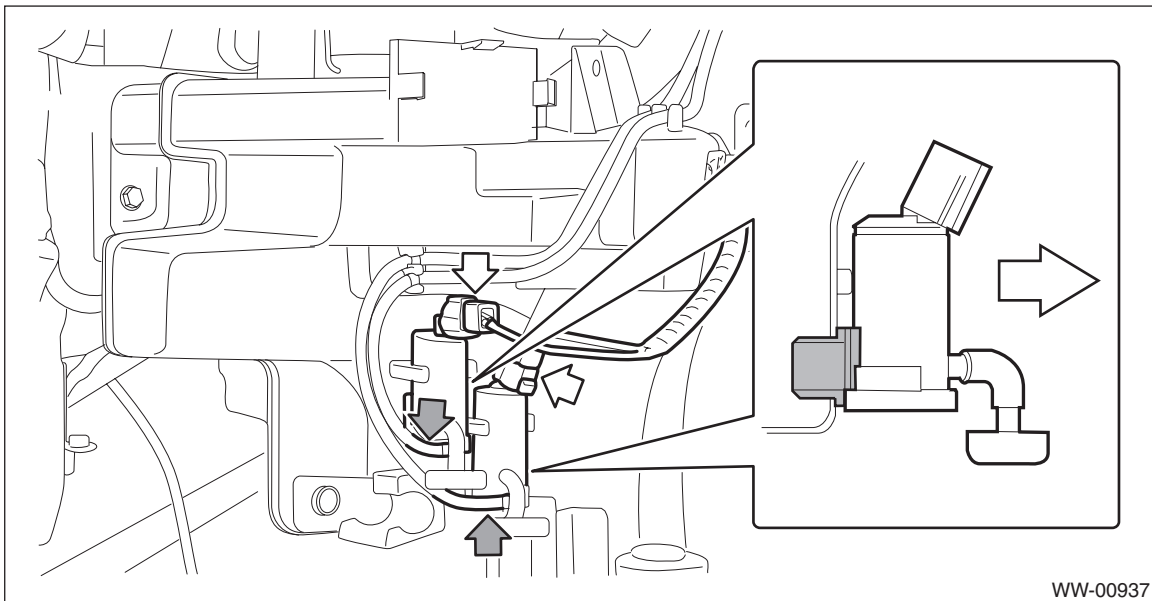
2. WASHER MOTOR

- 1) Open the hood COMPL - front.
- 2) Disconnect the ground cable from battery.
- 3) Remove the clips and screws, turn over the mud guard - front LH, and disconnect the connector of the fog light assembly - front. (Model with fog light)



EI-03513

- 4) Disconnect the connector from the motor pump assembly - washer and remove the harness clip.
- 5) Prepare a container before disconnecting the hose - washer, and drain all washer fluid in the tank - washer.
- 6) Remove the motor pump assembly - washer from the tank - washer.



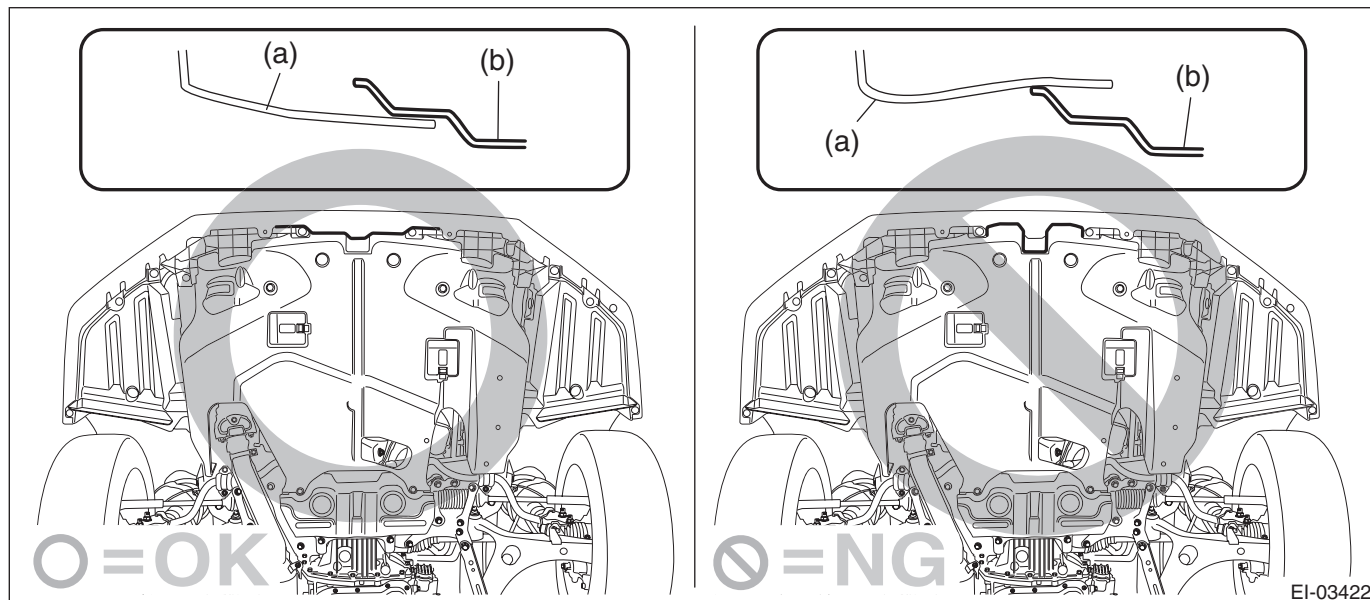
WW-00937

B: INSTALLATION

1) Install each part in the reverse order of removal.

CAUTION:

Install the bumper face - front so that the front end of the under cover (b) comes inside the bumper face - front (a).



Tightening torque:

6 N·m (0.61 kgf·m, 4.4 ft·lb)

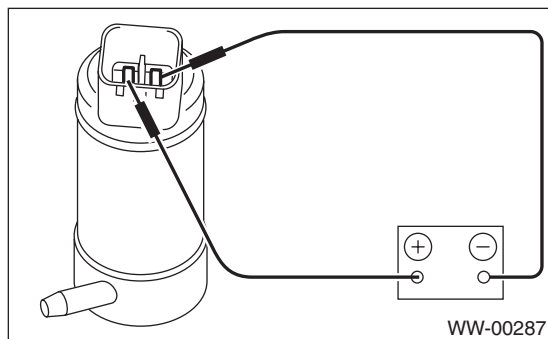
2) Add new washer fluid.

3) Adjust the fog light beam. (Model with fog light) <Ref. to LI-54, FOG LIGHT AIMING, ADJUSTMENT, Front Fog Light Assembly.>

C: INSPECTION

1. WASHER PUMP

Apply battery voltage to the connector terminal of the motor pump assembly - washer, and make sure that the motor operates.

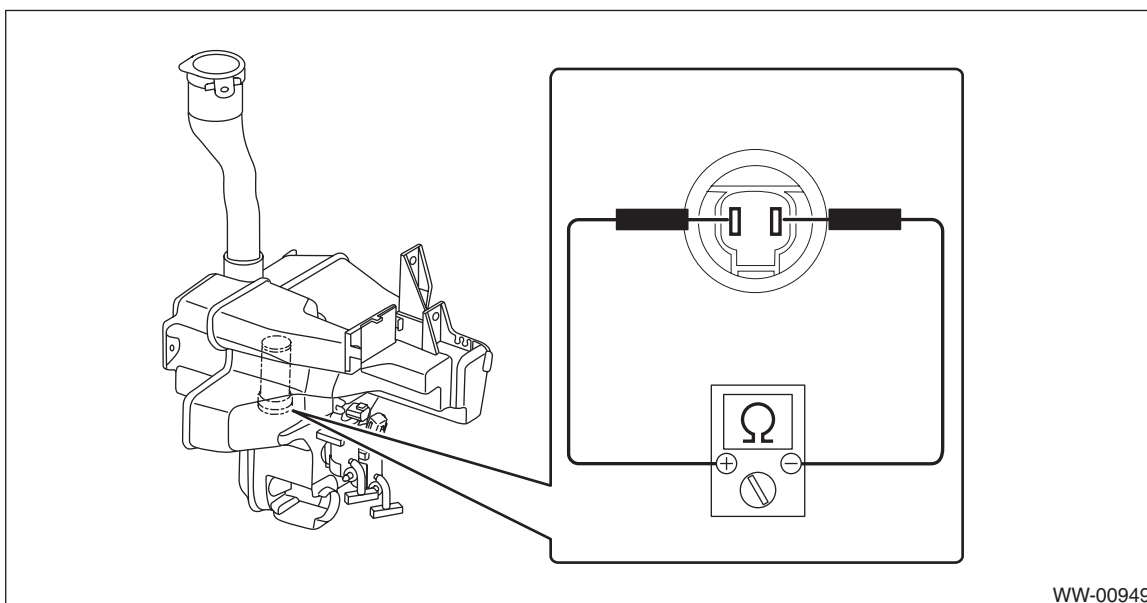


Washer Tank and Motor

WIPER AND WASHER SYSTEMS

2. WASHER FLUID LEVEL SENSOR

- 1) Check the connection status of washer fluid level sensor connector.
- 2) Does the low washer fluid warning light illuminate after draining the washer fluid? And does the low washer fluid warning light go off after refilling the washer fluid?
 - **Yes** → **Normal operation.**
 - **No** → **Perform step 3.**
- 3) Using a tester, measure the voltage of the washer fluid level sensor connector.
 - (1) Is the voltage approx. 8.5 V or more?
 - **Yes** → **Perform step 4.**
 - **No** → **Check harness, meter and integrated unit, and replace if necessary.**
- 4) Does the meter indicator illuminate if you short the washer fluid level sensor connector?
 - **Yes** → **Perform step 5.**
 - **No** → **Check meter and integrated unit, and replace if necessary.**
- 5) Using a tester, measure the resistance of the washer fluid level sensor.
 - (1) Turn over the mud guard.
 - (2) Measure the resistance of the washer fluid level sensor.



Amount of washer fluid in the tank	Standard
No remaining quantity (ON)	Less than 10 Ω
There is remaining quantity (OFF)	1 M Ω or more

- (3) Is the resistance within the standard?
 - **Yes** → **Normal operation.**
 - **No** → **Replace the washer fluid level sensor along with the washer tank.**