

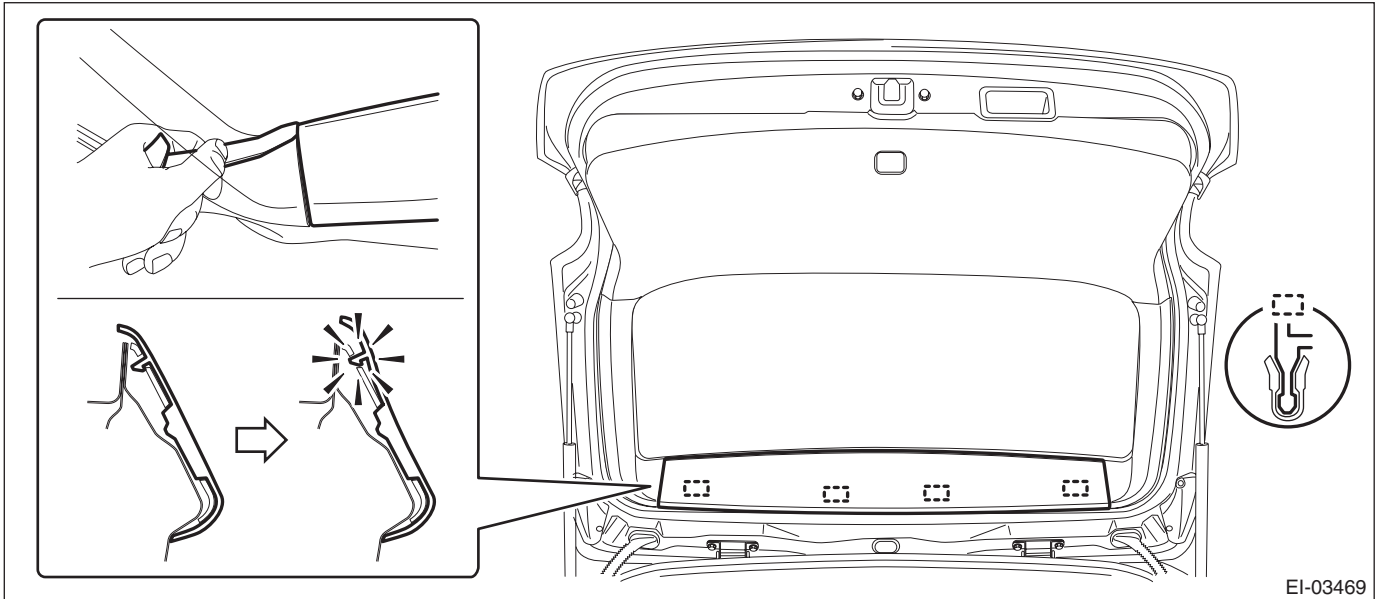
Rear Wiper Motor

WIPER AND WASHER SYSTEMS

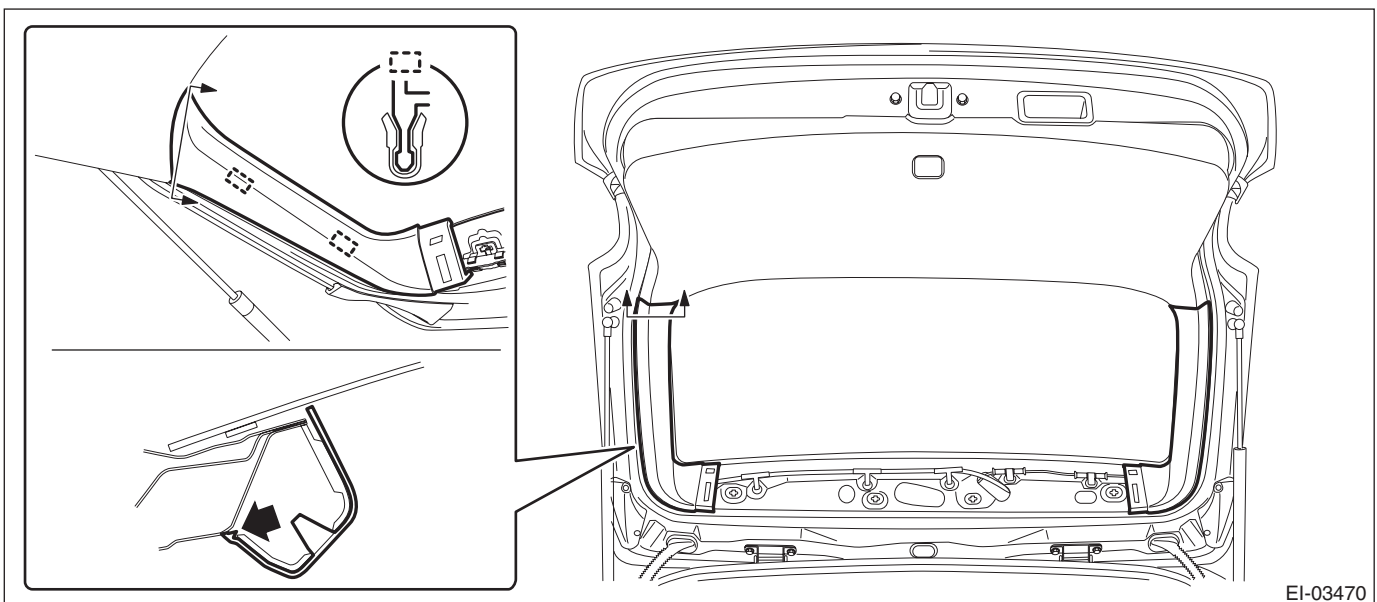
11.Rear Wiper Motor

A: REMOVAL

- 1) Disconnect the ground cable from battery.
- 2) Remove the trim panel - rear gate UPR.
 - (1) Remove the claws on the trim edge.
 - (2) Release the claws in the center of trim, and remove the trim panel - rear gate UPR.

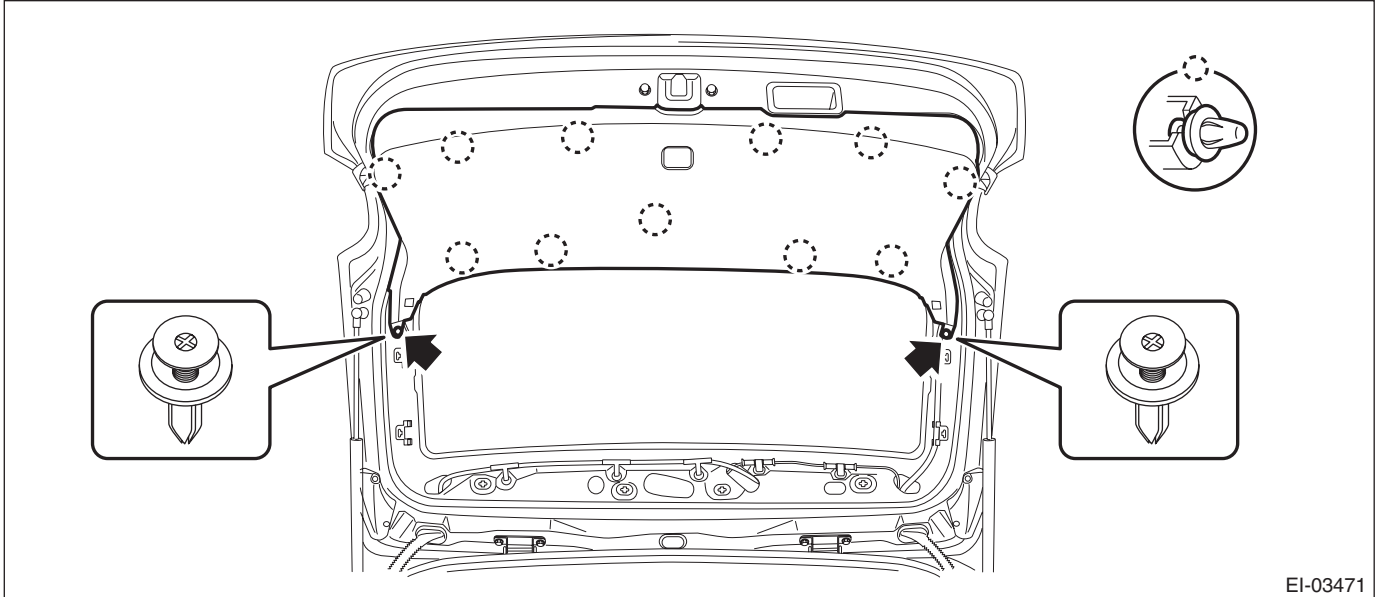


- 3) Remove the trim panel - rear gate pillar side.
 - (1) Release the claws.
 - (2) Remove the claws on the bottom of trim, and remove the trim panel - rear gate pillar side.

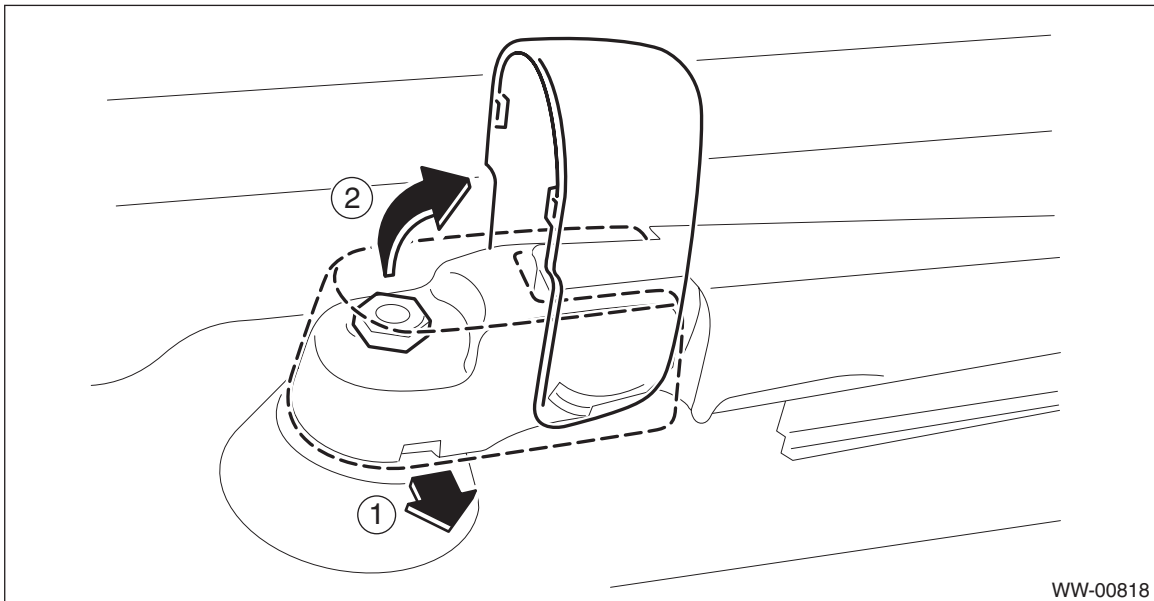


Rear Wiper Motor

- 4) Remove the trim panel - rear gate LWR.
 - (1) Remove the clips on both ends.
 - (2) Release the clips, and remove the trim panel - rear gate LWR.



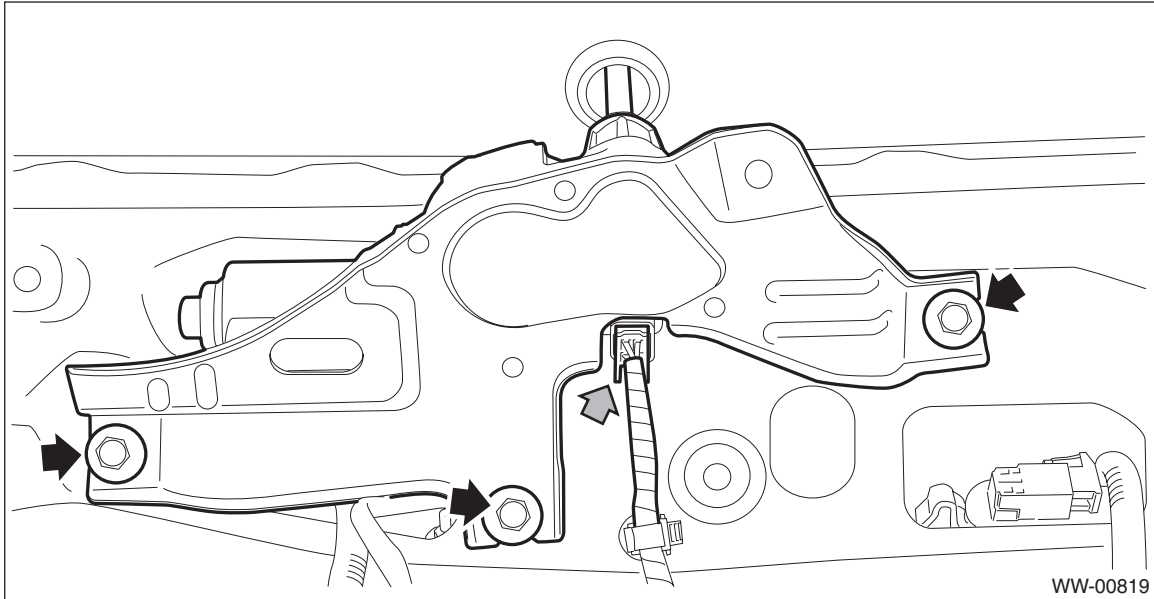
- 5) Remove the arm assembly - rear wiper.
 - (1) Remove the cover - rear wiper arm.
 - (2) Remove the nut, and remove the arm assembly - rear wiper.



Rear Wiper Motor

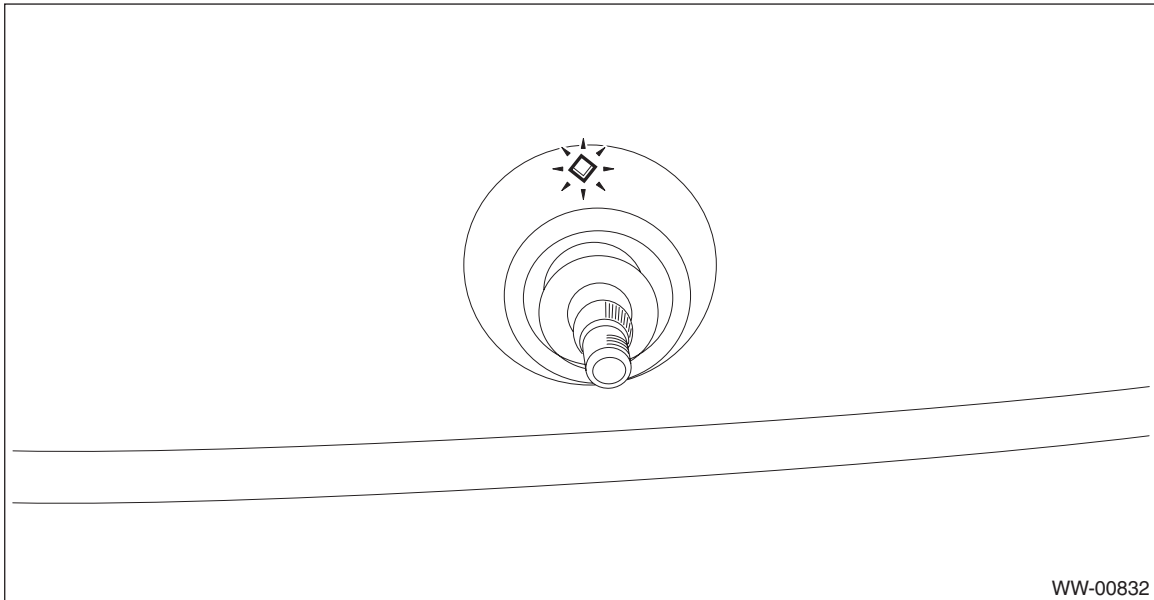
WIPER AND WASHER SYSTEMS

- 6) Remove the motor assembly - rear wiper.
- (1) Disconnect the harness connector of the motor assembly - rear wiper.
 - (2) Remove the bolts, and remove the motor assembly - rear wiper.



B: INSTALLATION

- 1) Install each part in the reverse order of removal.
- 2) Check that the mark on the cap - pivot wiper faces up, as shown in the figure.



Tightening torque:

Refer to "COMPONENT" of "General Description". <Ref. to WW-3, REAR WIPER, COMPONENT, General Description.>

C: INSPECTION

- 1) Connect the battery to the rear wiper motor connector, and check that the motor assembly - rear wiper operates.
- 2) Connect the battery to terminals of the connector, and remove the terminal connection with motor rotating, and stop the motor assembly - rear wiper in mid-operation.
- 3) Connect the battery and check that the motor stops at the automatic stop position after the motor operates at low speed again.

CAUTION:

Fix the motor to prevent the motor from being shorted by moving during operation.

