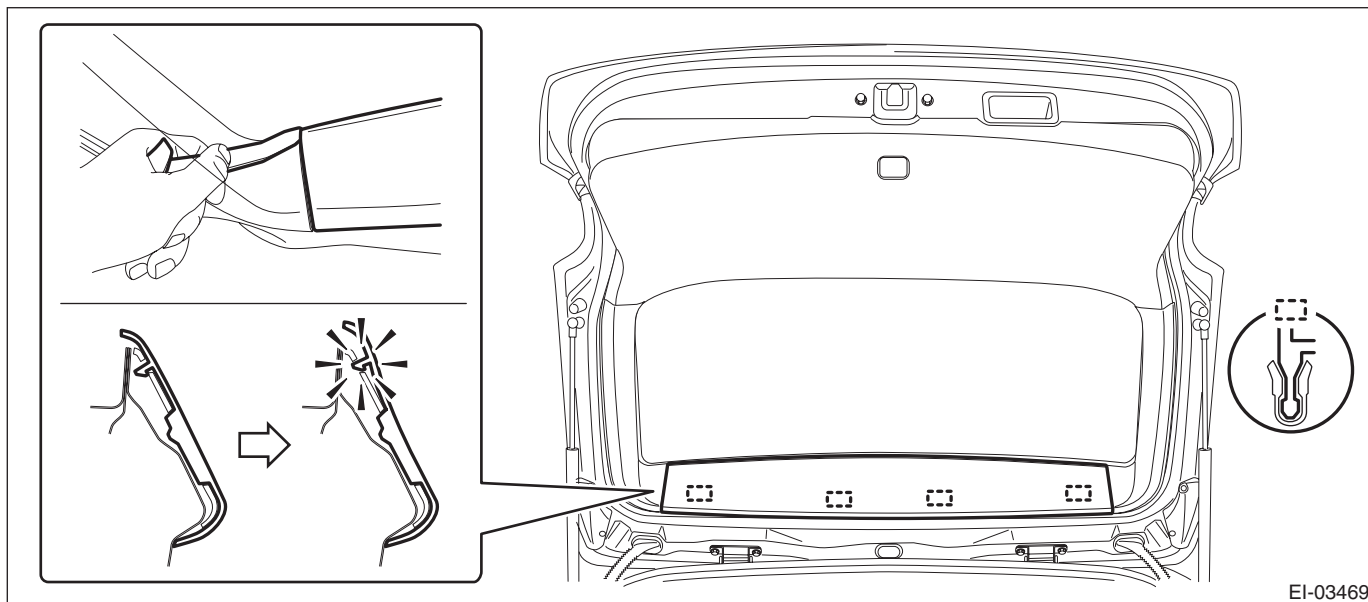


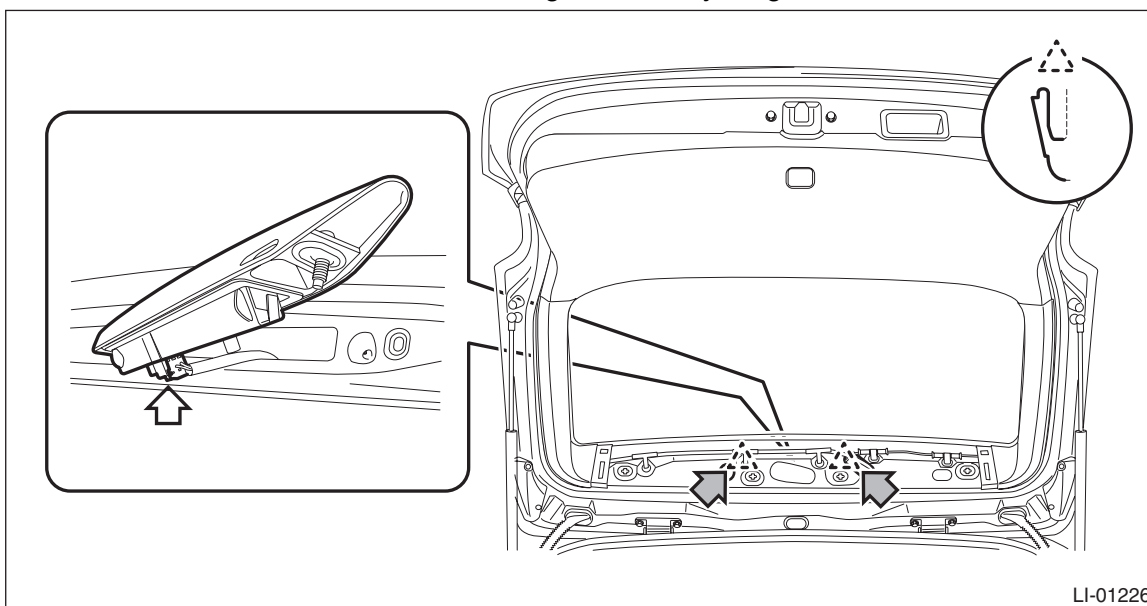
12.Rear Washer

A: REMOVAL

- 1) Disconnect the ground cable from battery.
- 2) Remove the trim panel - rear gate UPR.
 - (1) Remove the claws on the trim edge.
 - (2) Release the claws in the center of trim, and remove the trim panel - rear gate UPR.



- 3) Remove the light assembly - high-mounted.
 - (1) Remove the nut.
 - (2) Disconnect the connector and remove the light assembly - high-mounted.

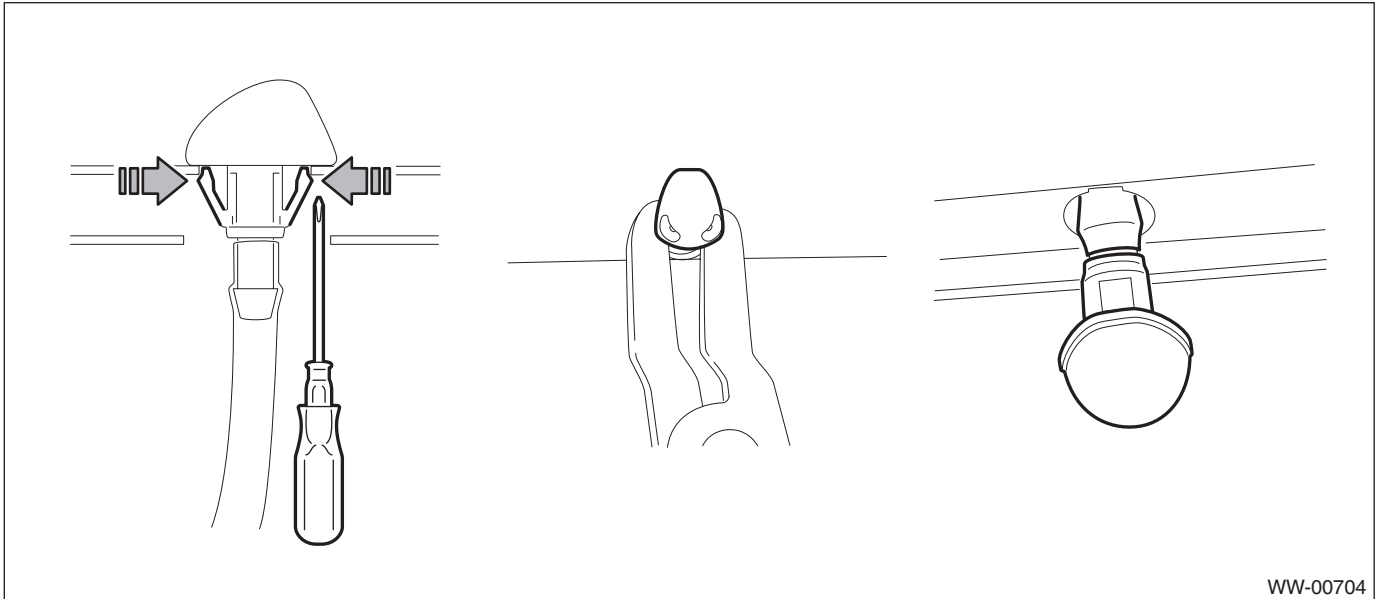


4) Remove the nozzle - rear washer.

CAUTION:

Before removing, apply protective tape to the body panel and used tools not to damage the panel - rear gate.

- (1) Push the claw using a flat tip screwdriver, etc.
- (2) When the nozzle - rear washer lifts up, pull out the nozzle - rear washer using a clip remover, etc.
- (3) Disconnect the hose - rear washer, and remove the nozzle - rear washer.



B: INSTALLATION

1) Install each part in the reverse order of removal.

Tightening torque:

Light assembly - high-mounted: 4.5 N·m (0.46 kgf-m, 3.3 ft-lb)

2) Check the nozzle - rear washer position. <Ref. to WW-46, VISUAL INSPECTION, INSPECTION, Rear Washer.>

Rear Washer

WIPER AND WASHER SYSTEMS

C: INSPECTION

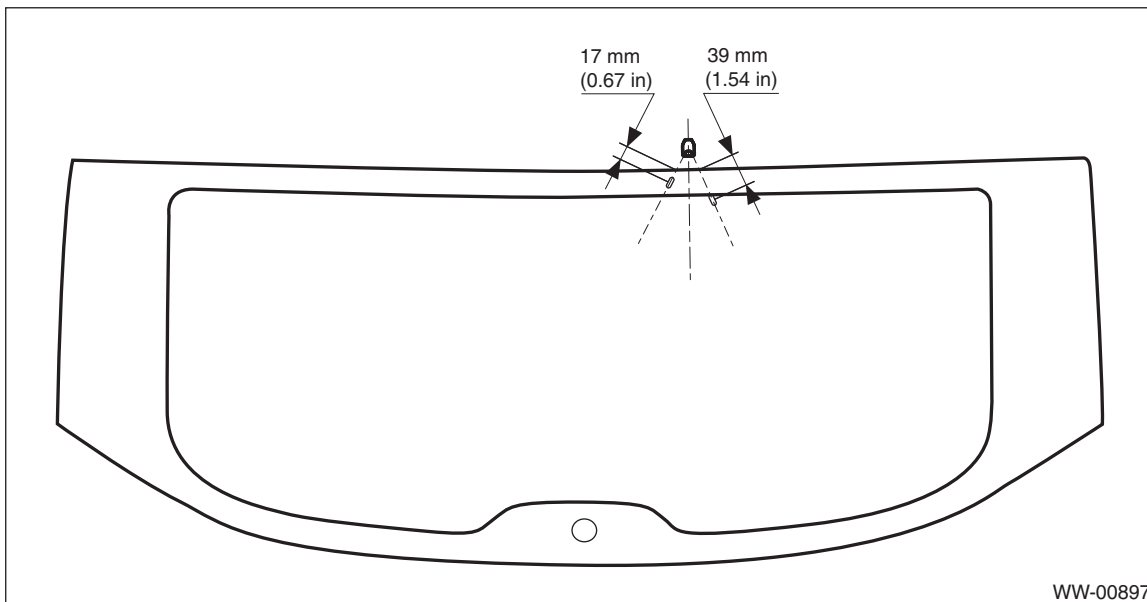
1. VISUAL INSPECTION

Check for the following items, and if any malfunction is found, replace the corresponding part.

- Make sure the nozzle - rear washer and the hose - rear washer are not clogged.
- Make sure the hose - rear washer is not bent.

2. INSPECTING THE SPRAY POSITION

- 1) Turn the wiper switch to OFF position.
- 2) While the vehicle is stopped, check that the washer spray position is as shown in the figure.
- 3) After inspection, if the spray position is significantly out of the specified range, replace the nozzle - rear washer with a new part.



	Page
1. General Description	2
2. Audio System	3
3. Navigation System	4
4. Audio	7
5. Front Speaker	9
6. Rear Speaker	12
7. Antenna	14
8. Steering Satellite Switch	25
9. Navigation Body	31
10. GPS Antenna	33
11. Rearview Camera System	37
12. Front Accessory Power Supply Socket	46
13. Rear Accessory Power Supply Socket	49
14. AUX Input Terminal	50