

3. Navigation System

A: WIRING DIAGRAM

Refer to “Navigation System” in the wiring diagram. <Ref. to WI-110, WIRING DIAGRAM, Navigation System.>

B: INSPECTION

NOTE:

If no problems are found in “CHECK NAVIGATION OPERATION”, “CHECK EACH CONNECTION” and “CHECK EACH VEHICLE SIGNAL” as described below, check the navigation system circuit. <Ref. to WI-110, WIRING DIAGRAM, Navigation System.>

1. CHECK NAVIGATION OPERATION

Start the engine and check that the opening screen is displayed.

Standard: Opening screen is displayed.

OK: Normal.

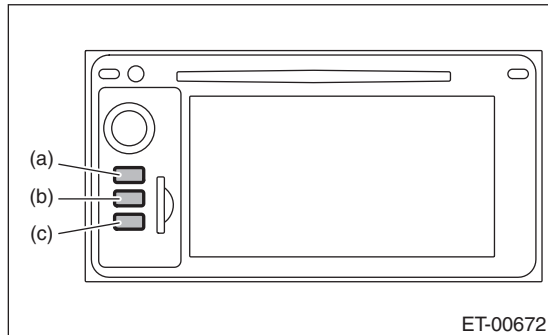
NG: If the screen is not displayed, check the following items.

- The map disk (SD CARD) is set in the navigation system unit.
- Check the connection of the power supply connector at the backside of the navigation unit. If wire connection is correct or has got repaired, check again that the opening screen is displayed.

If it is not displayed at this time, it indicates the navigation unit trouble.

2. CHECK EACH CONNECTION

1) With the main power OFF, press and hold the button (c) for 3 seconds or more while pressing the buttons (a) and (b).

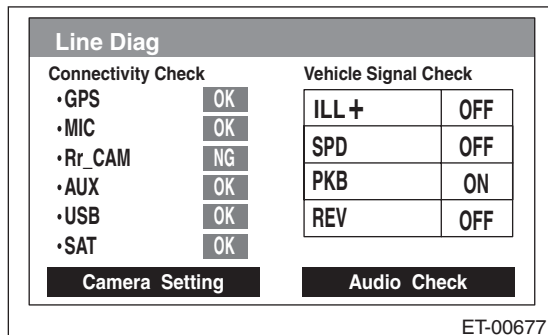


NOTE:

Diagnostic mode can be cancelled by pressing the button (a) for 3 seconds or more, or turning the ignition switch from ACC OFF to ON position.

2) Line Diag screen is displayed.

3) Check the connection status by monitoring each item in “Connectivity Check” displayed on the left of the screen.



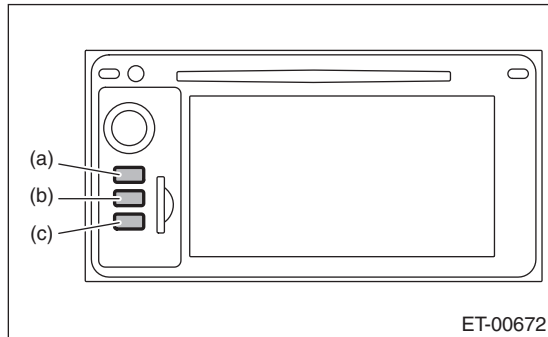
OK: Each connection device is connected correctly.

NG: No connection or faulty connection has been detected.

4) Check the connection status of the connector. If there are no problems, the connection device or unit body could be faulty.

3. CHECK EACH VEHICLE SIGNAL

1) With the main power OFF, press and hold the button (c) for 3 seconds or more while pressing the buttons (a) and (b).

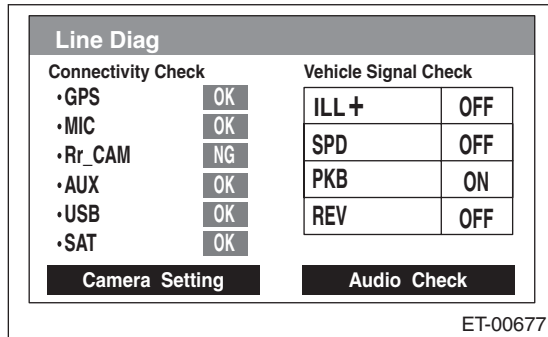


NOTE:

Diagnostic mode can be cancelled by pressing the button (a) for 3 seconds or more, or turning the ignition switch from ACC OFF to ON position.

2) Line Diag screen is displayed.

3) Check the connection status by monitoring each item in “Vehicle Signal Check” displayed on the right of the screen.



• **Check illumination**

NOTE:

Before starting inspections, turn the ignition switch to ON.

1) Turn the lighting switch to level 1.

Make sure that the bright switch is not turned ON at this time.

2) Make sure that “ON” lights in ILL+ and then the screen becomes dim.

ON: Normal.

OFF: Abnormal. Check the signal line connector. If there are no problems, the unit could be faulty.

• **Check speed sensor**

NOTE:

- Before starting inspections, check the safety around the vehicle.

- Lift up the vehicle as necessary.

- When the diagnostic trouble code is input in the VDCCM, perform the Clear Memory operation.

1) Drive the vehicle at 9 km/h (6 mph) or more.

2) Check that “ON” is displayed in SPD.

ON: Normal.

OFF: Vehicle speed is less than 7 km/h (4 mph), or abnormality is found in the signal line. Check the signal line connector. If there are no problems, the unit could be faulty.

Navigation System

ENTERTAINMENT

- **Check parking brake signal**

- 1) Pull parking brake lever.
- 2) Check that "ON" is displayed in PKB.

ON: Normal.

OFF: Abnormal. Check the signal line connector. If there are no problems, the unit could be faulty.

- **Check back sensor**

NOTE:

Before starting inspections, check the safety around the rear end of the vehicle and then turn the ignition switch to ON.

- 1) Pull the parking brake and depress the brake, then put the gear in reverse.
- 2) Make sure that "ON" is displayed in REV.

ON: Normal.

OFF: Abnormal. Check the signal line connector. If there are no problems, the unit could be faulty.

C: NOTE

For procedure of each component in the navigation system, refer to the respective section.

- Navigation unit: <Ref. to ET-31, Navigation Body.>
- GPS antenna: <Ref. to ET-33, GPS Antenna.>
- Rearview camera: <Ref. to ET-33, GPS Antenna.>