

5. Front Speaker

A: REMOVAL

1. TWEETER

- 1) Disconnect the ground cable from battery.
- 2) Remove the speaker assembly - tweeter.
 - (1) Release the clips and claws, then detach the grille speaker side.

NOTE:

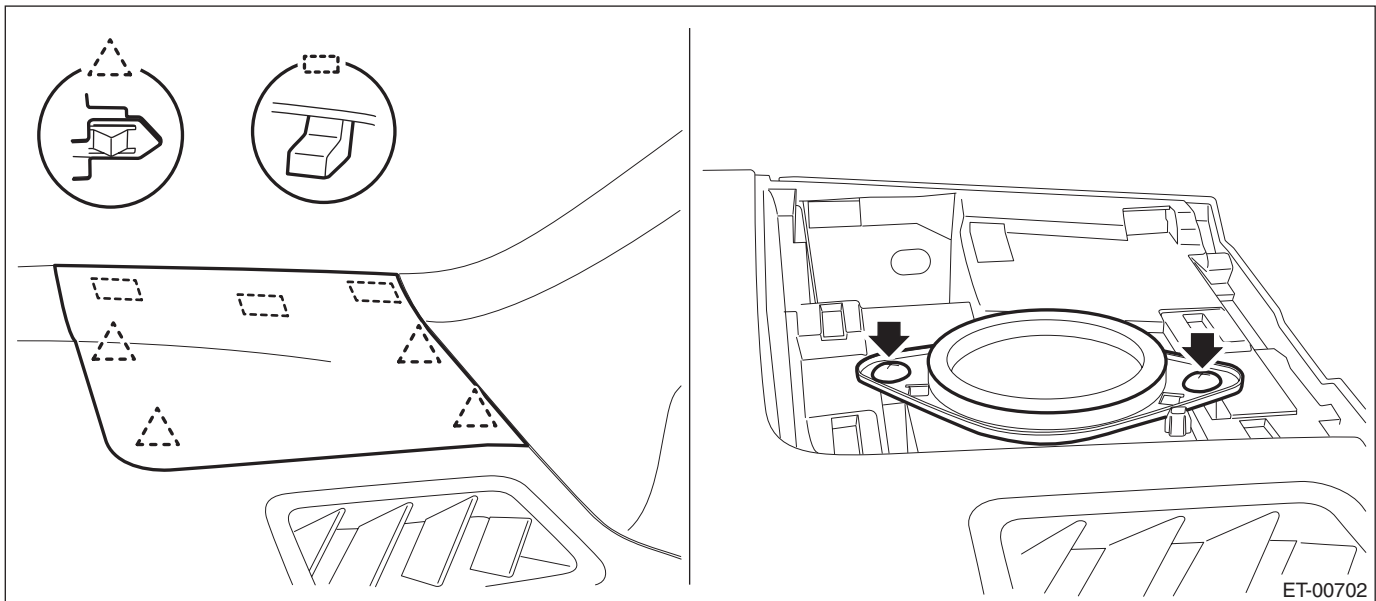
Remove the grille speaker side by using a plastic remover.

- (2) Remove the screws.

PREPARATION TOOL:

Stubby screwdriver

- (3) Disconnect the connector and remove the speaker assembly - tweeter.

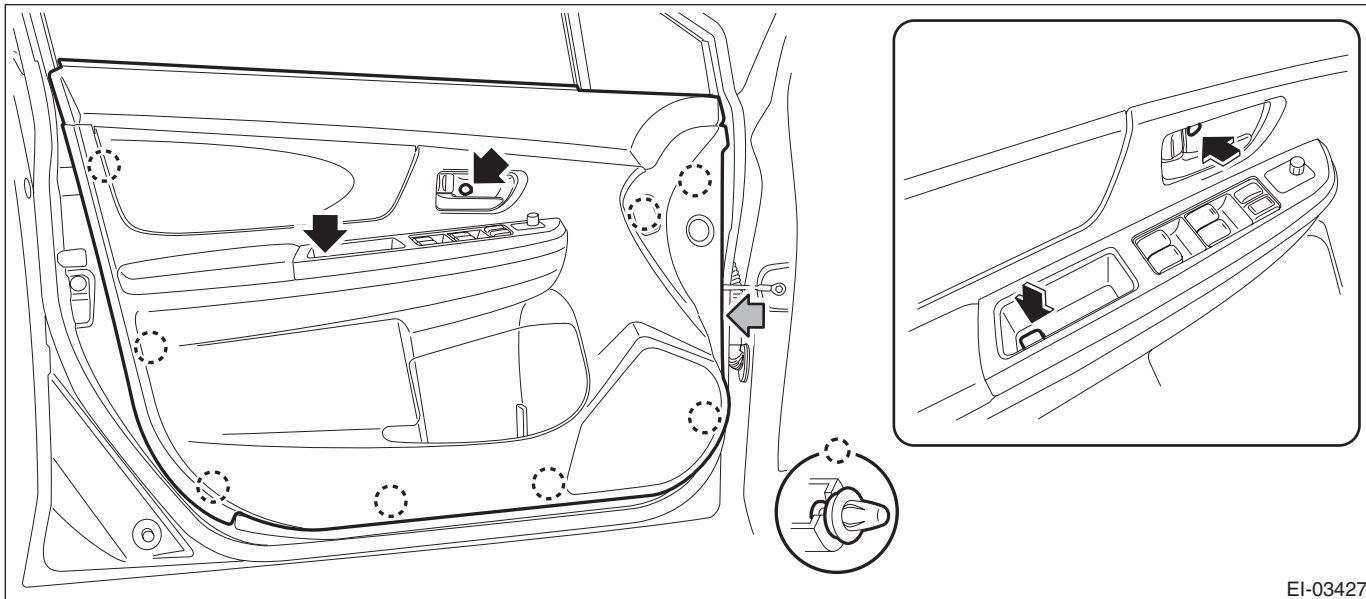


Front Speaker

ENTERTAINMENT

2. DOOR SPEAKER

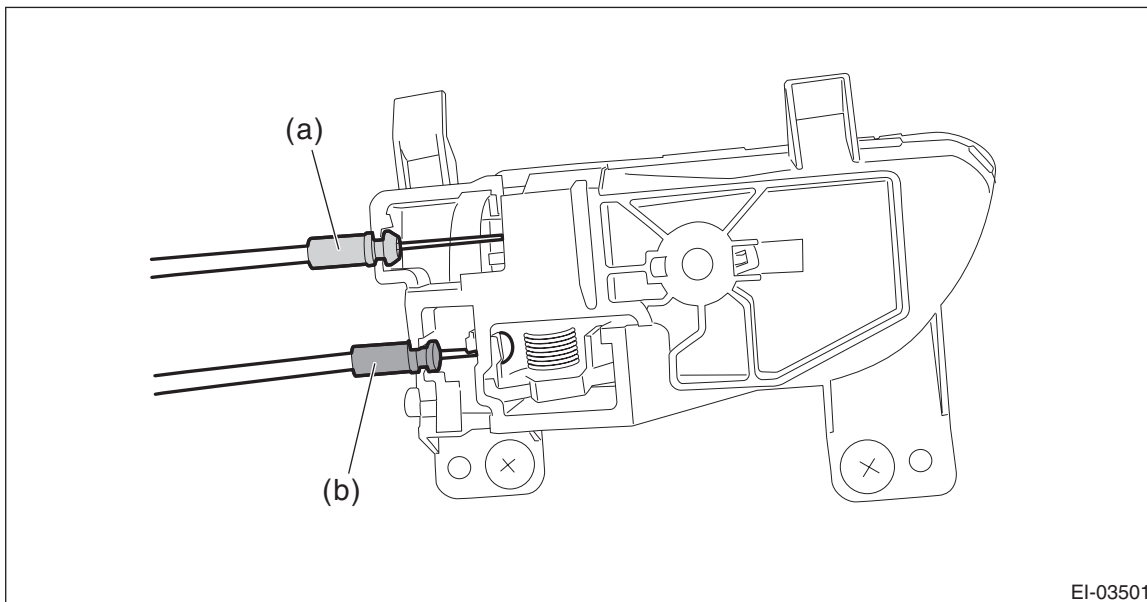
- 1) Disconnect the ground cable from battery.
- 2) Remove the trim panel - front door.
 - (1) Open the cover and remove the screw.
 - (2) Remove the clips, and remove the trim panel - front door from the panel assembly - front door.



NOTE:

It is easier to remove the door trim if the removal is performed from the gray arrow section.

- (3) Detach the door lock cable (a) and door open cable (b) from the remote assembly - door.

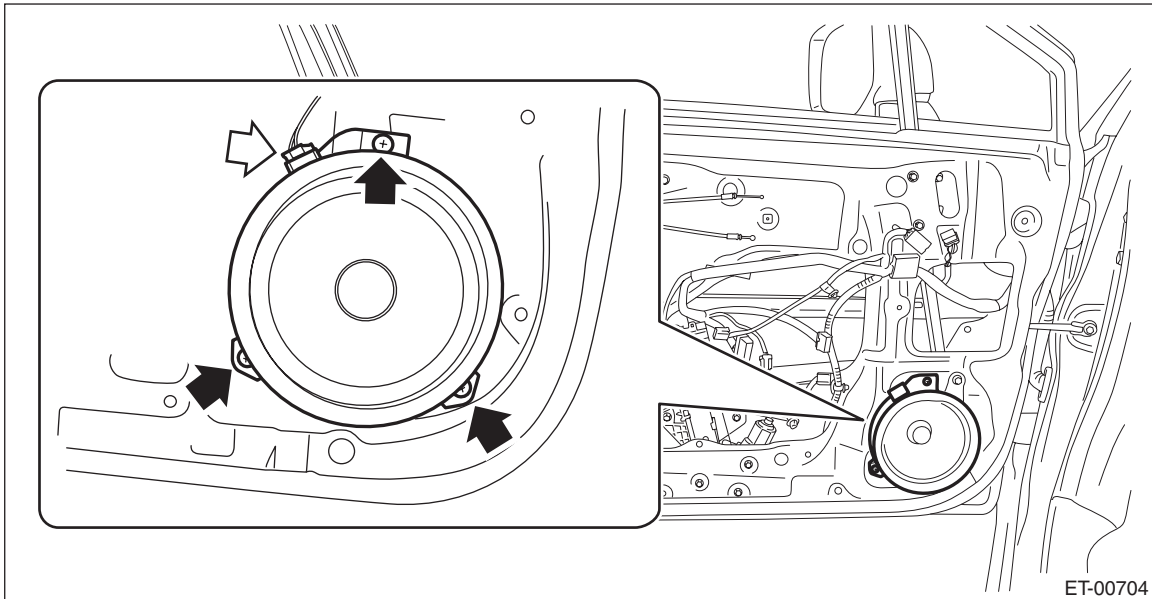


- (4) Disconnect the harness connector and remove the trim panel - front door.

3) Remove the front door speaker assembly.

(1) Remove the screws.

(2) Disconnect the connector, and remove the front door speaker assembly.



B: INSTALLATION

Install each part in the reverse order of removal.

NOTE:

Attach the door lock cable (a - end ball: small) to the upper side, and attach the door open cable (b - end ball: large) to the lower side.

