

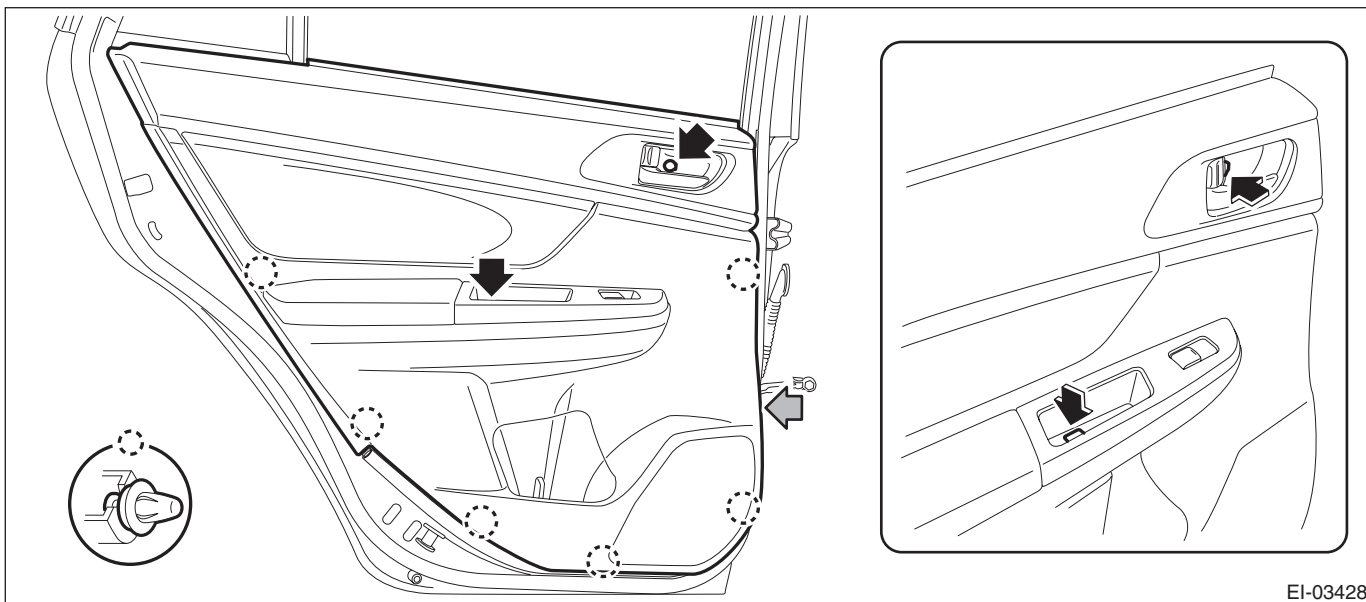
# Rear Speaker

ENTERTAINMENT

## 6. Rear Speaker

### A: REMOVAL

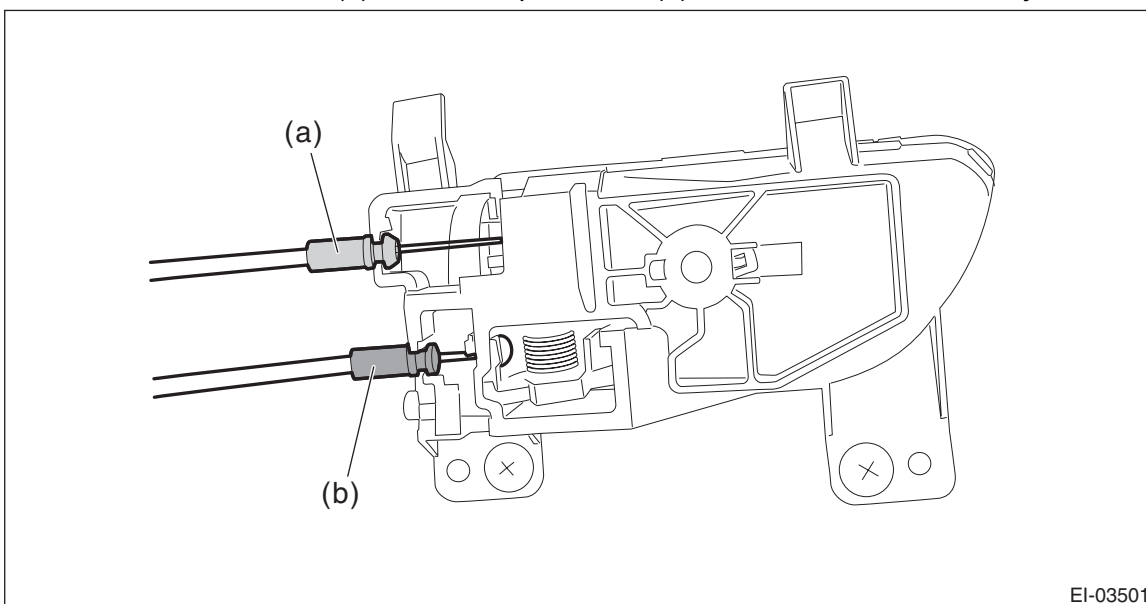
- 1) Disconnect the ground cable from battery.
- 2) Remove the trim panel - rear door.
  - (1) Open the cover and remove the screw.
  - (2) Remove the clips, and remove the trim panel - rear door from the panel assembly - rear door.



#### NOTE:

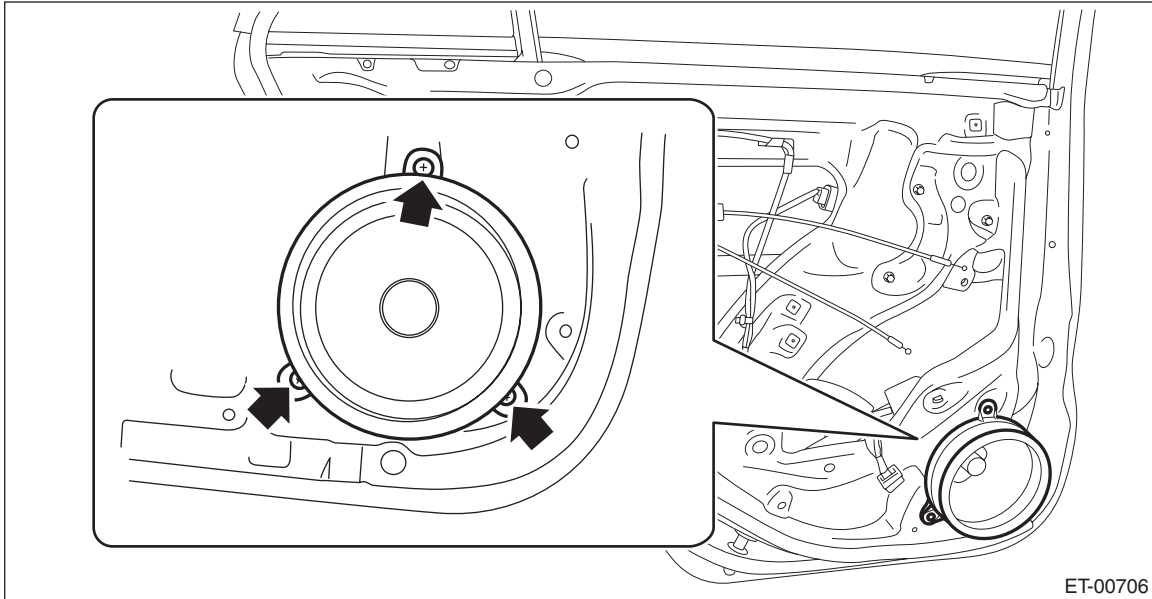
It is easier to remove the door trim if the removal is performed from the gray arrow section.

- (3) Detach the door lock cable (a) and door open cable (b) from the remote assembly - door.



- (4) Disconnect the harness connector and remove the trim panel - rear door.

- 3) Remove the rear speaker assembly.
  - (1) Remove the screws.
  - (2) Disconnect the connector behind the speaker and remove the rear speaker assembly.



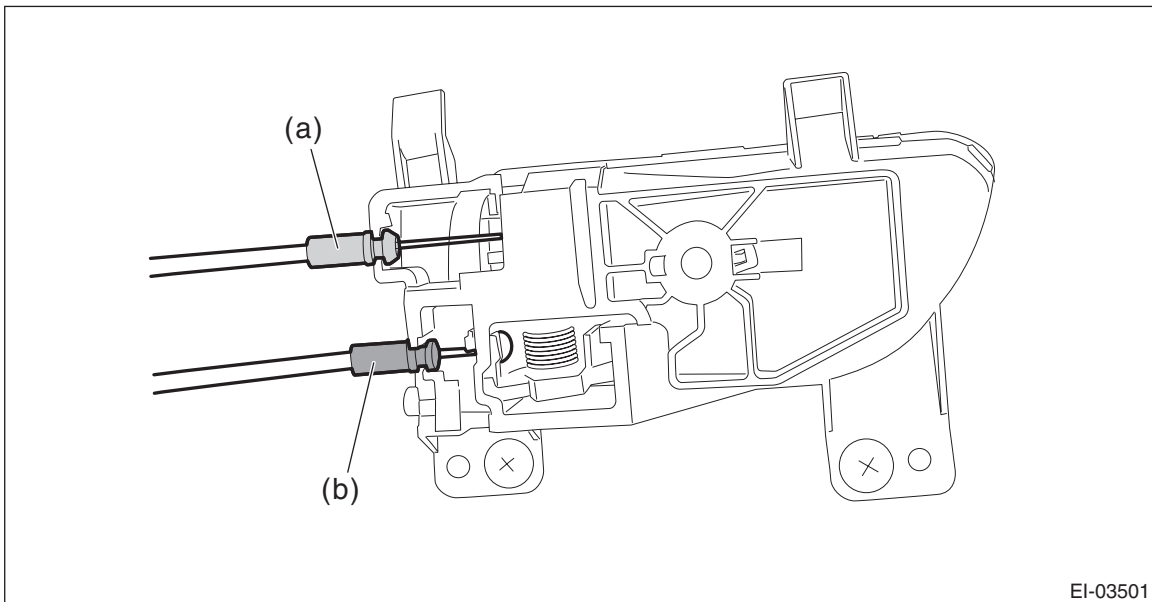
ET-00706

## B: INSTALLATION

Install each part in the reverse order of removal.

### NOTE:

Attach the door lock cable (a - end ball: small) to the upper side, and attach the door open cable (b - end ball: large) to the lower side.



EI-03501