

## 7. Antenna

### A: REMOVAL

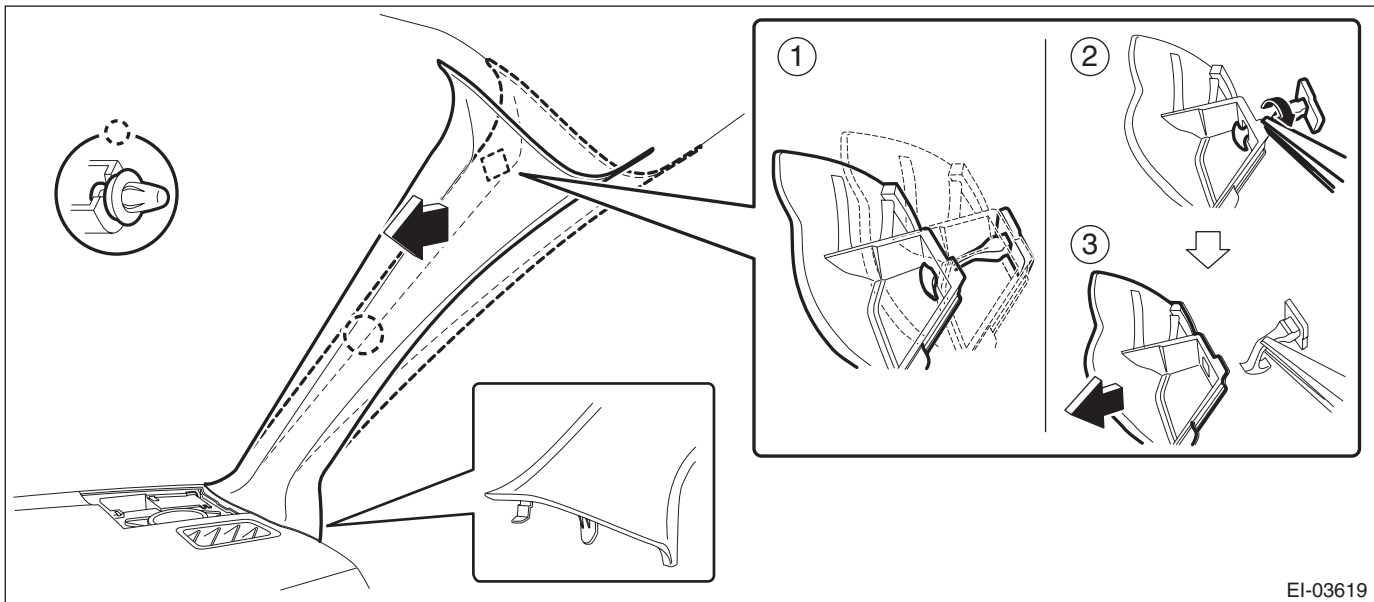
#### 1. ANTENNA

- 1) Disconnect the ground cable from battery and wait for at least 60 seconds before starting work.
- 2) Remove the trim panel - front pillar UPR on the left and right sides.
  - (1) Pull the upper part of the trim panel - front pillar UPR towards the center of the vehicle.
  - (2) Insert long-nose pliers into the top part of the trim, grip the tether clip with the pliers and twist 90° in that position.

#### CAUTION:

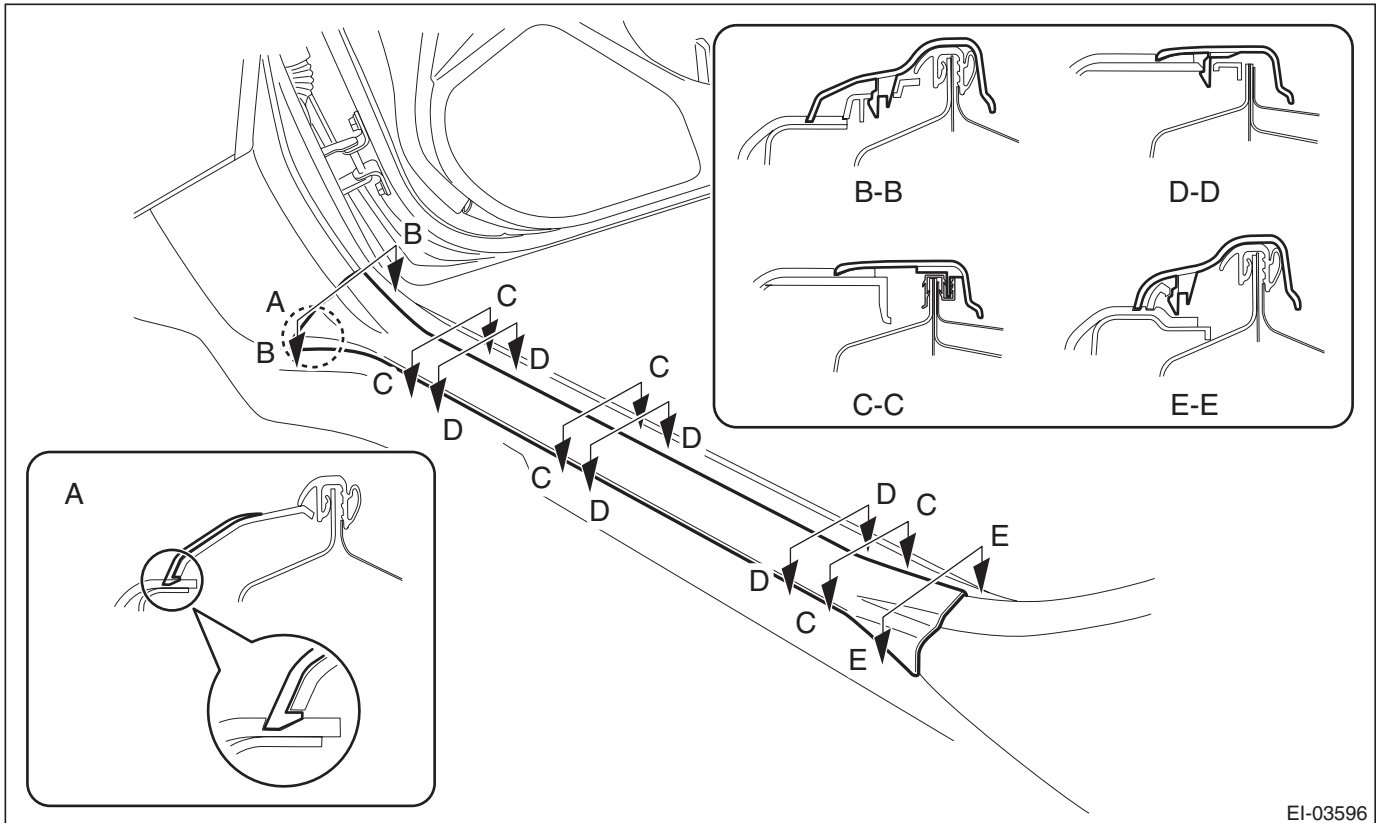
**Be careful not to damage the pillar trim surface and curtain airbag module when inserting the pliers.**

- (3) Holding the tether clip twisted as in the previous step, remove the trim panel - front pillar UPR from the tether clip.
- (4) Remove the clips, and remove the trim panel - front pillar UPR.



EI-03619

3) Release the claws, and then remove the cover side sill - front INN on LH and RH sides.



EI-03596

4) Remove the rear seat cushion assembly.

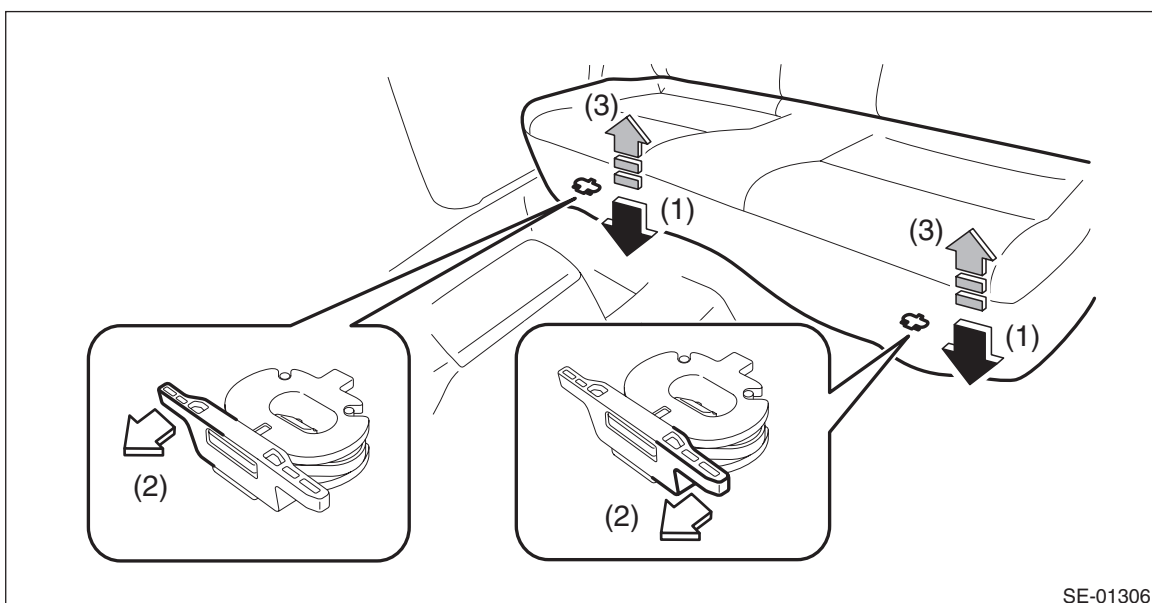
(1) Push the corners of the rear seat cushion from above.

(2) While pushing the corners of the rear seat cushion from above, pull the knob of the hook - seat cushion rear towards yourself.

(3) While pulling the knob towards yourself, disconnect the hooks by lifting up the rear seat cushion.

NOTE:

Pull the left side of the knob to disconnect the LH side hook, and pull the right side of the knob to disconnect the RH side hook.

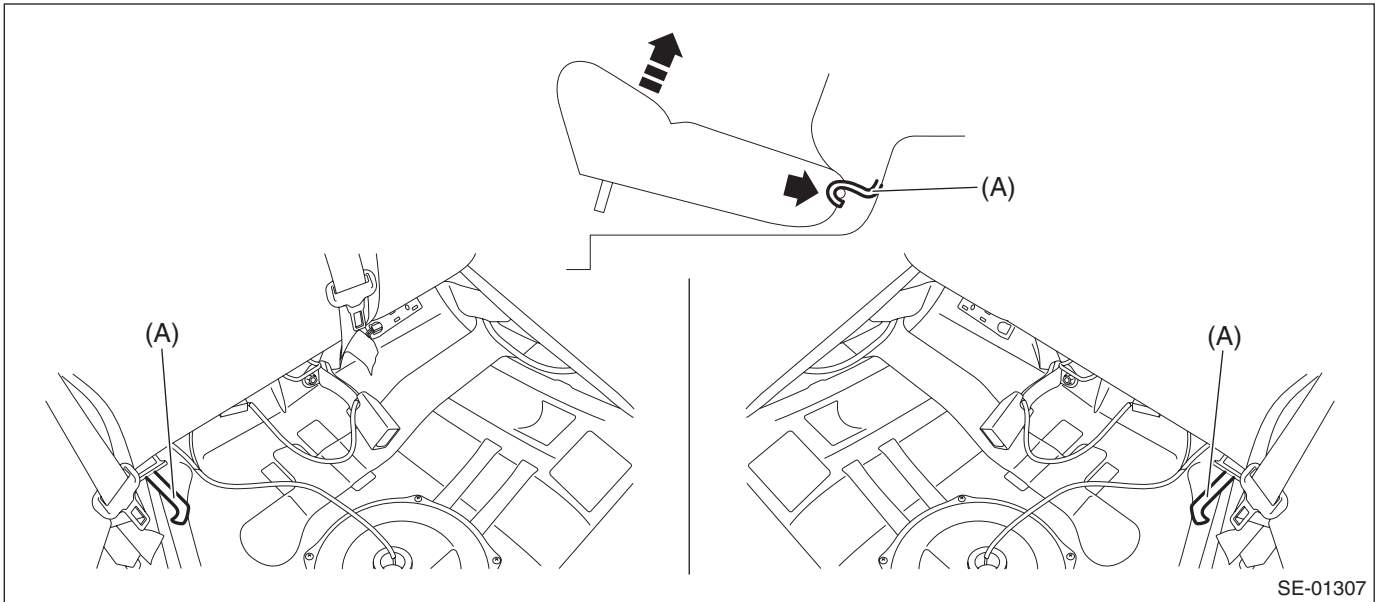


SE-01306

# Antenna

## ENTERTAINMENT

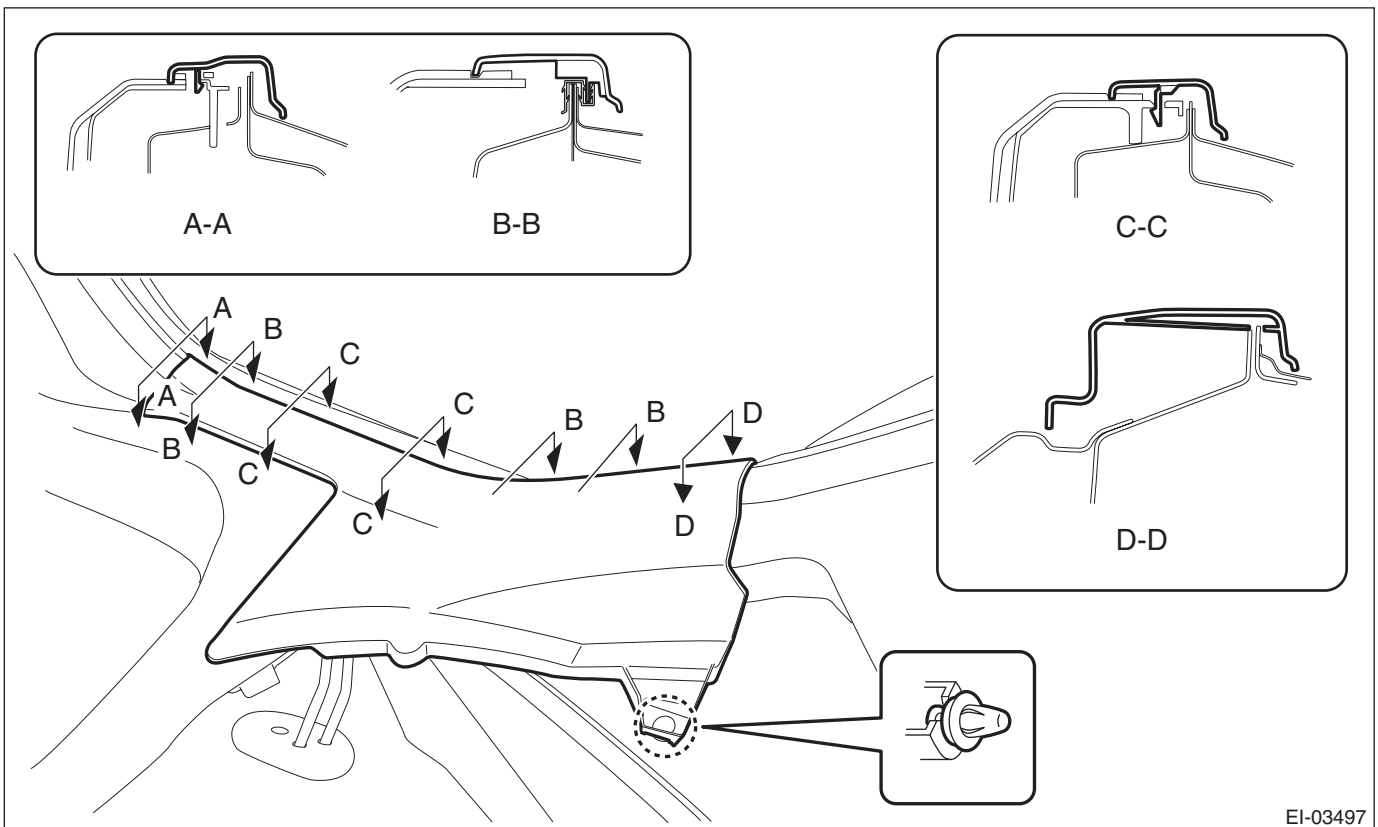
(4) Remove the hook (A) by pushing it back while lifting the front side of the rear seat cushion, and remove the rear seat cushion.



5) Release the clips and claws, and remove the cover side sill - rear INN on LH and RH sides.

### CAUTION:

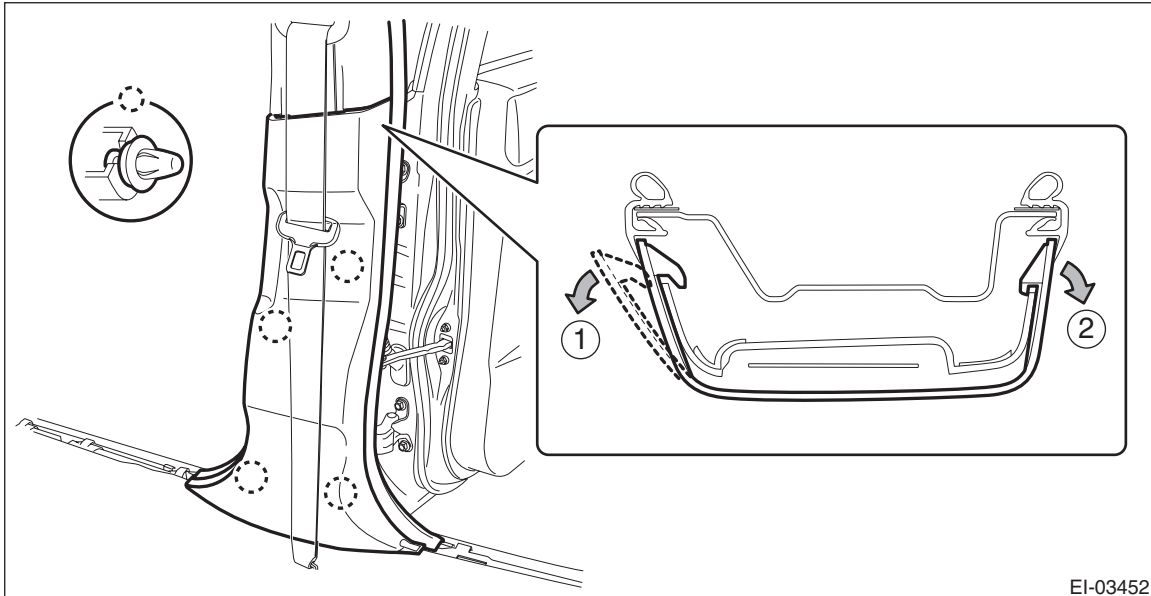
Do not pull with excessive force. Doing so may damage the claws of the cover side sill - rear INN.



- 6) Remove the trim panel - center pillar LWR on the left and right sides.
- (1) Release the clip by pulling the trim panel - center pillar LWR toward you.
  - (2) Expand the claws of the trim panel - center pillar LWR outward, and remove it from the trim panel - center pillar UPR.

**CAUTION:**

**Do not expand the trim panel - center pillar LWR excessively. Doing so may damage the trim.**



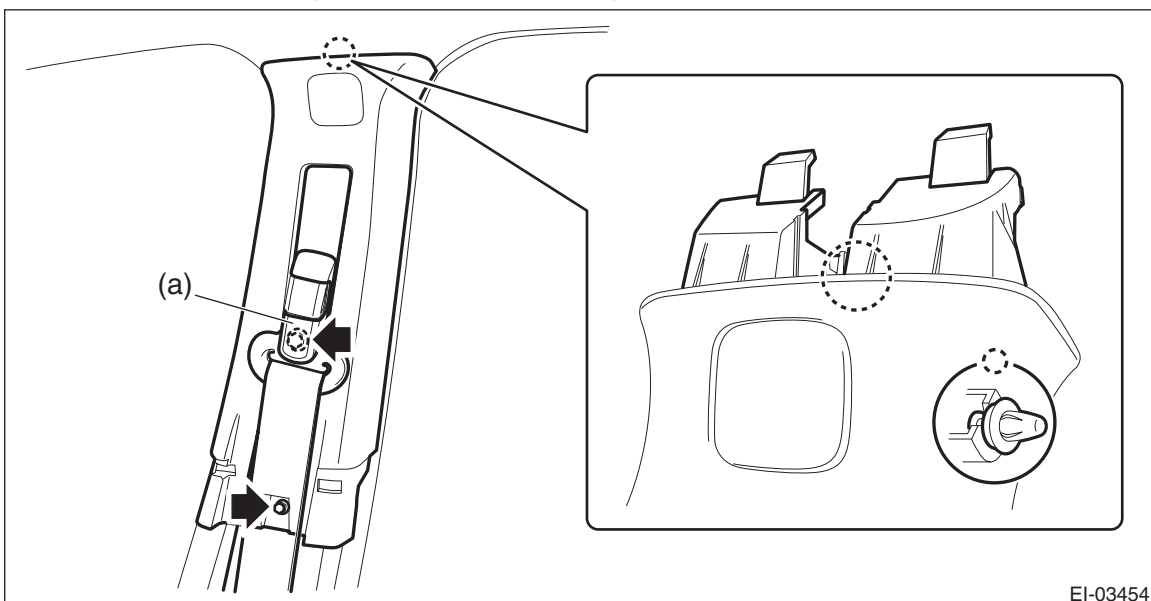
**NOTE:**

First release the claw located to the front of the vehicle.

- 7) Remove the trim panel - center pillar UPR on the left and right sides.
- (1) Remove the cover through (a), and remove the seat belt anchor bolt.
  - (2) Remove the bolt on the lower side of the trim panel - center pillar UPR.
  - (3) Remove the clip by pulling the upper part of the trim toward you, and while lowering the entire trim, remove the trim panel - center pillar UPR.

**CAUTION:**

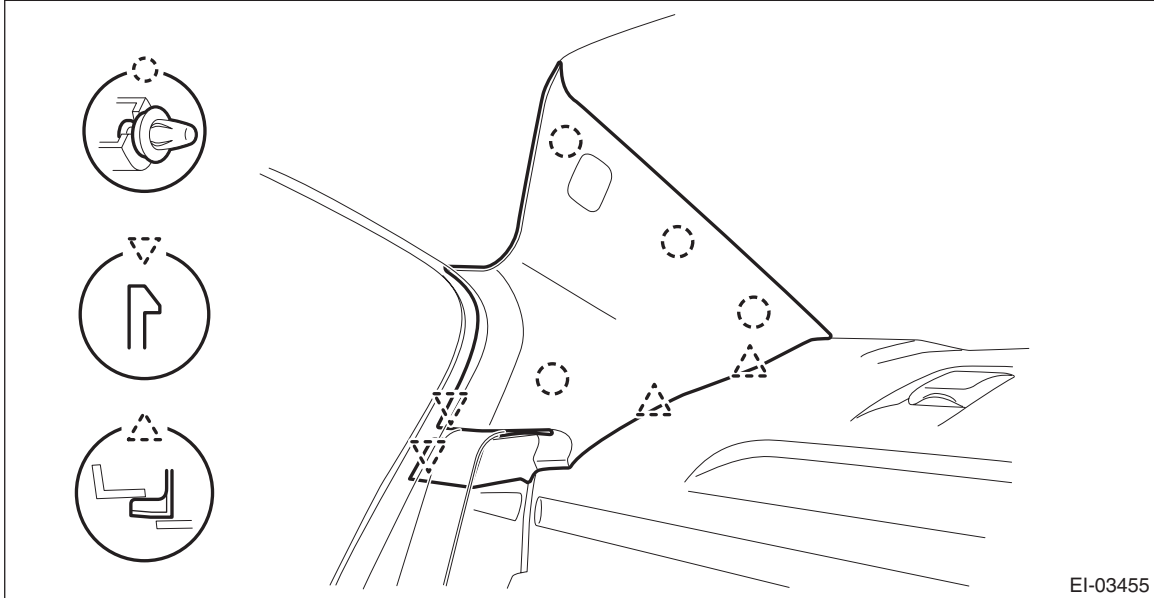
**Do not reuse the upper clips of the trim panel - center pillar UPR. Once the clip is removed, its holding force is reduced. Be sure to replace it with a new clip.**



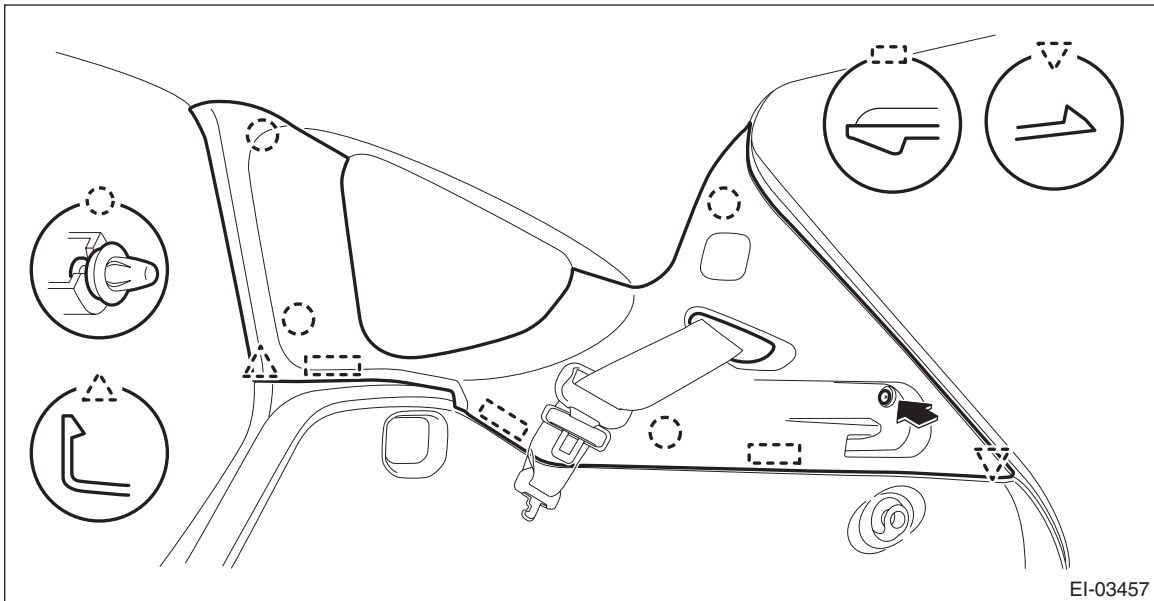
# Antenna

## ENTERTAINMENT

8) Remove the clips, and remove the trim panel - rear pillar UPR on the left and right sides. (4 door model)

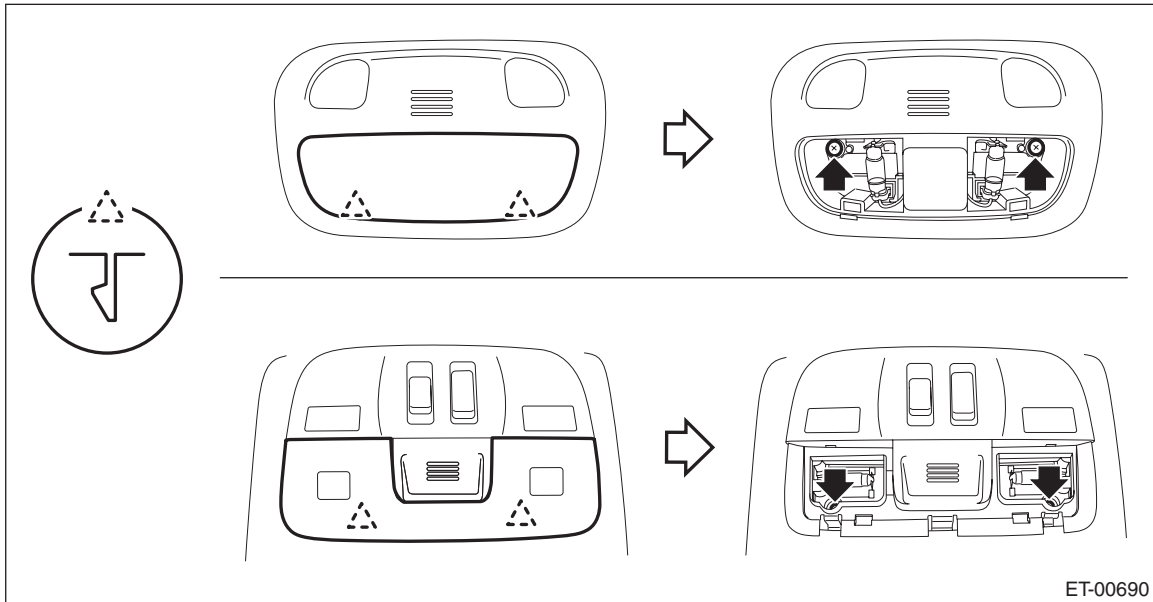


9) Remove the screws and clips, and remove the trim panel - rear quarter pillar UPR on the left and right sides. (5 door model/XV model)



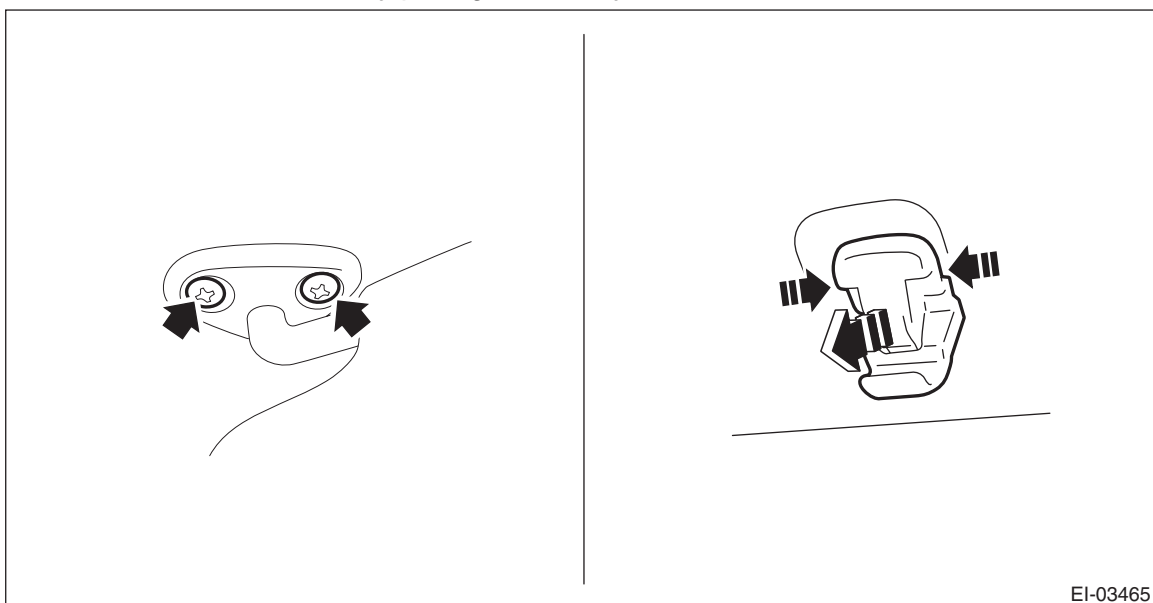
10) Remove the light assembly - map.  
(1) Remove the lens and detach the screws.

(2) Disconnect the connector and remove the light assembly - map.



11) Remove the left and right sun visor assembly.

- (1) Remove the screws and remove the sun visor assembly.
- (2) Press both sides of the hook - sun visor using a flat tip screwdriver.
- (3) Remove the hook - sun visor by pulling it toward you.



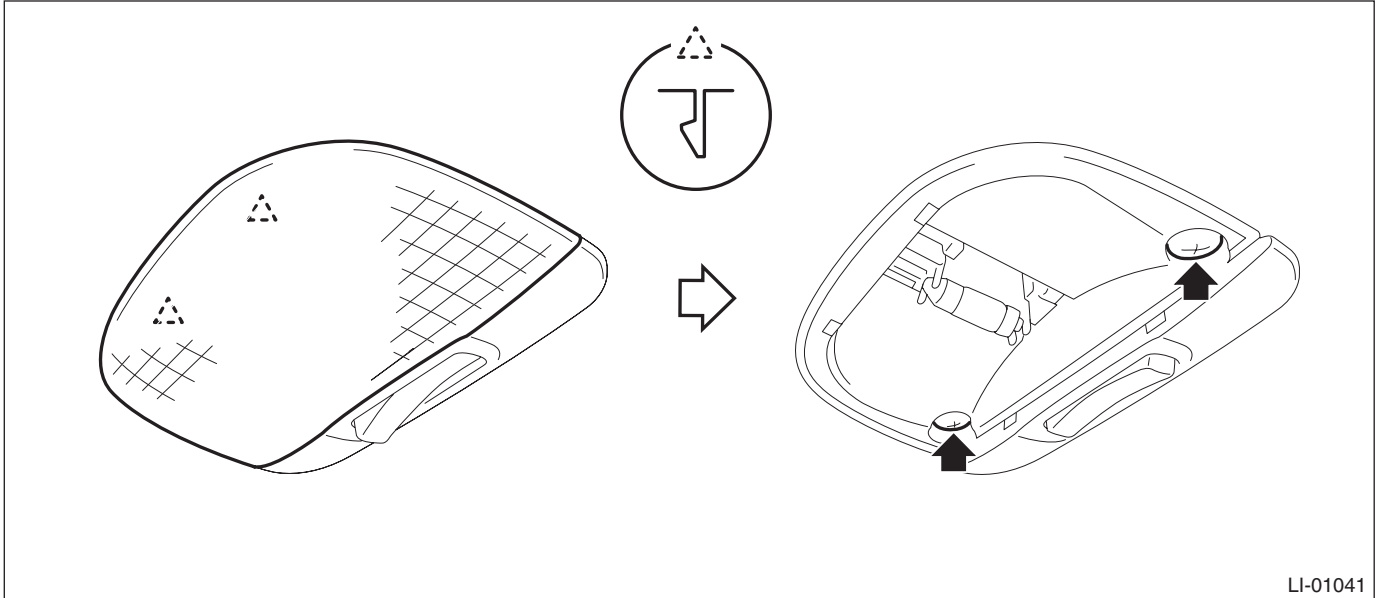
12) Remove the light assembly - room.

- (1) Remove the lens and detach the screws.

# Antenna

## ENTERTAINMENT

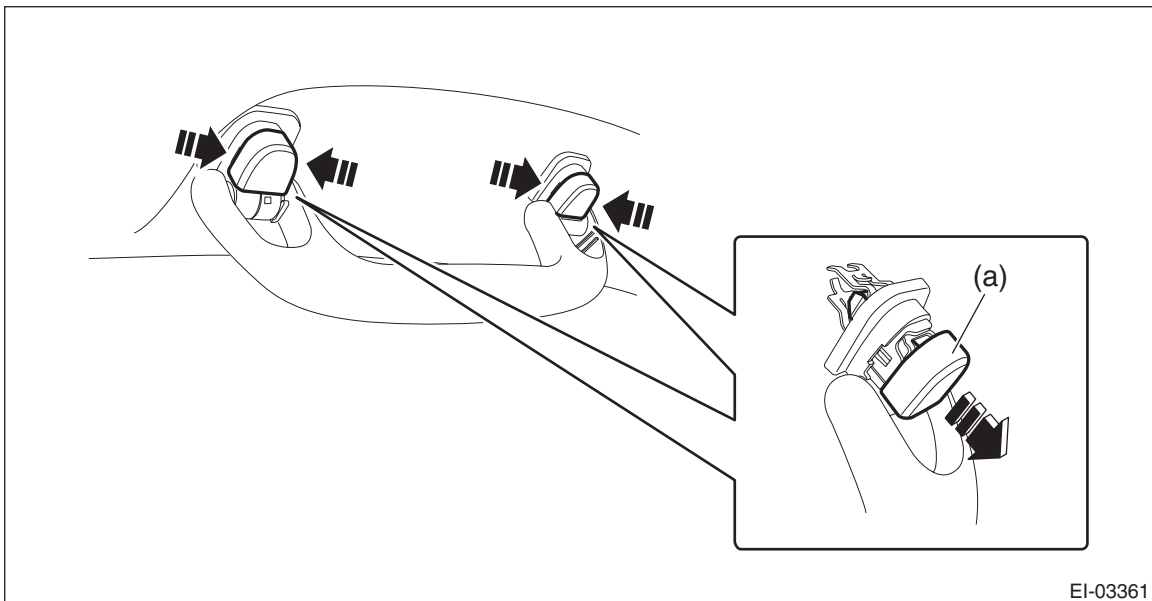
(2) Disconnect the connector and remove the light assembly - room.



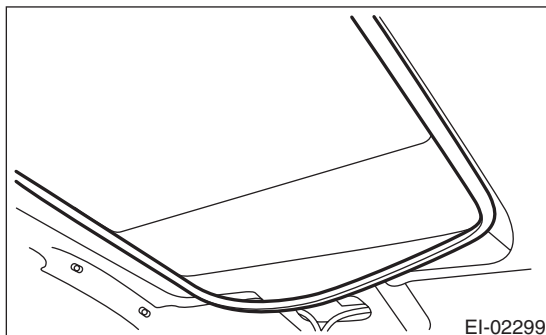
13) Remove all assist rails.

(1) Remove the cap (a) by pulling the both sides of the cap (a) using a flat tip screwdriver wrapped with a protection tape.

(2) Pull the assist grip toward you (to the vehicle center) and remove the metal clip from the bracket.

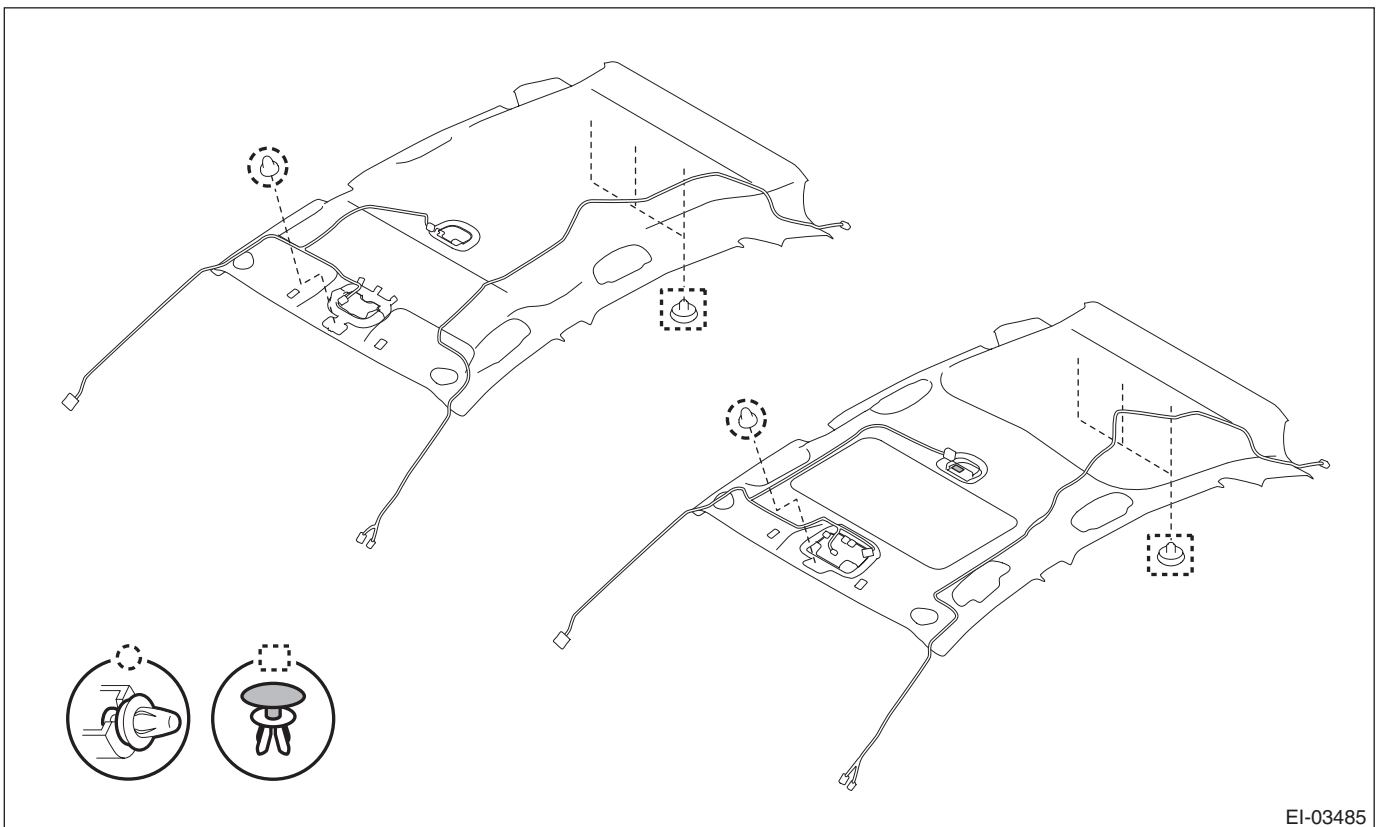
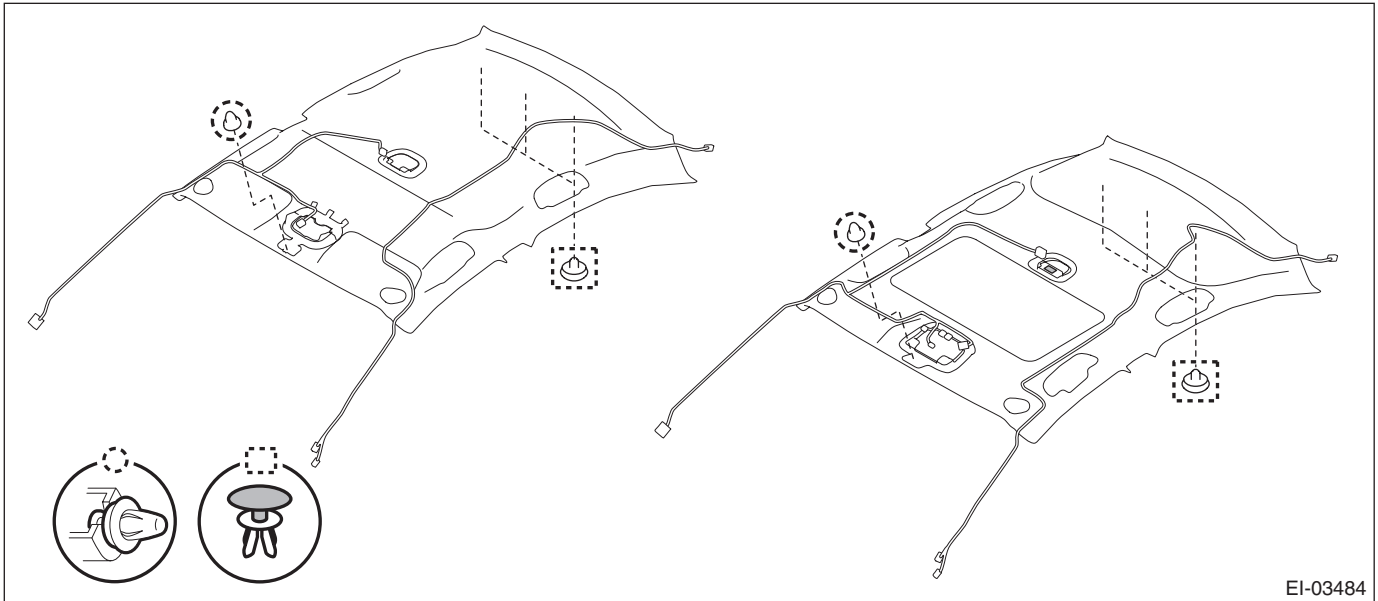


14) Remove the garnish - roof. (Model with sunroof)



15) Remove the trim panel - roof assembly.

- (1) Remove the clips and the Velcro tape behind the room light.
- (2) Remove the weather strip - body side flange from the front/rear and left/right doors, and lower the trim panel - roof assembly.



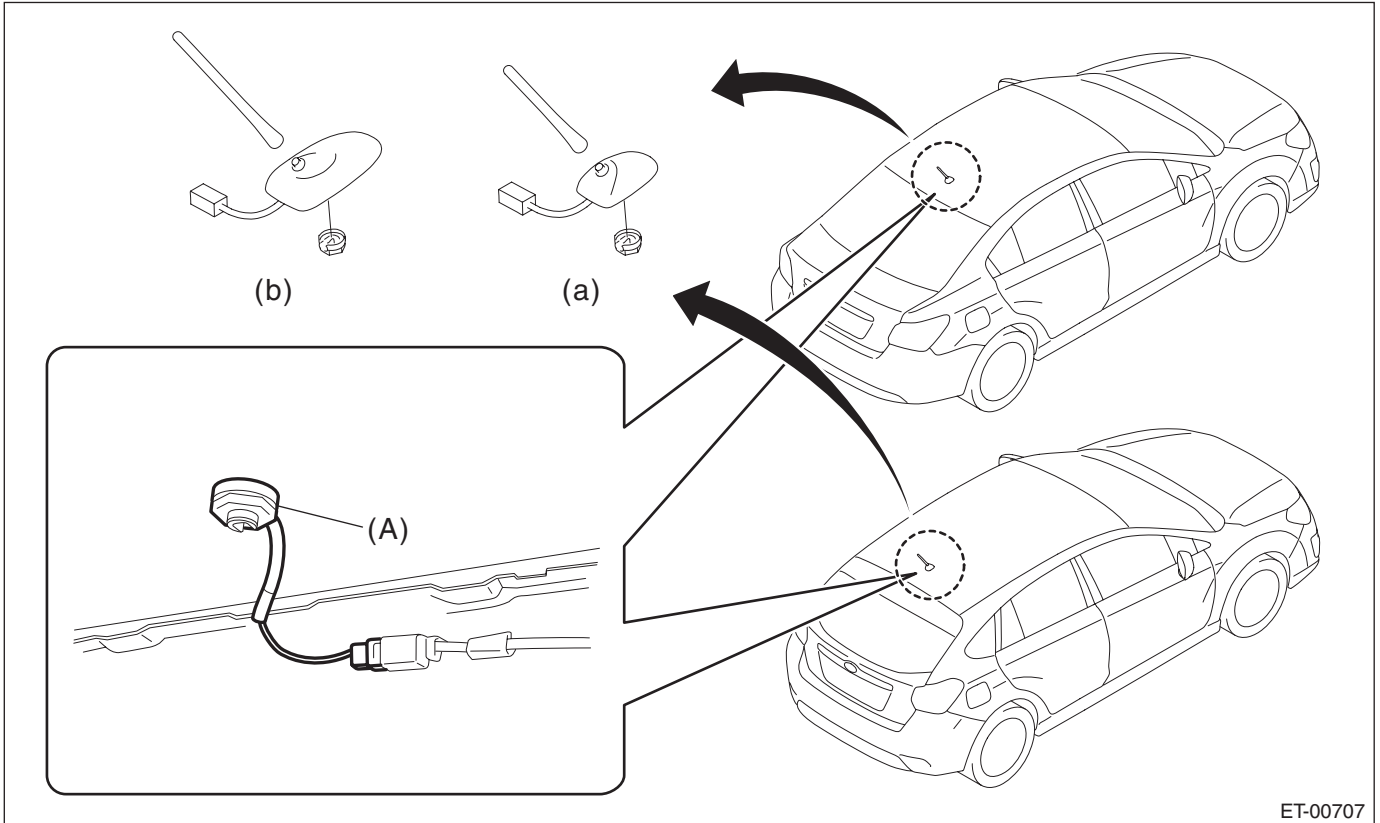
- 16) Disconnect the harness connector and terminal, and remove the mounting nut (A).



# Antenna

## ENTERTAINMENT

17) Pull out the antenna from the roof top.



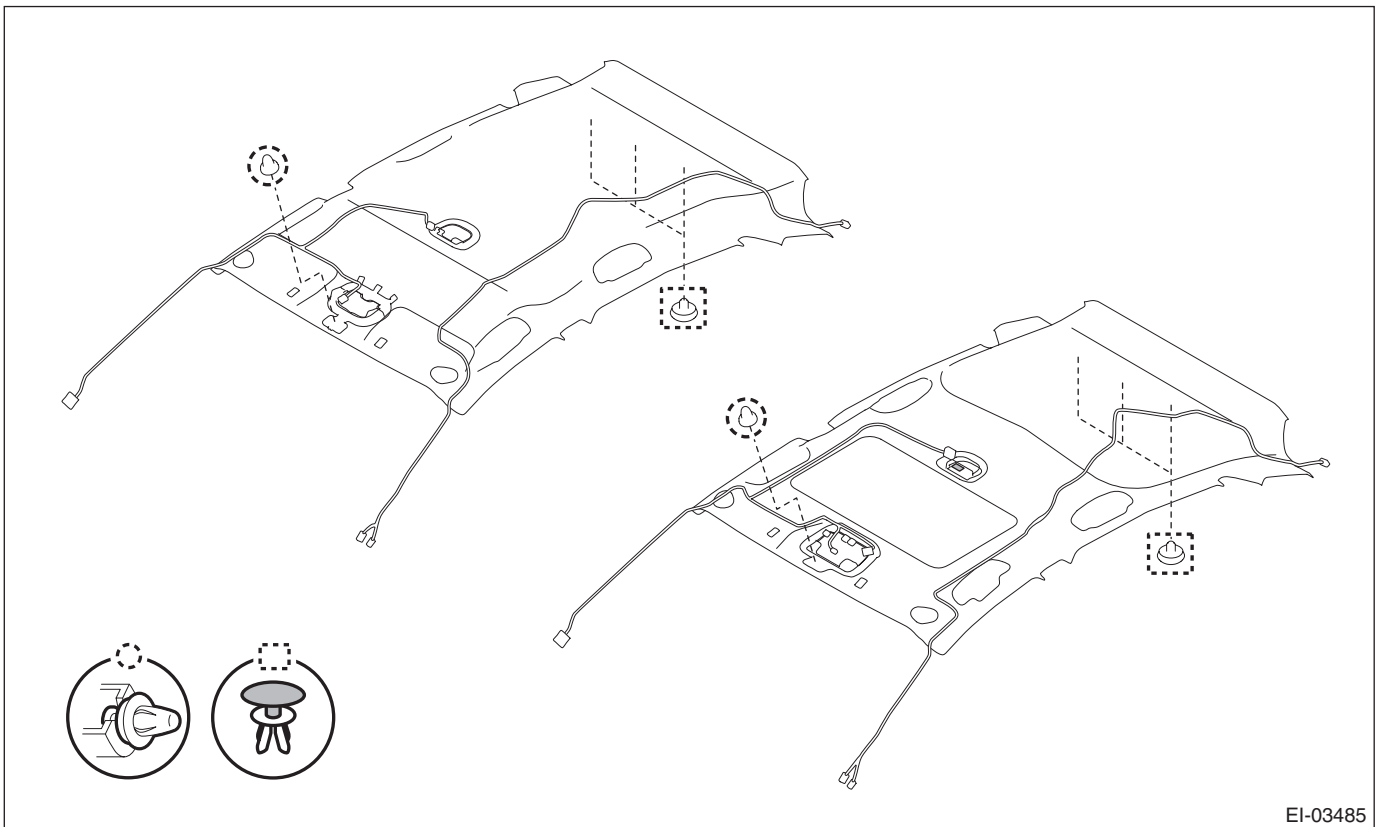
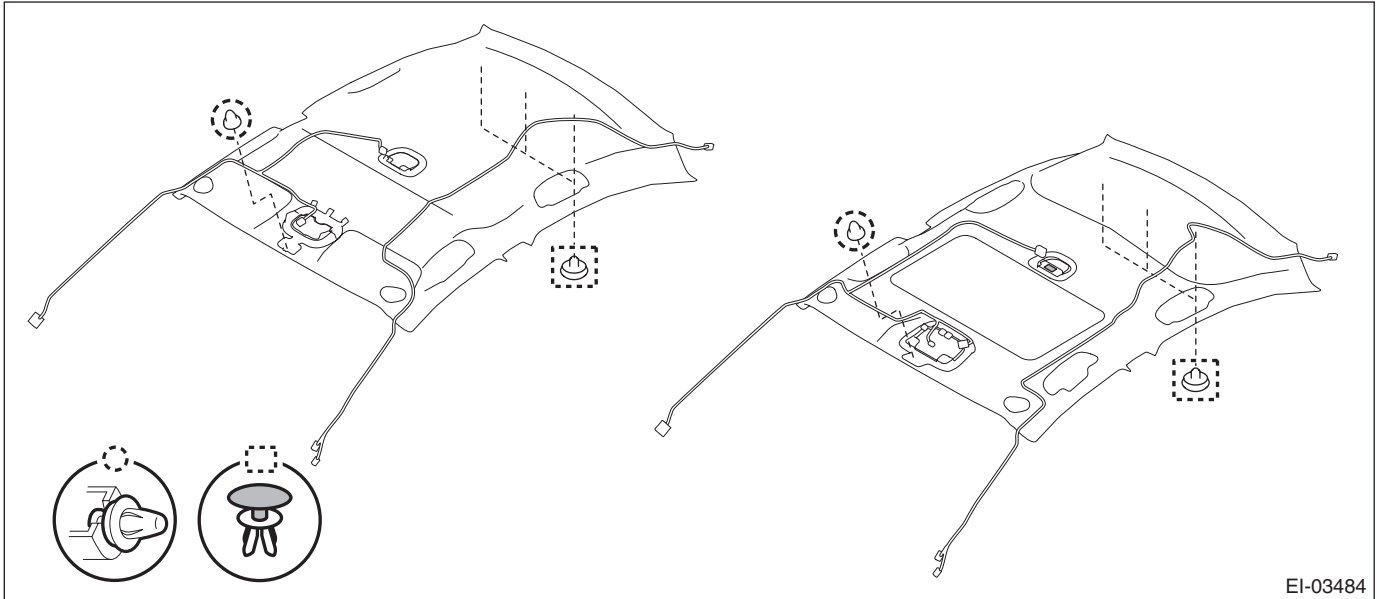
ET-00707

(a) Radio antenna

(b) XM radio antenna

## 2. ANTENNA FEEDER CORD

- 1) Disconnect the ground cable from battery and wait for at least 60 seconds before starting work.
- 2) Lower the trim panel - roof assembly in the same manner as the removal procedure of antenna. <Ref. to ET-14, ANTENNA, REMOVAL, Antenna.>
  - (1) Disconnect the connector of the cord assembly - antenna feeder.
  - (2) Remove the clips and the Velcro tape behind the room light.
  - (3) Detach the connector of the cord assembly - antenna feeder from the trim panel - roof assembly.



# Antenna

ENTERTAINMENT

## B: INSTALLATION

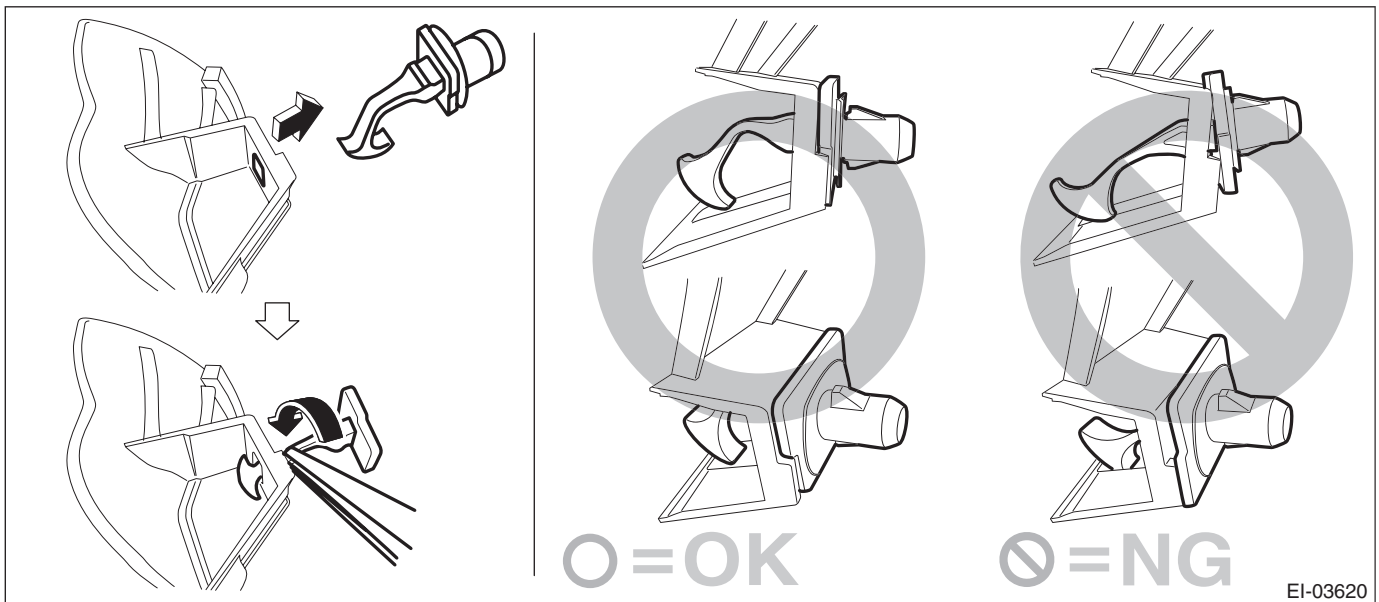
Install each part in the reverse order of removal.

### CAUTION:

- When reusing the tether clip on the upper part of the trim panel - front pillar UPR, check that there is no damage to the tether clip. If the clip is damaged, its holding force is reduced and the trim panel - front pillar UPR may come off. Be sure to replace it with a new clip.
- Do not reuse the tether clip removed from the upper part of the trim panel - front pillar UPR. Always replace with a new part.
- Do not reuse the upper clips of the trim panel - center pillar UPR. Once the clip is removed, its holding force is reduced. Be sure to replace it with a new clip.
- Before installing the trim panel - front pillar UPR, check the condition of protective non-woven fabric (white) of the curtain airbag. If it is damaged (airbag module cloth is exposed), replace the curtain airbag module assembly with a new part.

### NOTE:

- For application of feeder cord, refer to installation procedure of the trim panel - roof assembly. <Ref. to EI-143, INSTALLATION, Roof Trim.>
- Check the installation status of the tether clips and install the trim panel - front pillar UPR.



EI-03620

### Tightening torque:

**Radio antenna: 4.5 N·m (0.46 kgf-m, 3.3 ft-lb)**