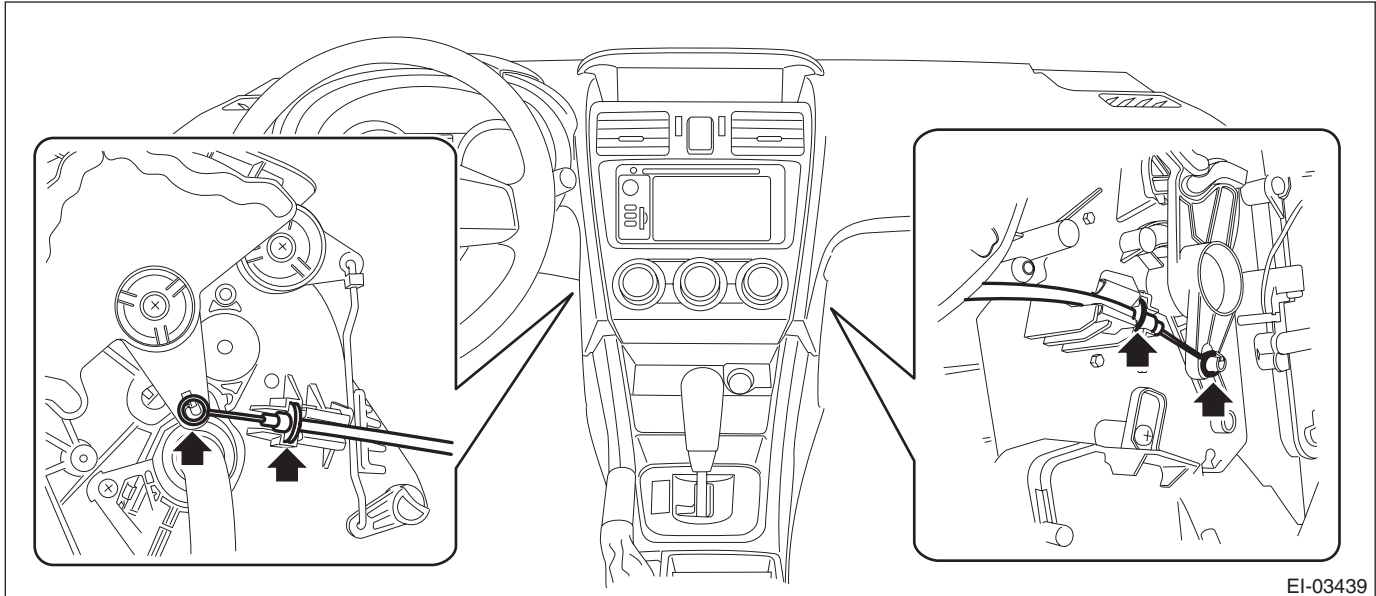


9. Navigation Body

A: REMOVAL

- 1) Disconnect the ground cable from battery.
- 2) On manual A/C models, disconnect the control cables from both sides of the heater and cooling unit assembly.



EI-03439

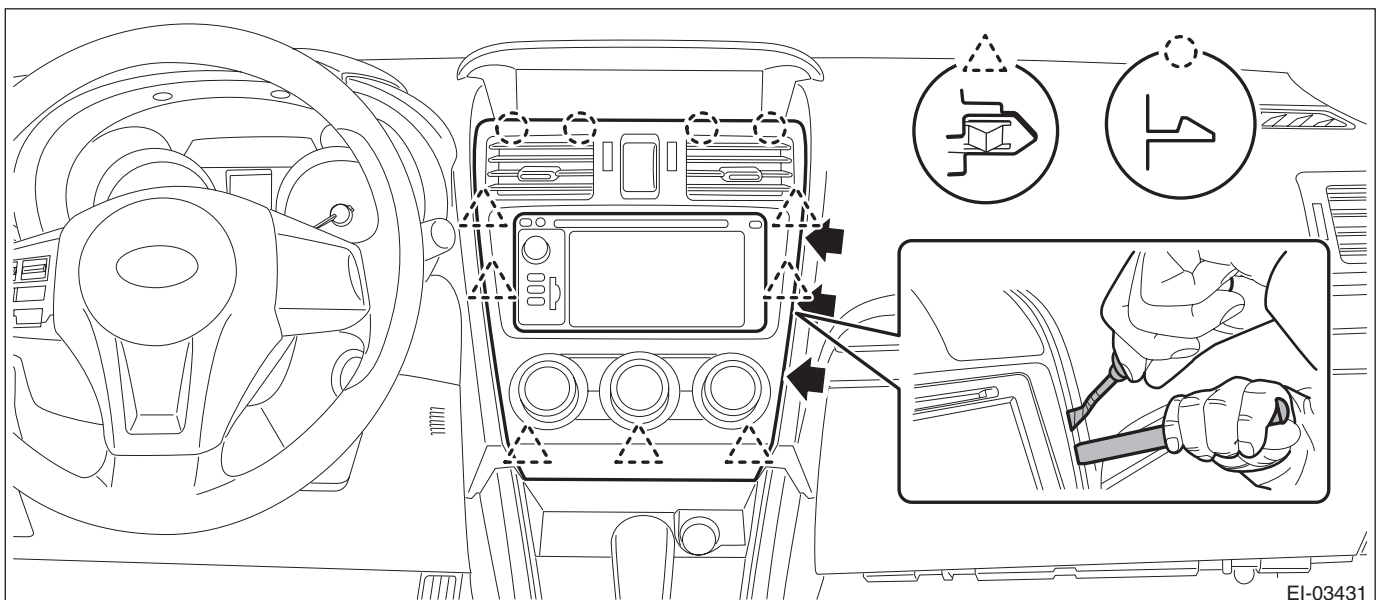
NOTE:

Remove the glove box pocket assembly on the passenger's side.

- 3) Remove the panel center assembly.

CAUTION:

- Do not put your finger on the fin of the air vent grille. Doing so may damage the fin.
 - Pull the panel center assembly slowly. Pulling with excessive force may damage the connector.
- (1) Insert a plastic remover to the three areas shown by the arrows, and lift up the panel center assembly slightly.
 - (2) With the panel center assembly lifted up slightly, release the claw by using a clip remover wrapped with protective tape.
 - (3) Release the rest of the claws, and pull out the panel center assembly.
 - (4) Disconnect the connectors, and remove the panel center assembly.

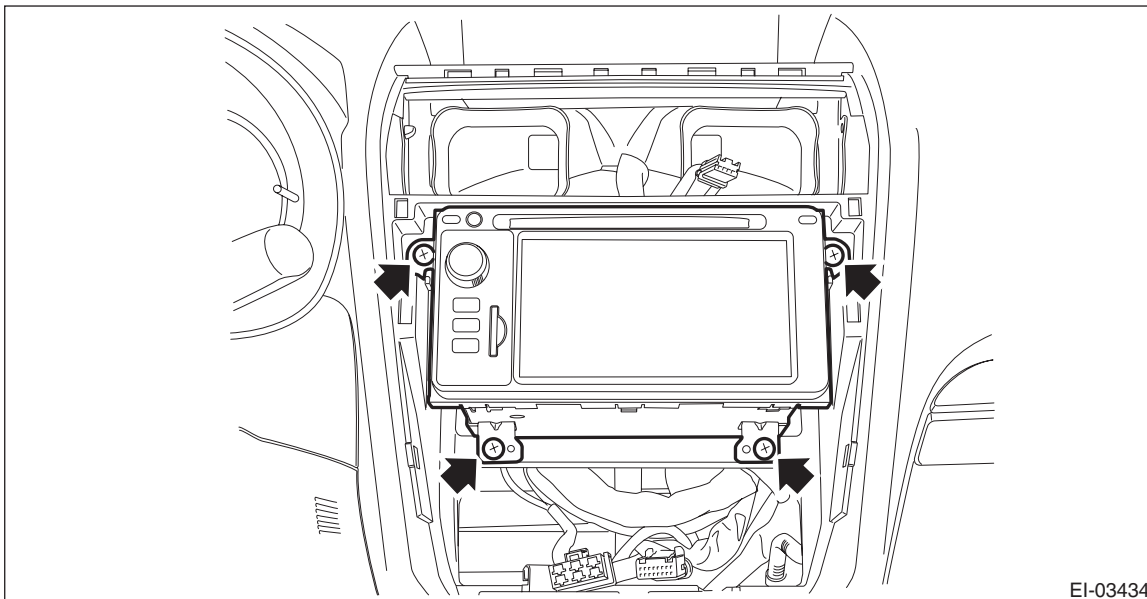


EI-03431

Navigation Body

ENTERTAINMENT

- 4) Remove the navigation assembly.
 - (1) Remove the left and right screws, and partially pull out the navigation assembly.
 - (2) Disconnect the connector and remove the navigation assembly.



B: INSTALLATION

CAUTION:

After installing the panel center assembly, check that the air vent grille of the panel center assembly is inserted correctly into the air vent duct.

Install each part in the reverse order of removal.