

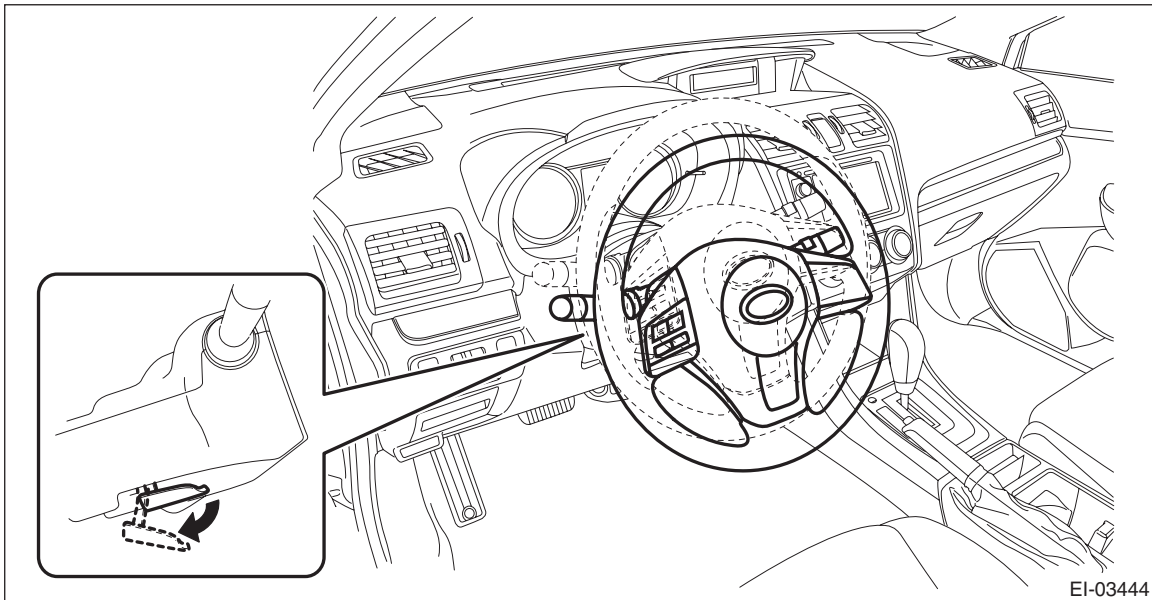
10. GPS Antenna

A: REMOVAL

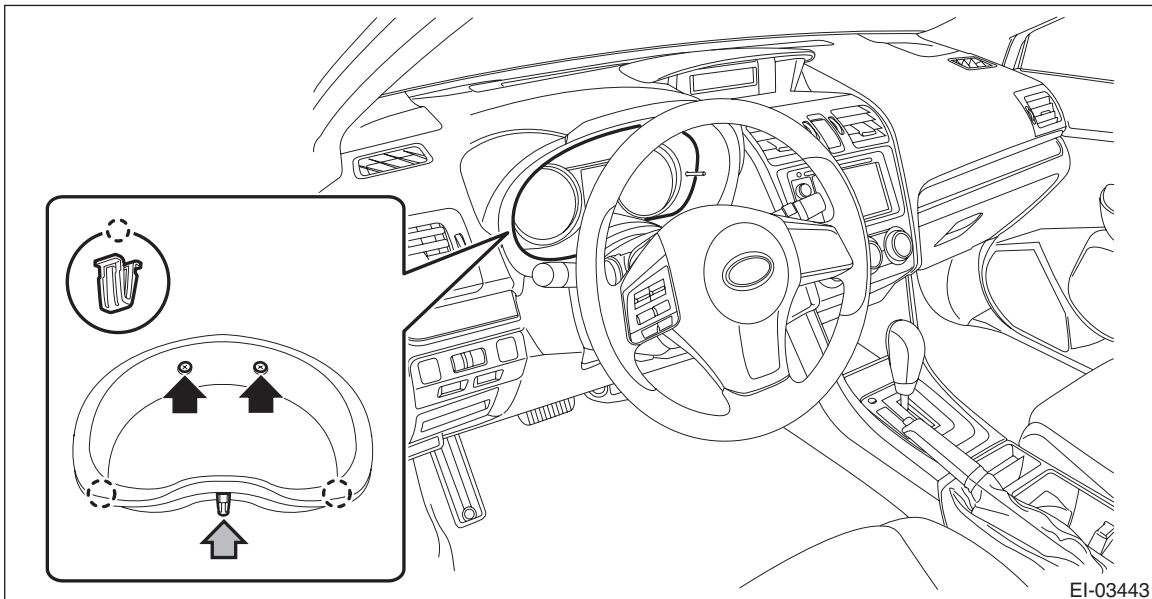
- 1) Disconnect the ground cable from battery.
- 2) Remove the combination meter assembly.

CAUTION:

- Be careful not to damage the meter or instrument panel.
 - Pay particular attention to avoid damaging the meter glass.
- (1) Release the lock, tilt the steering column to the lowest end and fully extend the column by the telescopic system.



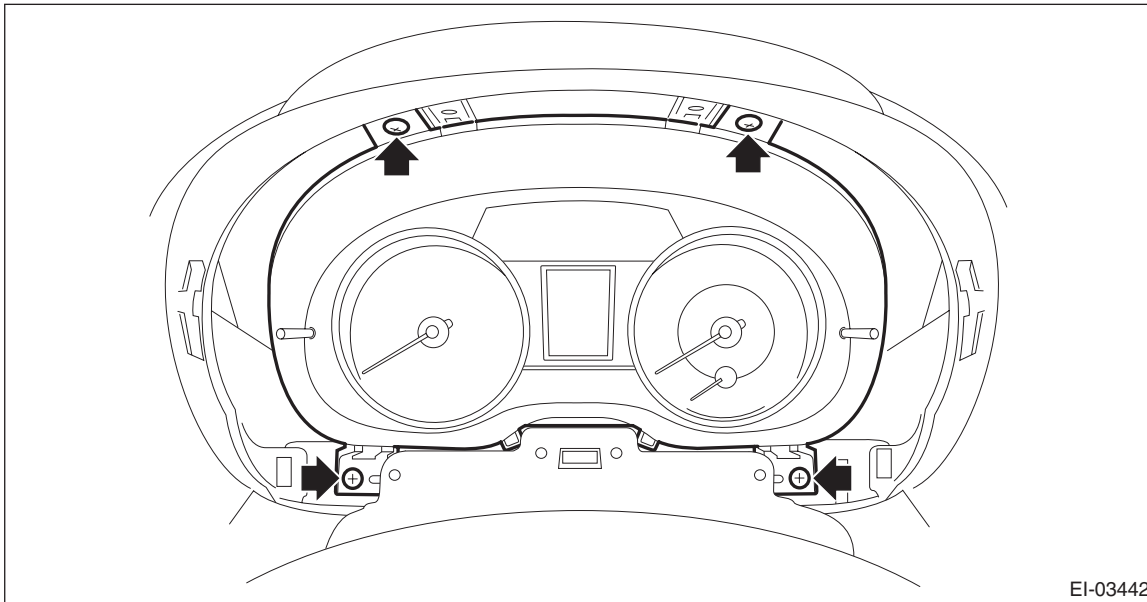
- (2) Release the screws and clips, then detach the meter visor assembly.



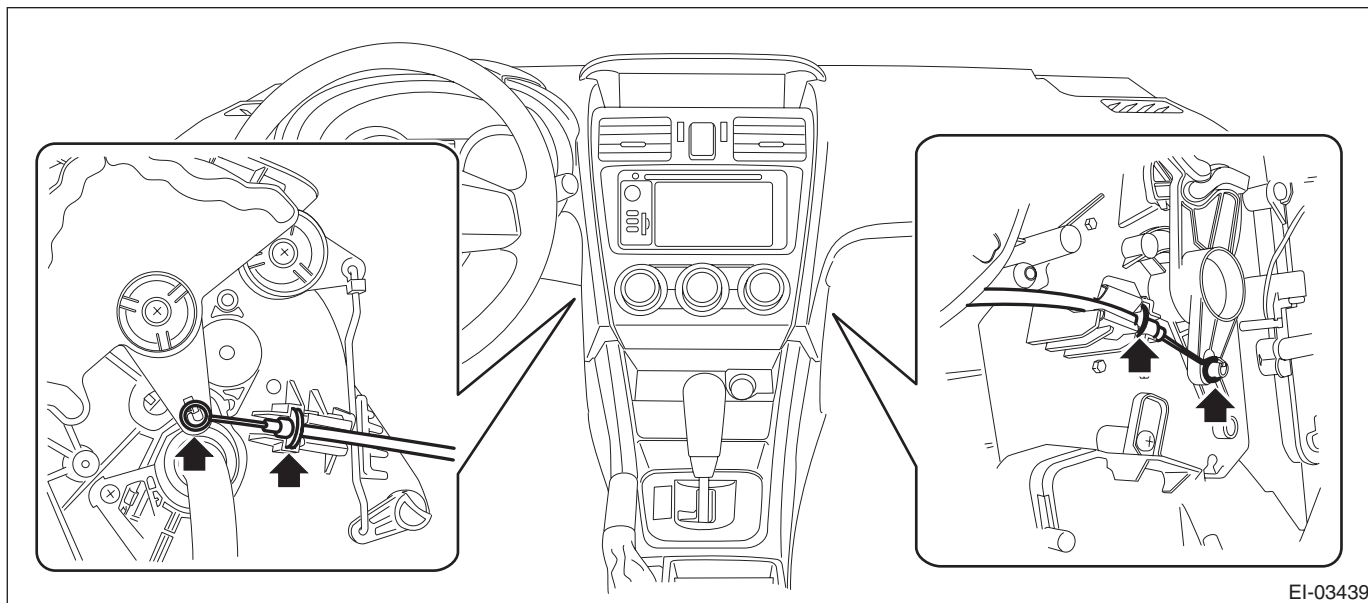
GPS Antenna

ENTERTAINMENT

(3) Remove the screws, disconnect the connector and remove the combination meter assembly.



3) On manual A/C models, disconnect the control cables from both sides of the heater and cooling unit assembly.



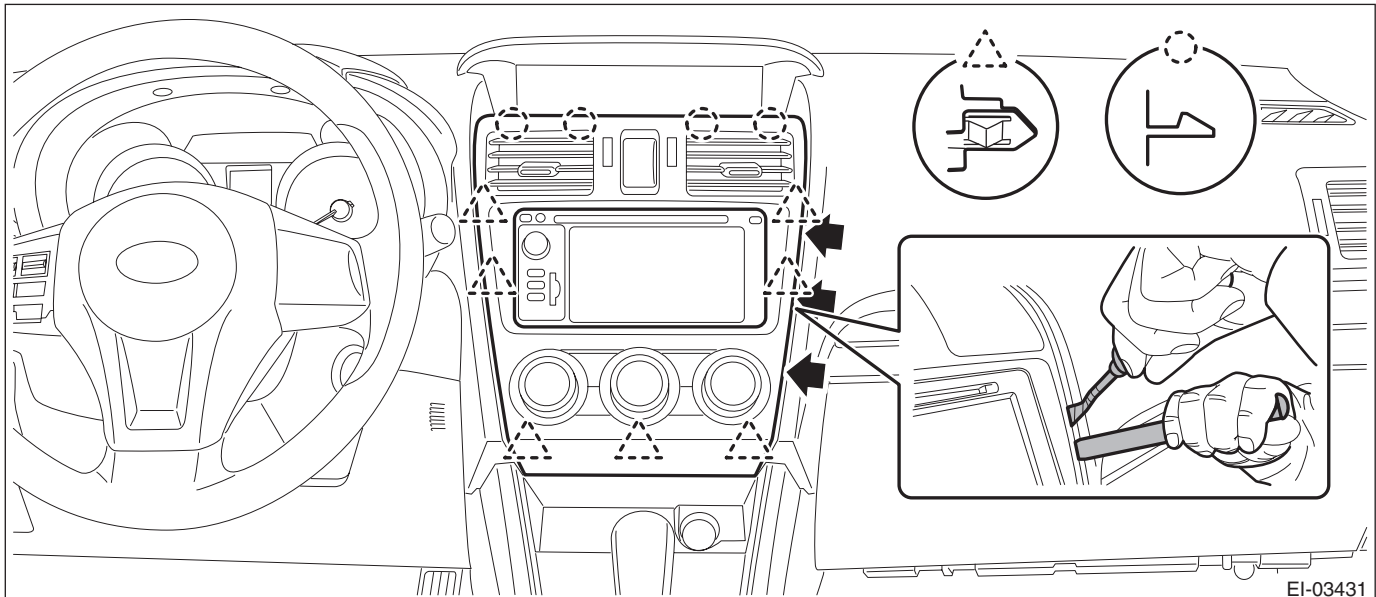
NOTE:

Remove the glove box pocket assembly on the passenger's side.

4) Remove the panel center assembly.

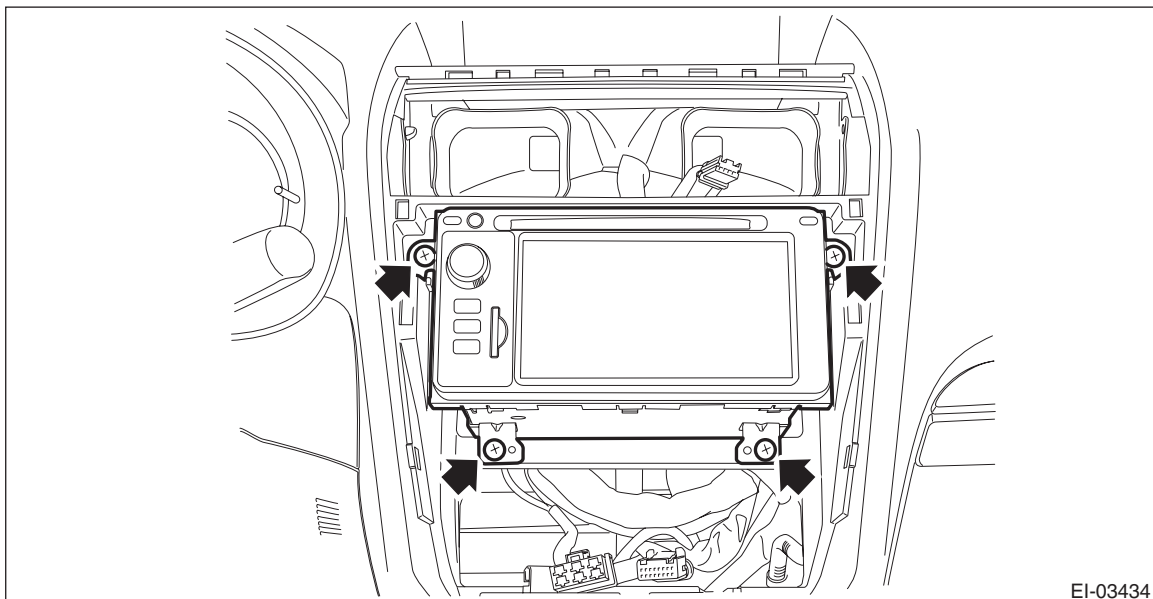
CAUTION:

- Do not put your finger on the fin of the air vent grille. Doing so may damage the fin.
- Pull the panel center assembly slowly. Pulling with excessive force may damage the connector.
 - (1) Insert a plastic remover to the three areas shown by the arrows, and lift up the panel center assembly slightly.
 - (2) With the panel center assembly lifted up slightly, release the claw by using a clip remover wrapped with protective tape.
 - (3) Release the rest of the claws, and pull out the panel center assembly.
 - (4) Disconnect the connectors, and remove the panel center assembly.



5) Remove the navigation assembly.

- (1) Remove the left and right screws, and partially pull out the navigation assembly.
- (2) Disconnect the connector and remove the navigation assembly.



GPS Antenna

ENTERTAINMENT

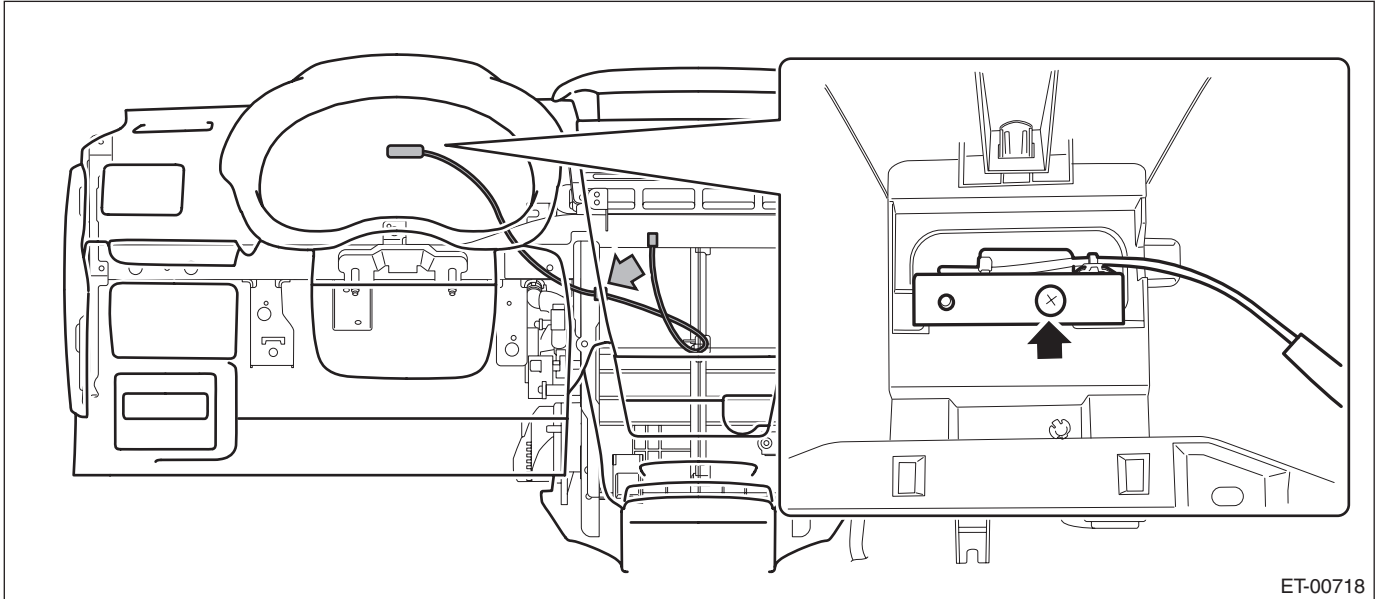
6) Remove the GPS antenna assembly.

(1) Tie a string to the GPS antenna assembly harness connector on the navigation unit side.

NOTE:

A string makes operation easier during installation.

(2) Remove the screw and harness clamp, and pull out the GPS antenna assembly harness from the combination meter side.



(3) When the GPS antenna assembly is pulled out, remove the string attached to the connector in step (1).

B: INSTALLATION

CAUTION:

After installing the panel center assembly, check that the air vent grille of the panel center assembly is inserted correctly into the air vent duct.

Install each part in the reverse order of removal.