

14.AUX Input Terminal

A: REMOVAL

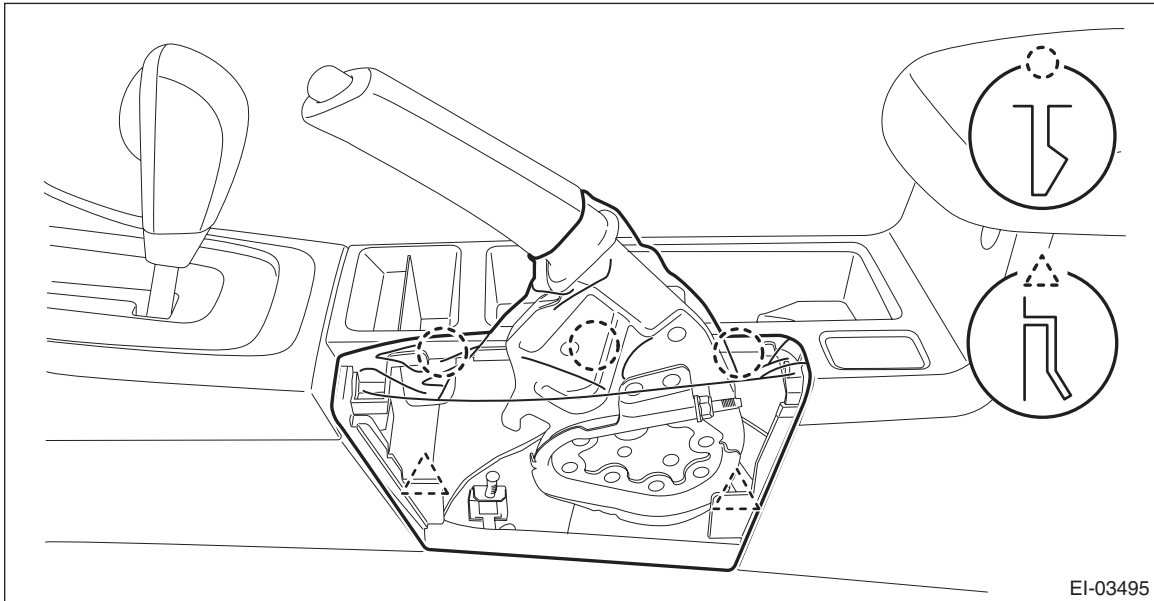
1) Disconnect the ground cable from battery.

NOTE:

On CVT models, shift the select lever into "D" before disconnecting the battery ground cable.

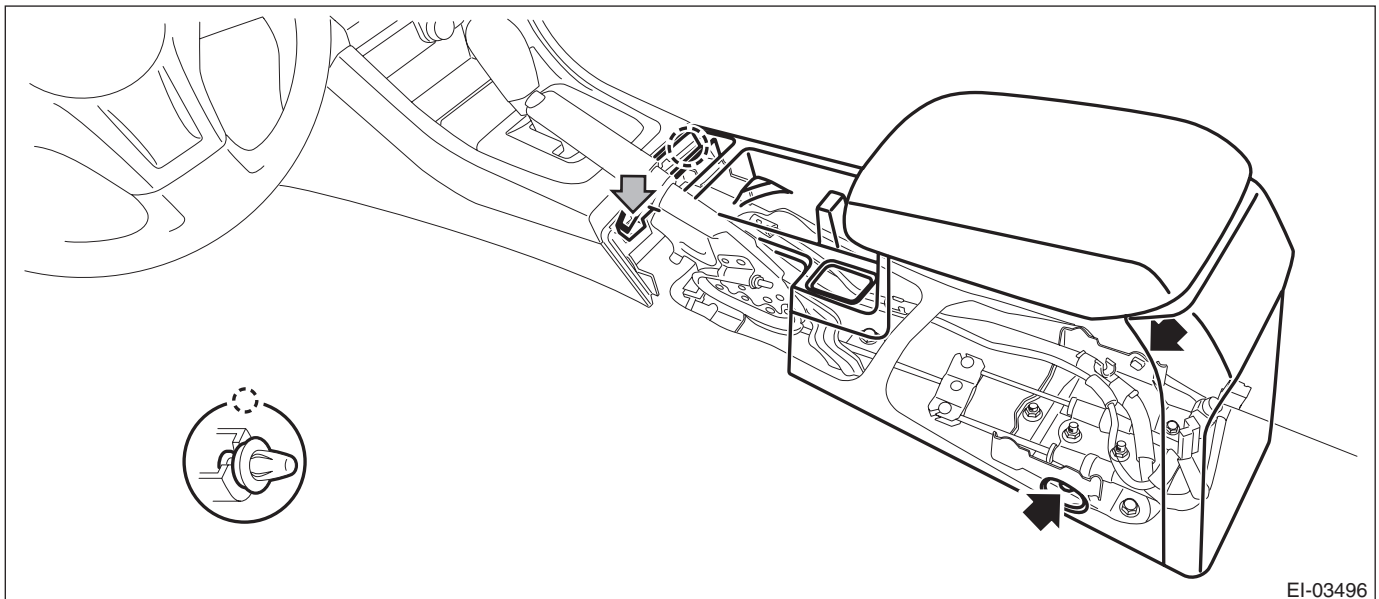
2) Remove the console box assembly.

(1) Release the claws, and then remove the boot - hand brake.



(2) Move the seat forward, and remove the bolts after detaching the left and right caps.

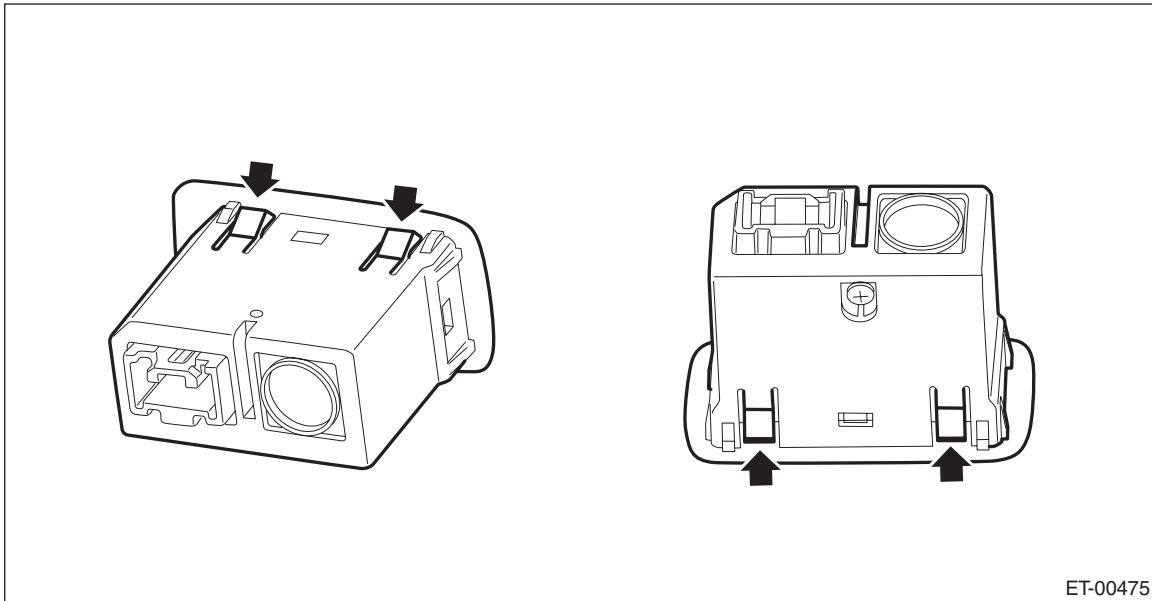
(3) Remove the screws and clips, disconnect the harness connector and remove the console box assembly.



3) Remove the AUX input terminal.

(1) Remove the claws at four locations.

(2) Remove the AUX input terminal assembly by pushing it into the console box.

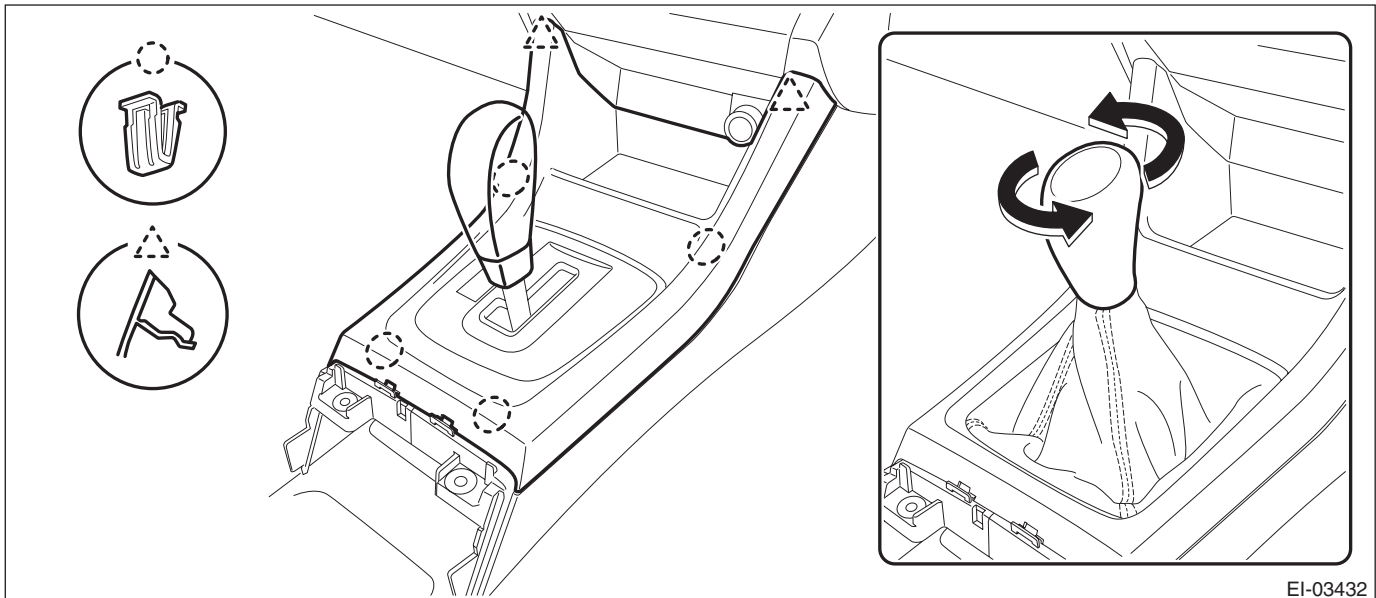


ET-00475

4) Remove the cover - shift lever.

(1) Remove the shift knob. (MT model)

(2) Release the clips and claws, then pull up the cover - shift lever.

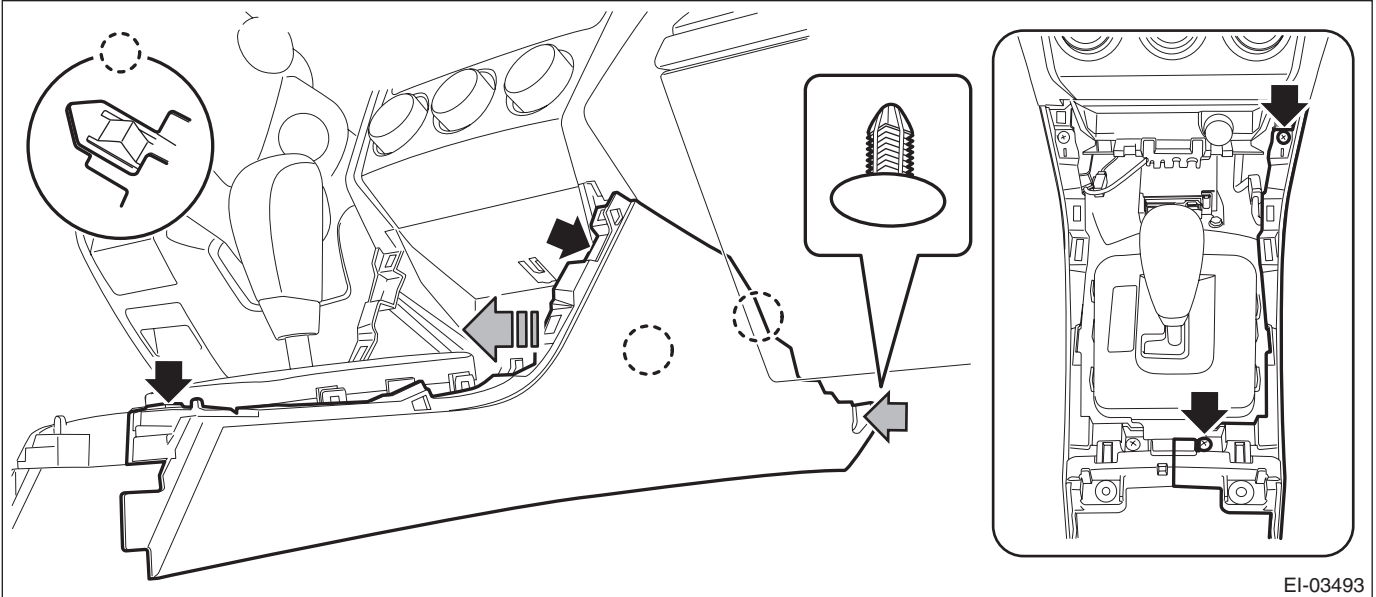


EI-03432

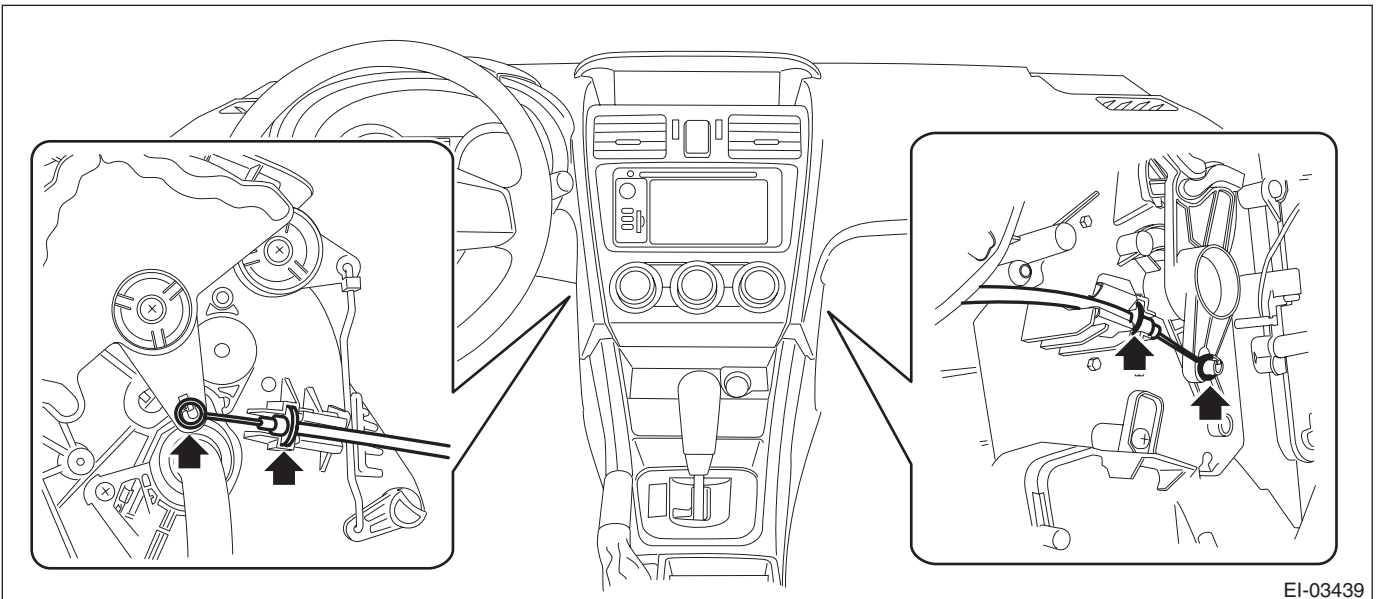
AUX Input Terminal

ENTERTAINMENT

- 5) Remove the panel center LWR RH.
 - (1) Remove the screws and clips.
 - (2) Release the claws, and pull the panel center LWR RH to remove.



- 6) On manual A/C models, disconnect the control cables from both sides of the heater and cooling unit assembly.

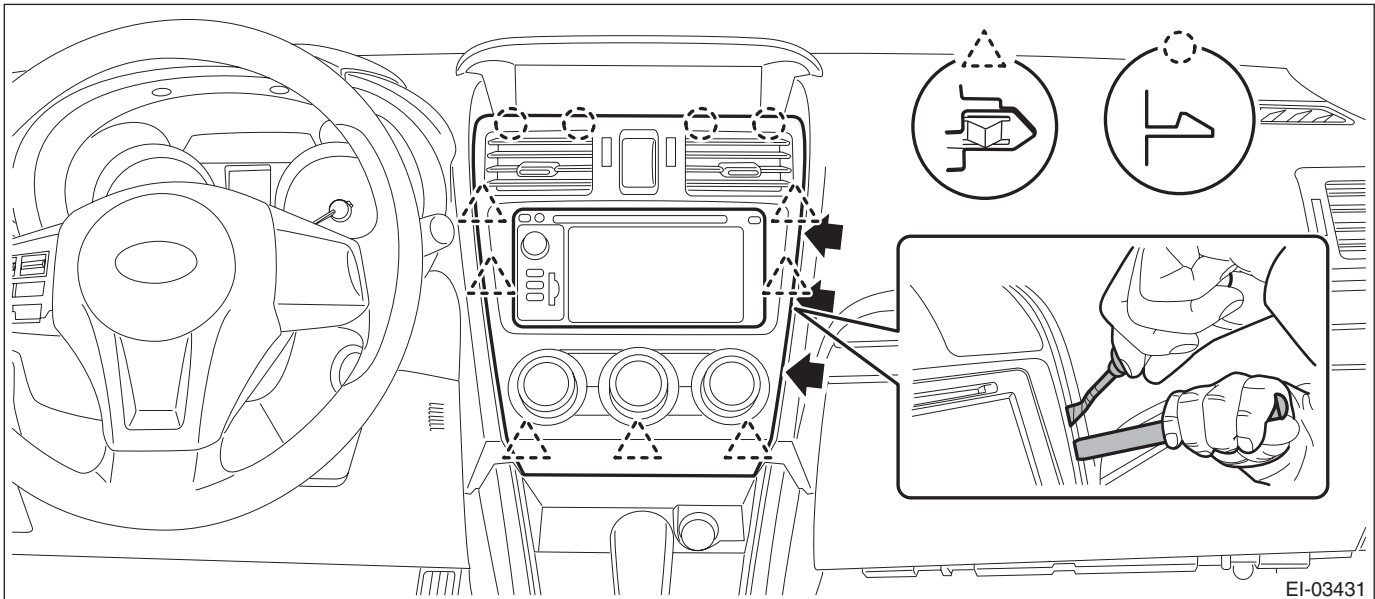


NOTE:
Remove the glove box pocket assembly on the passenger's side.

7) Remove the panel center assembly.

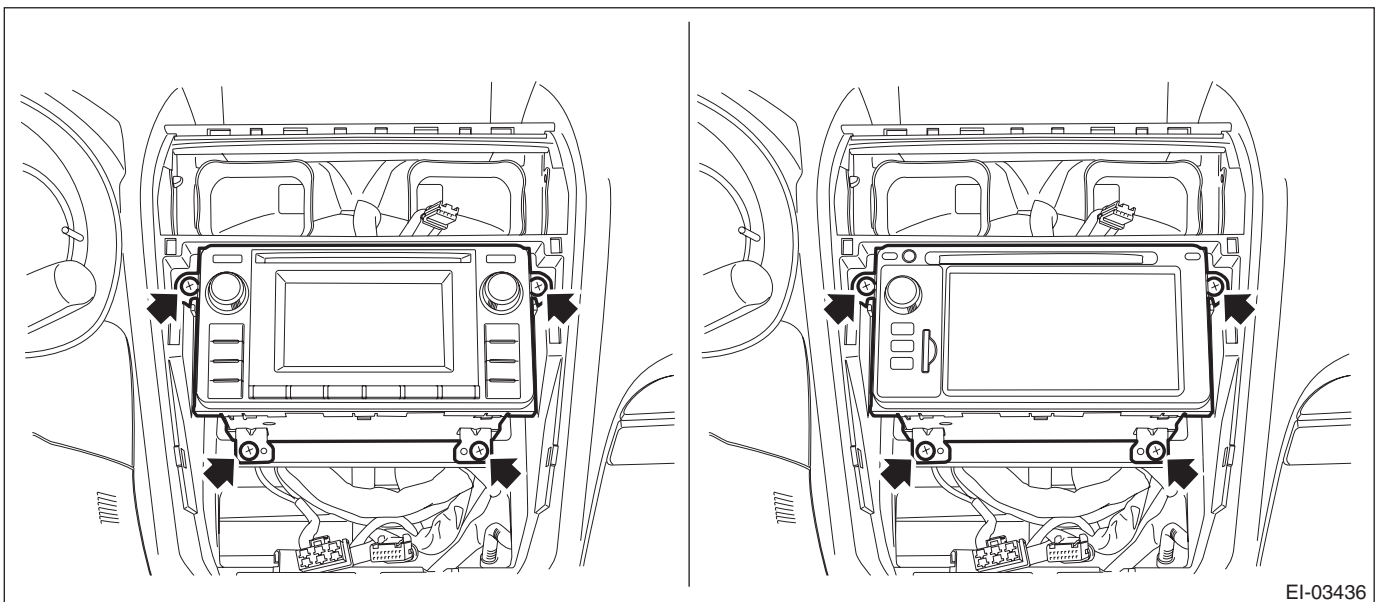
CAUTION:

- Do not put your finger on the fin of the air vent grille. Doing so may damage the fin.
- Pull the panel center assembly slowly. Pulling with excessive force may damage the connector.
 - (1) Insert a plastic remover to the three areas shown by the arrows, and lift up the panel center assembly slightly.
 - (2) With the panel center assembly lifted up slightly, release the claw by using a clip remover wrapped with protective tape.
 - (3) Release the rest of the claws, and pull out the panel center assembly.
 - (4) Disconnect the connectors, and remove the panel center assembly.



8) Remove the audio assembly or navigation assembly.

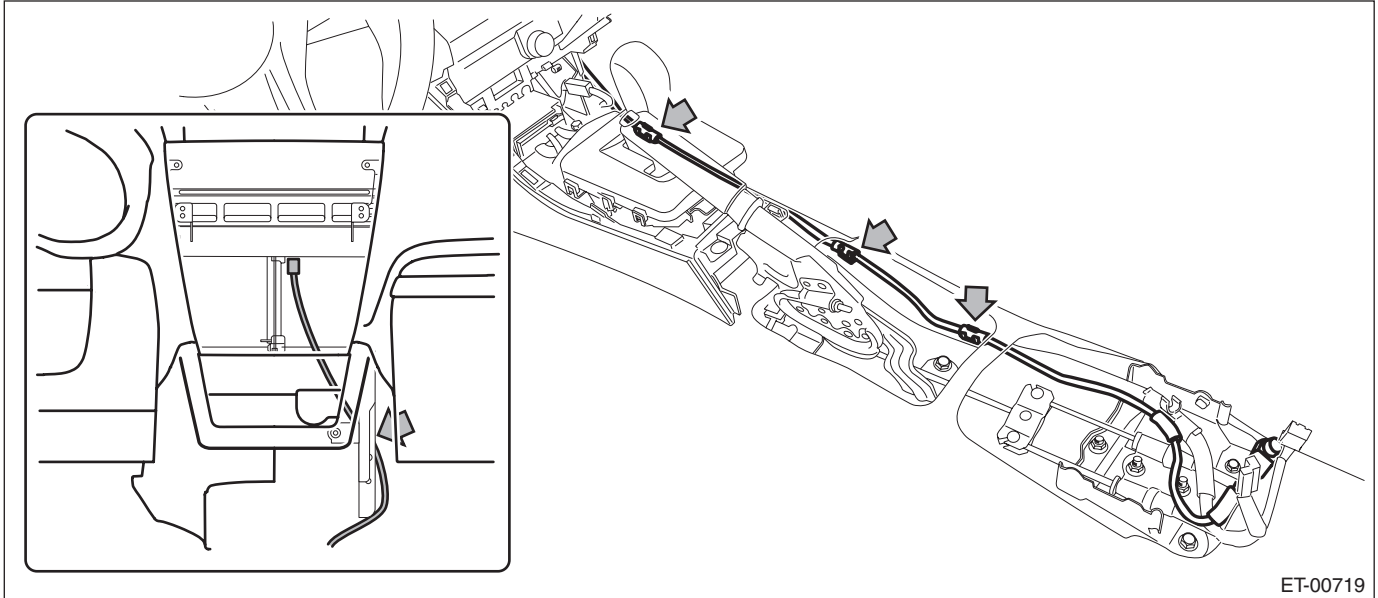
- (1) Remove the screws, and partially pull out the audio assembly or navigation assembly.
- (2) Disconnect the connectors, and remove the audio assembly or navigation assembly.



AUX Input Terminal

ENTERTAINMENT

9) Remove the harness clamp and remove the AUX terminal harness.



B: INSTALLATION

CAUTION:

After installing the panel center assembly, check that the air vent grille of the panel center assembly is inserted correctly into the air vent duct.

Install each part in the reverse order of removal.

Tightening torque:

Console box assembly: 6.5 N·m (0.66 kgf-m, 4.8 ft-lb)

COMMUNICATION SYSTEM

COM

	Page
1. General Description	2
2. Relay and Fuse	3
3. Horn System	4
4. Horn	5
5. Horn Switch	8