

Fuel Tank

FUEL INJECTION (FUEL SYSTEMS)

25. Fuel Tank

A: REMOVAL

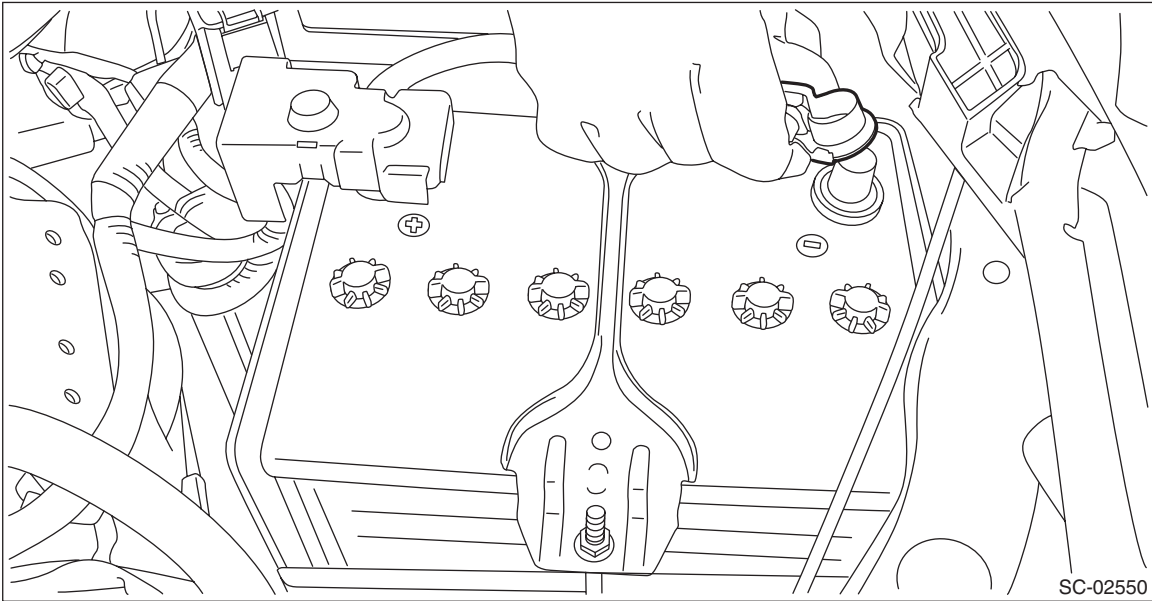
WARNING:

Place "NO OPEN FLAMES" signs near the working area.

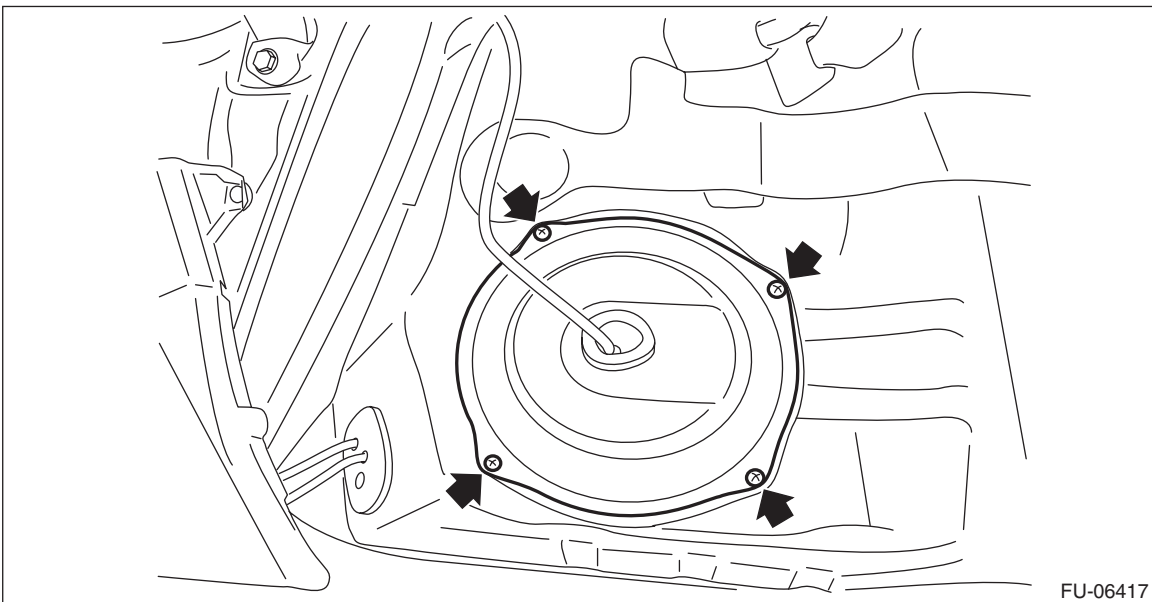
CAUTION:

Be careful not to spill fuel.

- 1) Release the fuel pressure. <Ref. to FU(H4DO)-112, RELEASING OF FUEL PRESSURE, PROCEDURE, Fuel.>
- 2) Drain fuel. <Ref. to FU(H4DO)-113, DRAINING FUEL (WITH SUBARU SELECT MONITOR), PROCEDURE, Fuel.>
- 3) Disconnect the ground cable from battery.



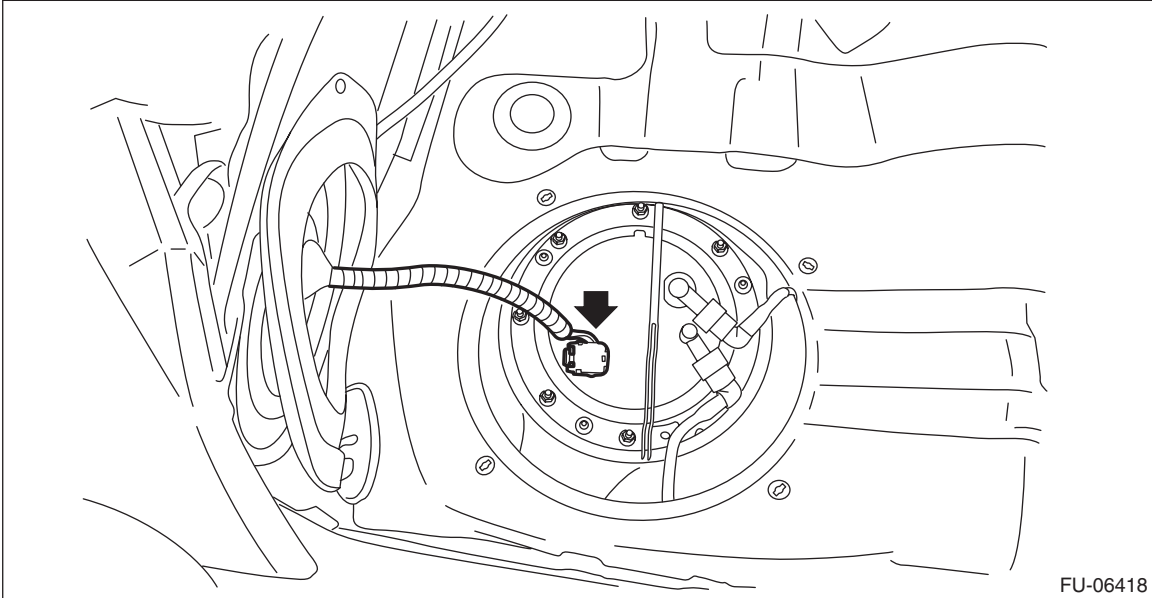
- 4) Remove the rear seat cushion. <Ref. to SE-22, REMOVAL, Rear Seat.>
- 5) Remove the service hole cover of fuel pump.



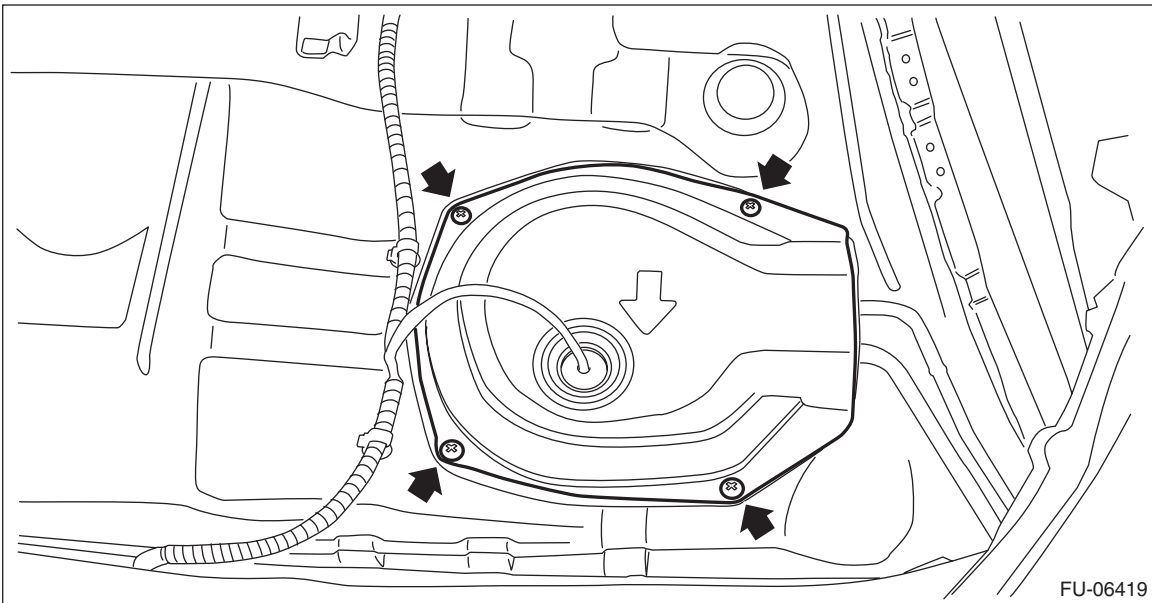
Fuel Tank

FUEL INJECTION (FUEL SYSTEMS)

- 6) Disconnect connectors from the fuel pump, and move aside the service hole cover.



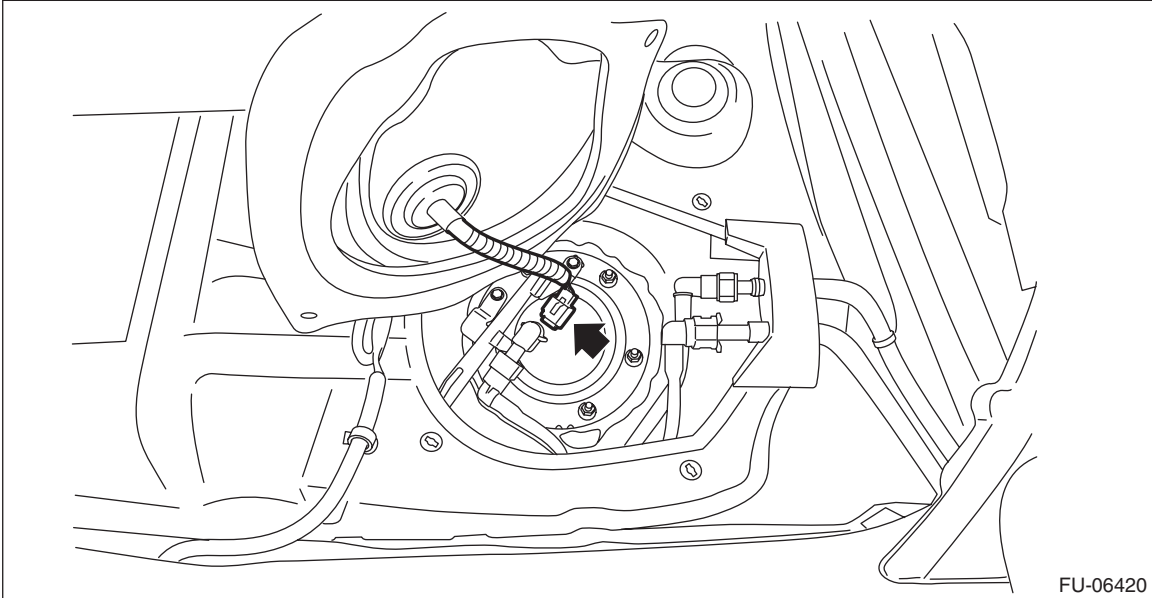
- 7) Remove the service hole cover of fuel sub level sensor.



Fuel Tank

FUEL INJECTION (FUEL SYSTEMS)

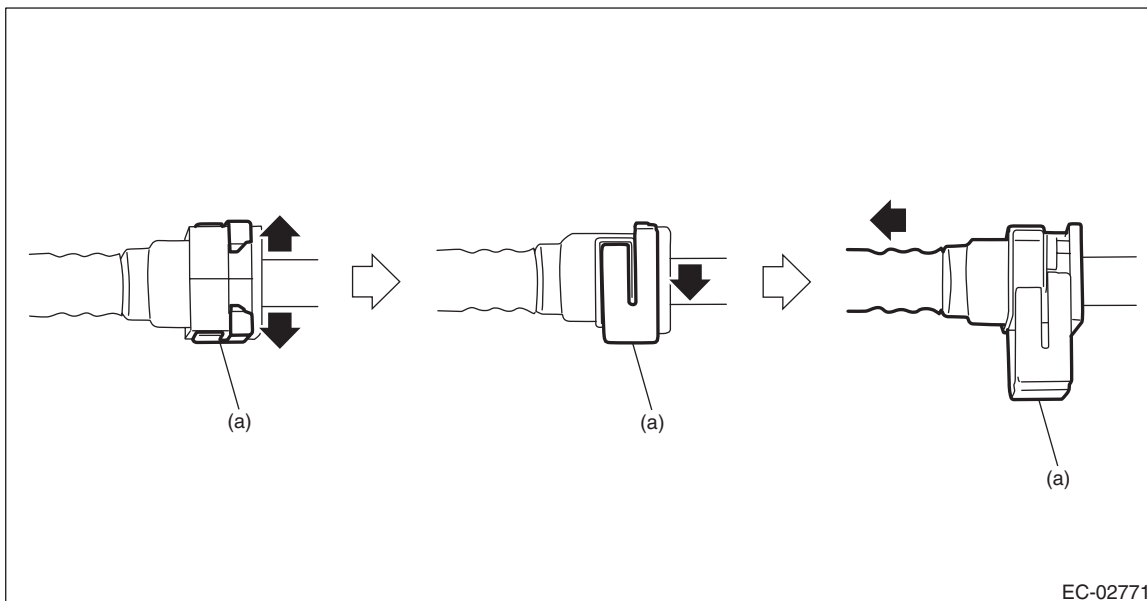
8) Disconnect connectors from the fuel sub level sensor, and move aside the service hole cover.



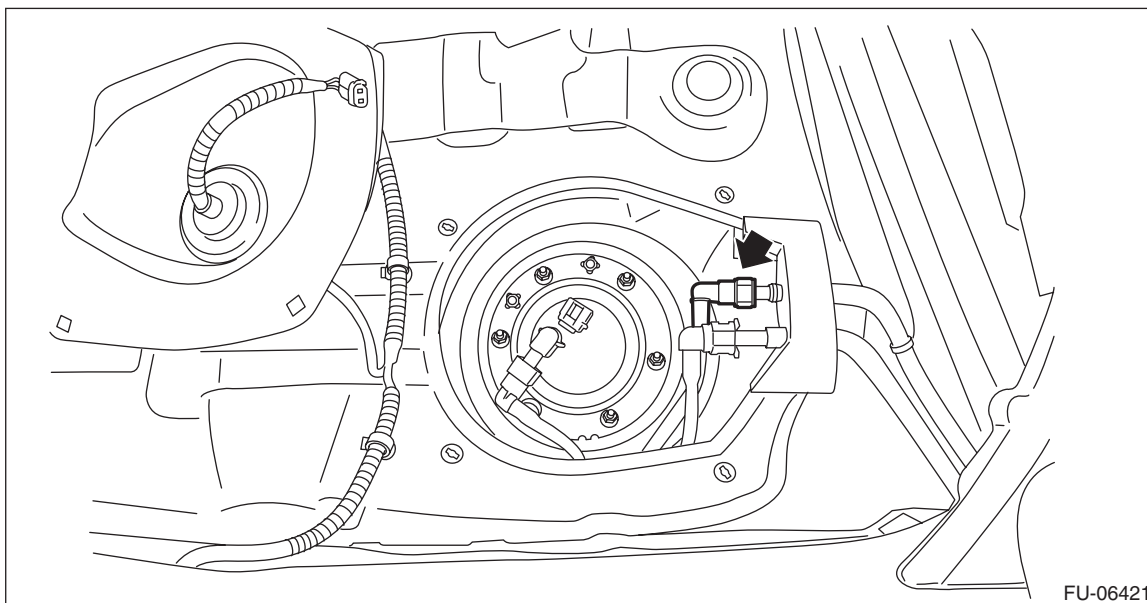
9) Disconnect the quick connector on the fuel delivery tube. <Ref. to FU(H4DO)-168, REMOVAL, Fuel Delivery and Evaporation Lines.>

NOTE:

Disconnect the quick connector as shown in the figure.



(a) Retainer



10) Lift up the vehicle.

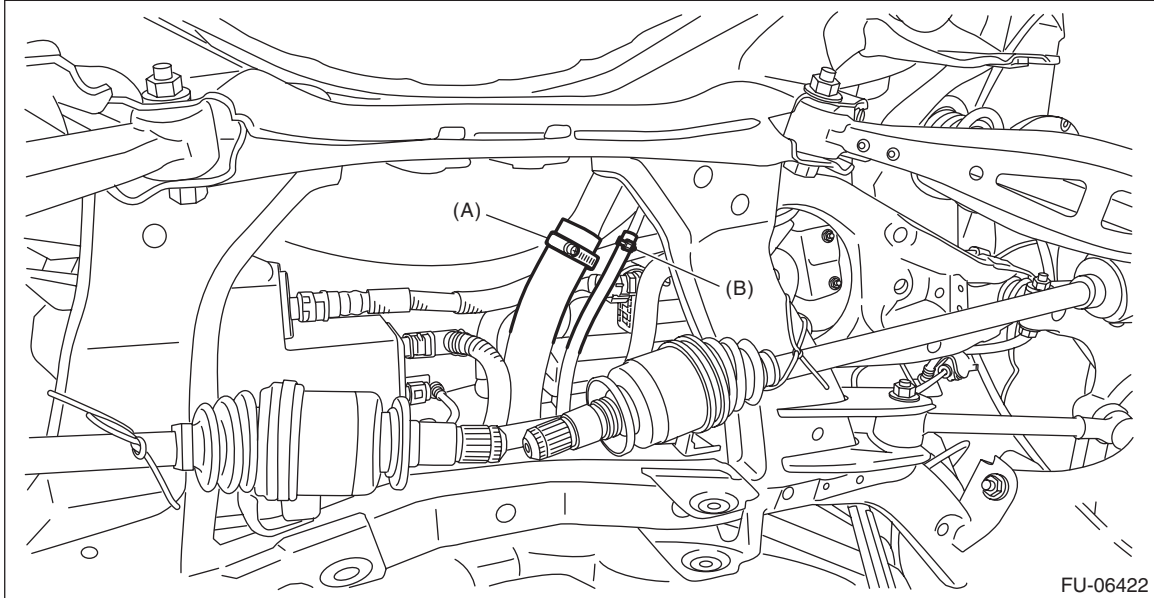
11) Remove the rear exhaust pipe and muffler. <Ref. to EX(H4DO)-15, REMOVAL, Rear Exhaust Pipe.> <Ref. to EX(H4DO)-19, REMOVAL, Muffler.>

12) Remove the rear differential. <Ref. to DI-22, REMOVAL, Rear Differential (T-type).> <Ref. to DI-41, REMOVAL, Rear Differential (VA-type).>

Fuel Tank

FUEL INJECTION (FUEL SYSTEMS)

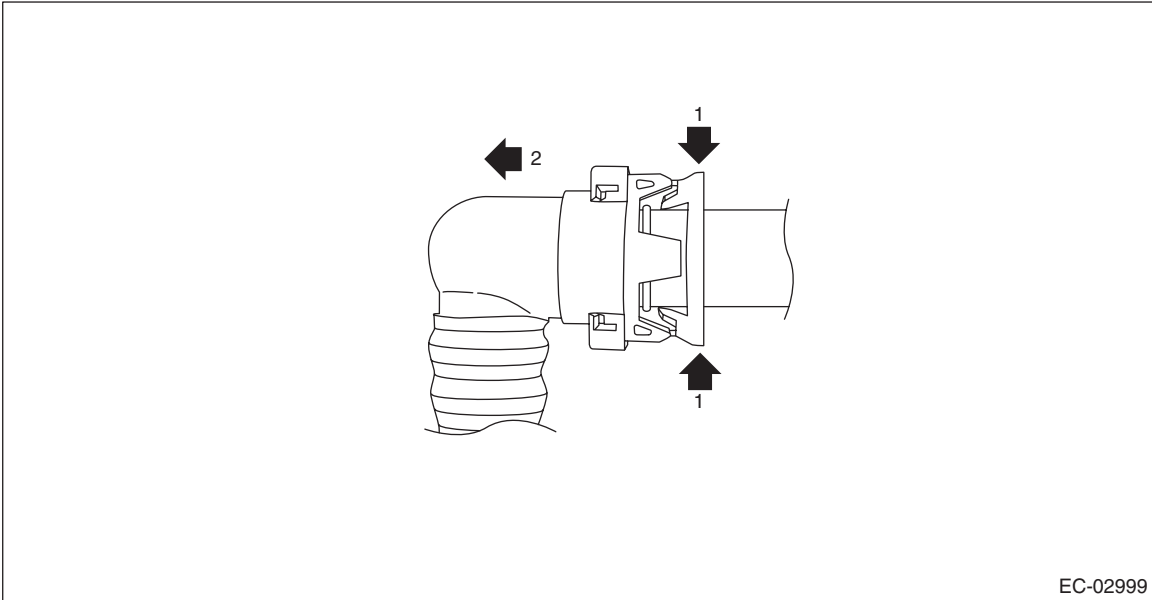
- 13) Disconnect the fuel filler hose (A) and evaporation hose (B) from the fuel filler pipe assembly.



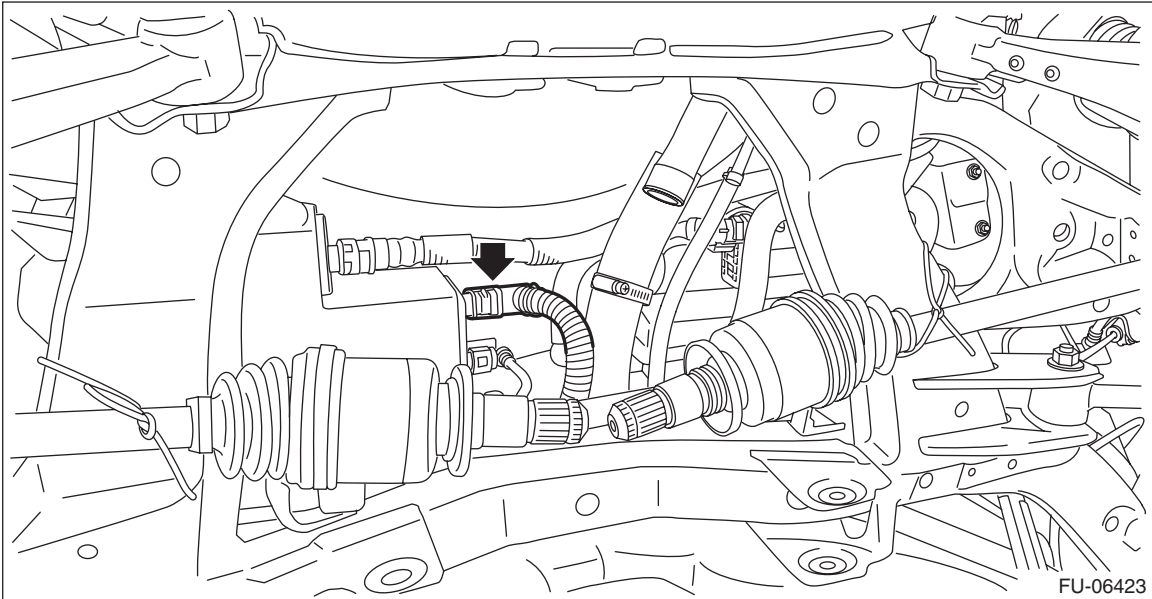
14) Disconnect the vent tube from canister.

NOTE:

Disconnect the quick connector as shown in the figure.



EC-02999

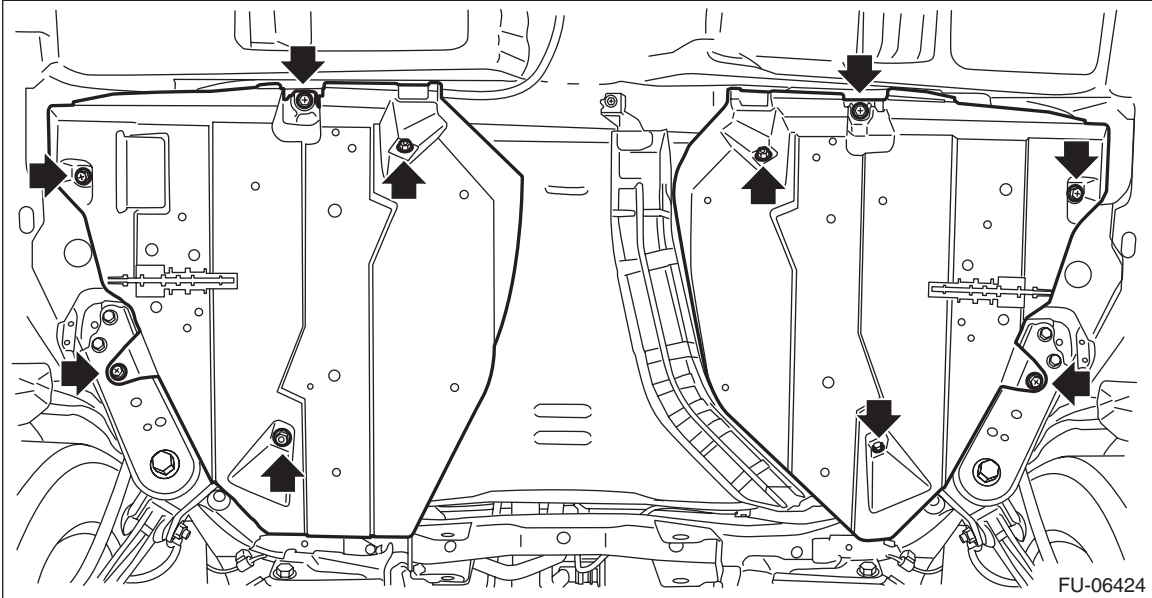


FU-06423

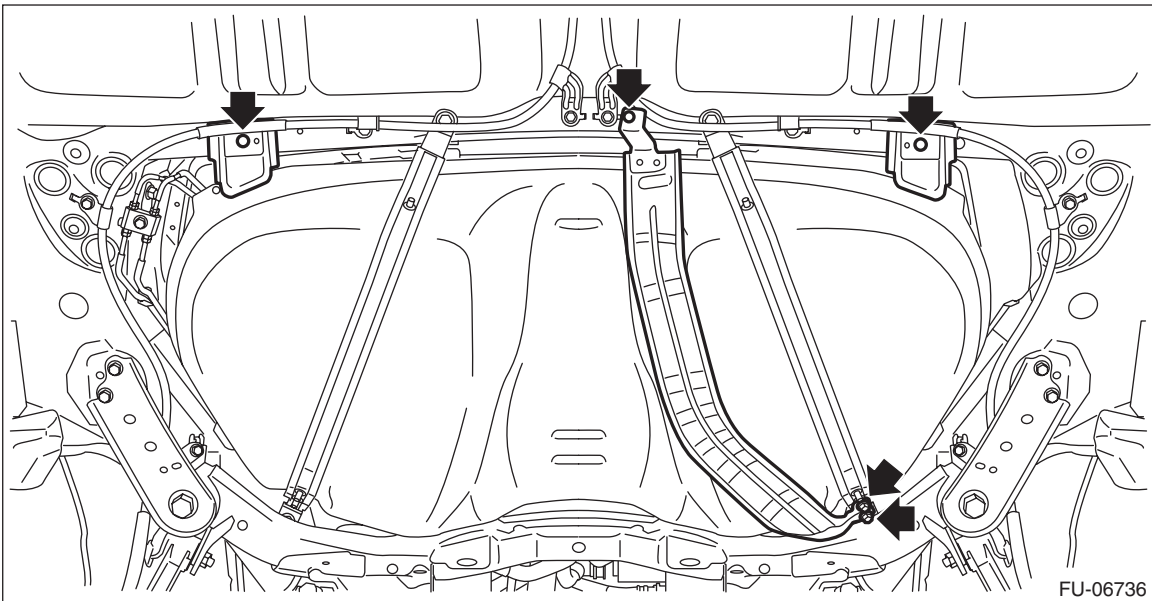
Fuel Tank

FUEL INJECTION (FUEL SYSTEMS)

15) Remove the fuel tank protector.



16) Remove the heat shield cover and stopper.



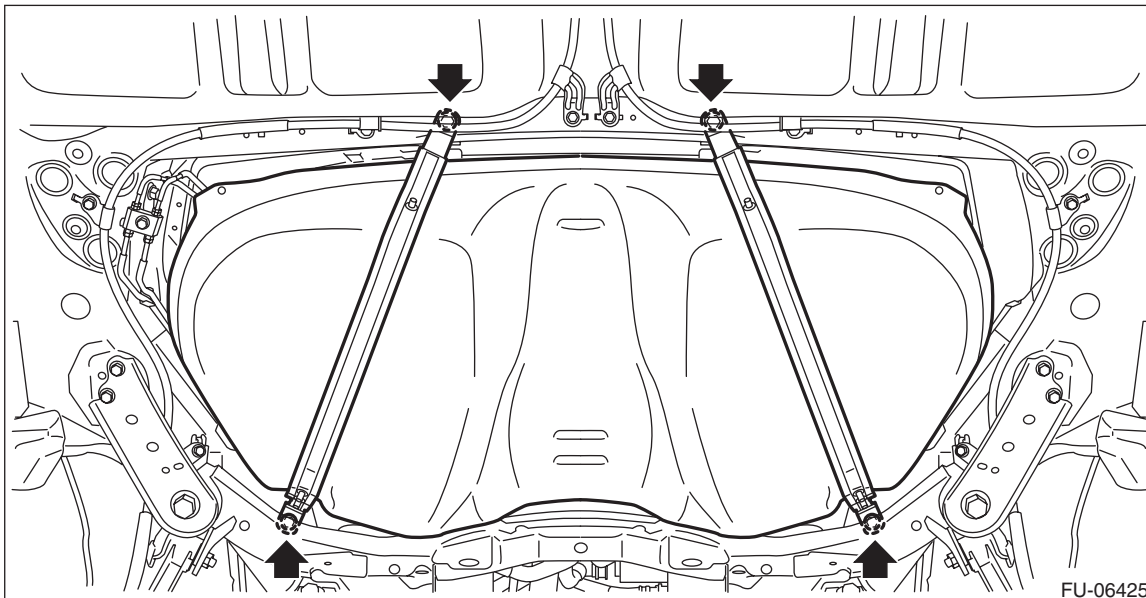
Fuel Tank

FUEL INJECTION (FUEL SYSTEMS)

17) Support the fuel tank with a transmission jack, remove the bolts from the fuel tank band, and remove the fuel tank from the vehicle.

WARNING:

- A helper is required to perform this work.
- Fuel may remain in the fuel tank. This will cause the left and right sides to be unbalanced. Be careful not to drop the fuel tank.

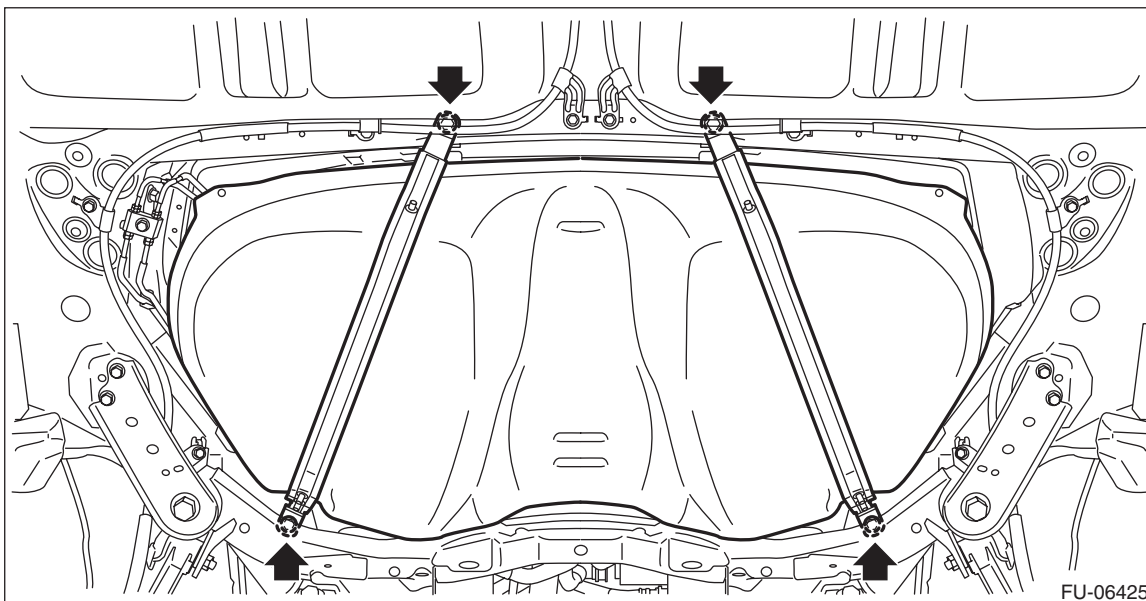


B: INSTALLATION

1) Support the fuel tank with a transmission jack, set the fuel tank in place, and temporarily tighten the bolts of the fuel tank band.

WARNING:

A helper is required to perform this work.



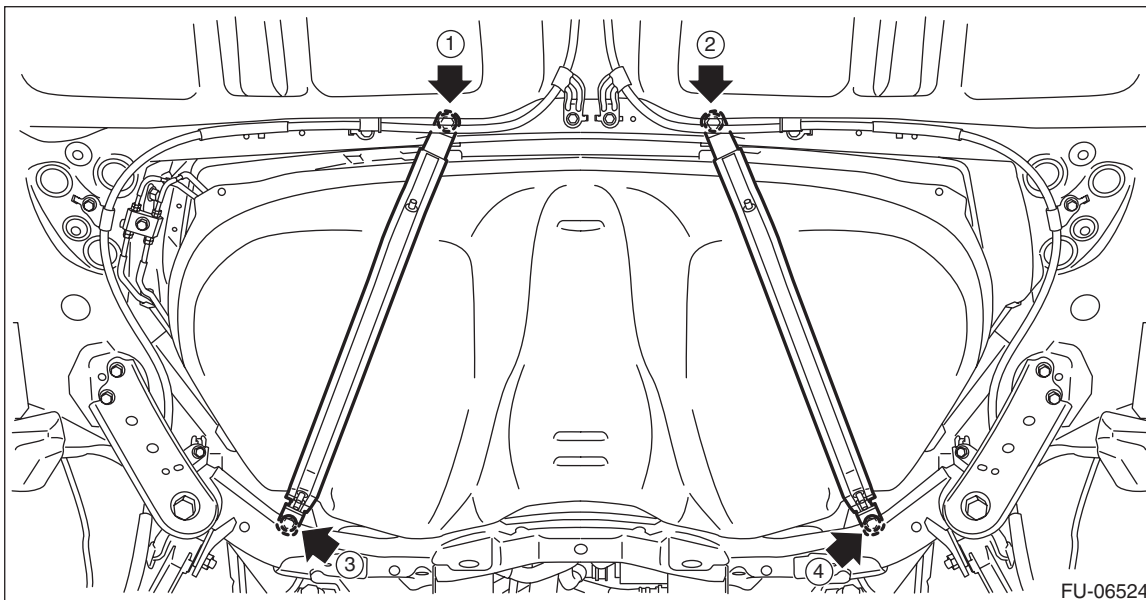
Fuel Tank

FUEL INJECTION (FUEL SYSTEMS)

2) Tighten the bolts of the fuel tank band in the order shown in the figure.

Tightening torque:

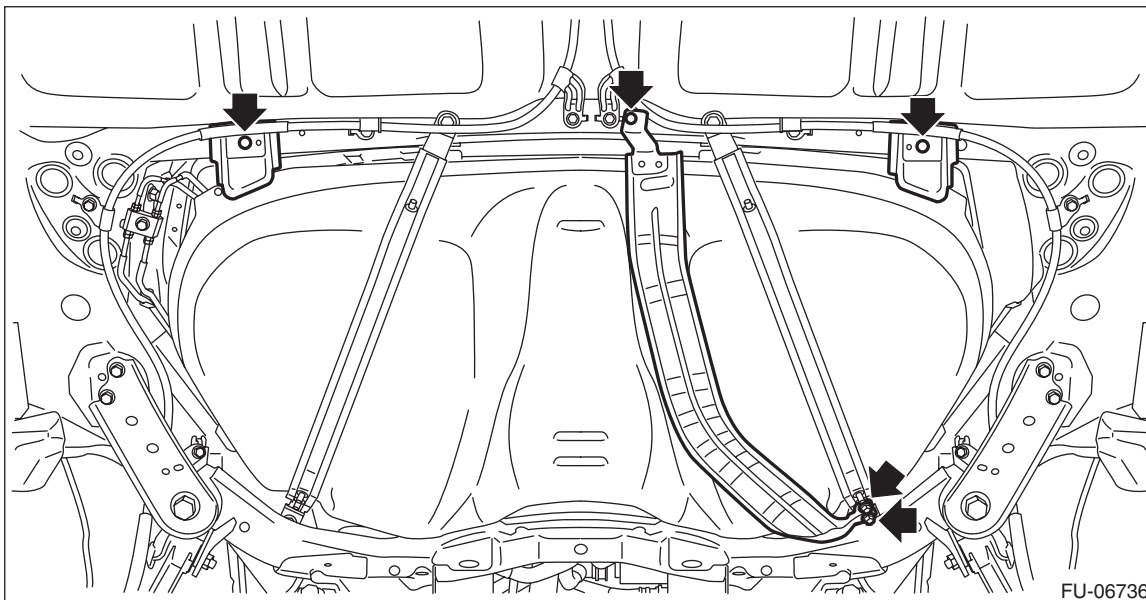
33 N·m (3.4 kgf·m, 24.3 ft·lb)



3) Install the heat shield cover and stopper.

Tightening torque:

18 N·m (1.8 kgf·m, 13.3 ft·lb)



Fuel Tank

4) Install the fuel tank protector.

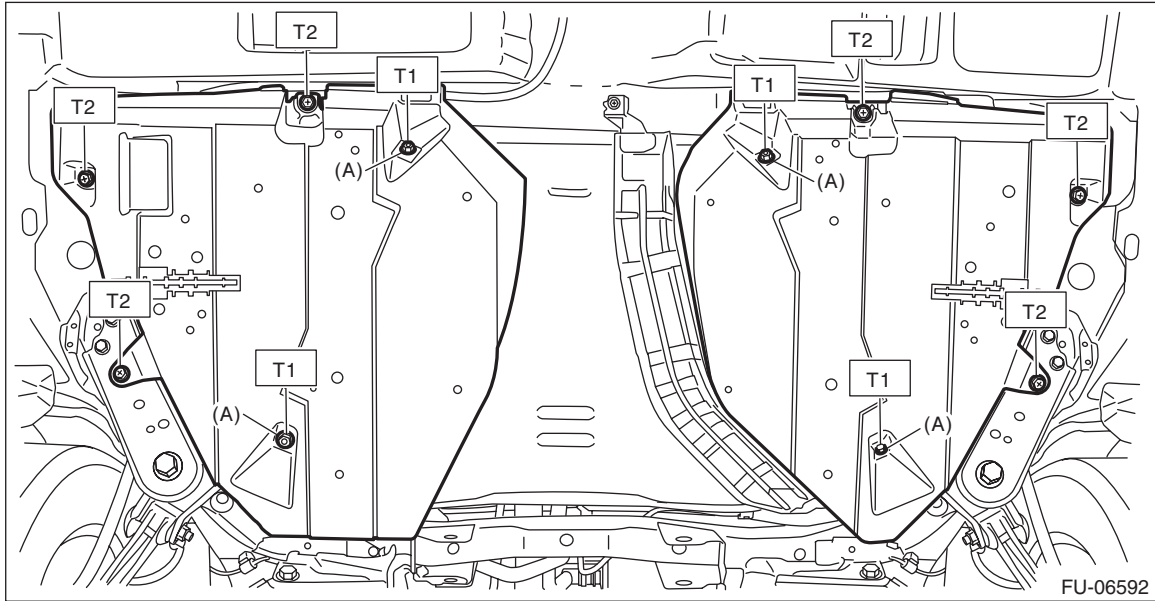
NOTE:

Use a new self-locking nut.

Tightening torque:

T1: 9 N·m (0.9 kgf-m, 6.6 ft-lb)

T2: 18 N·m (1.8 kgf-m, 13.3 ft-lb)



(A) Self-locking nut

Fuel Tank

FUEL INJECTION (FUEL SYSTEMS)

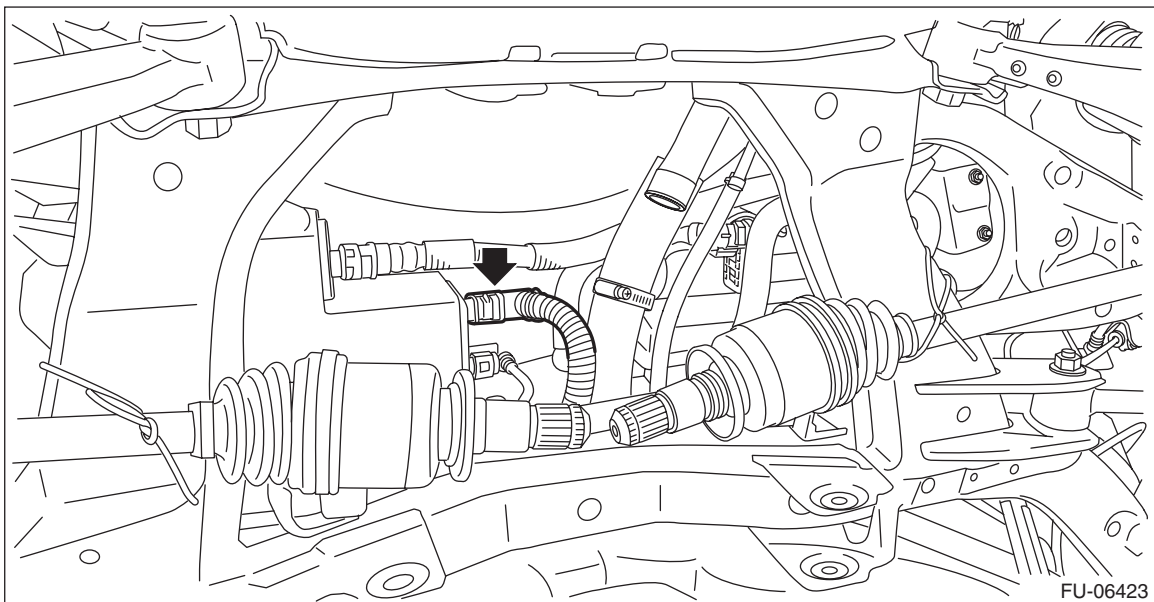
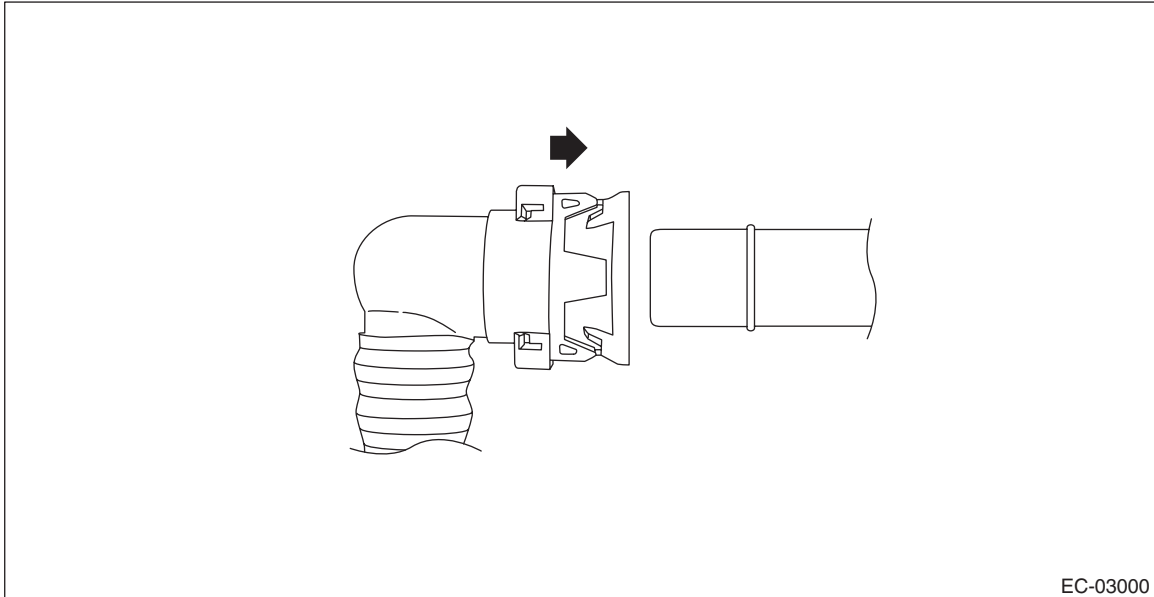
5) Connect the vent tube to the canister.

CAUTION:

- Check that there is no damage or dust on the quick connector. If necessary, clean the seal surface of the pipe.
- Make sure that the quick connector is securely connected.

NOTE:

Connect the quick connector as shown in the figure.

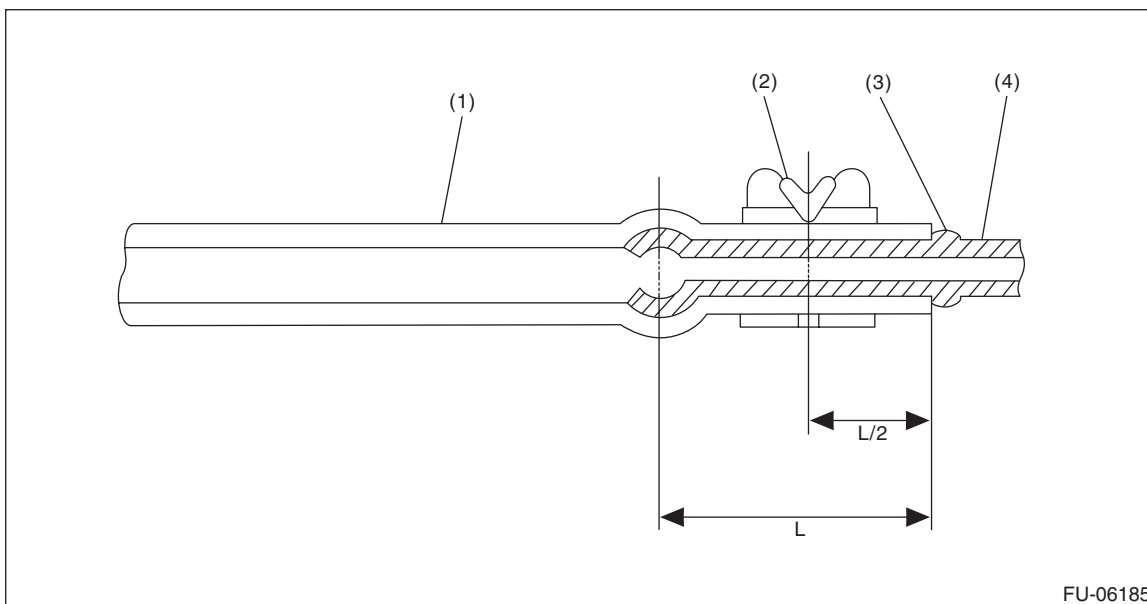
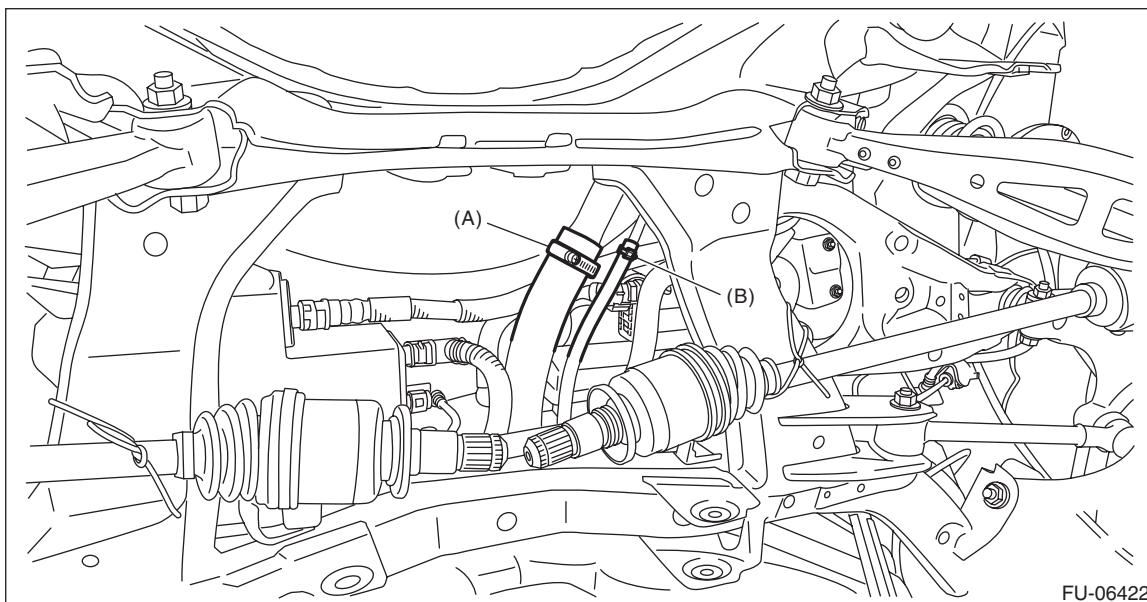


Fuel Tank

6) Install the fuel filler hose (A) and the evaporation hose (B) to the fuel filler pipe assembly.

Tightening torque:

2.5 N·m (0.3 kgf·m, 1.8 ft·lb)



(1) Hose

(3) Spool

(4) Pipe

(2) Clamp or clip

7) Install the rear differential. <Ref. to DI-24, INSTALLATION, Rear Differential (T-type).> <Ref. to DI-41, INSTALLATION, Rear Differential (VA-type).>

8) Install the rear exhaust pipe and muffler. <Ref. to EX(H4DO)-17, INSTALLATION, Rear Exhaust Pipe.> <Ref. to EX(H4DO)-22, INSTALLATION, Muffler.>

Fuel Tank

FUEL INJECTION (FUEL SYSTEMS)

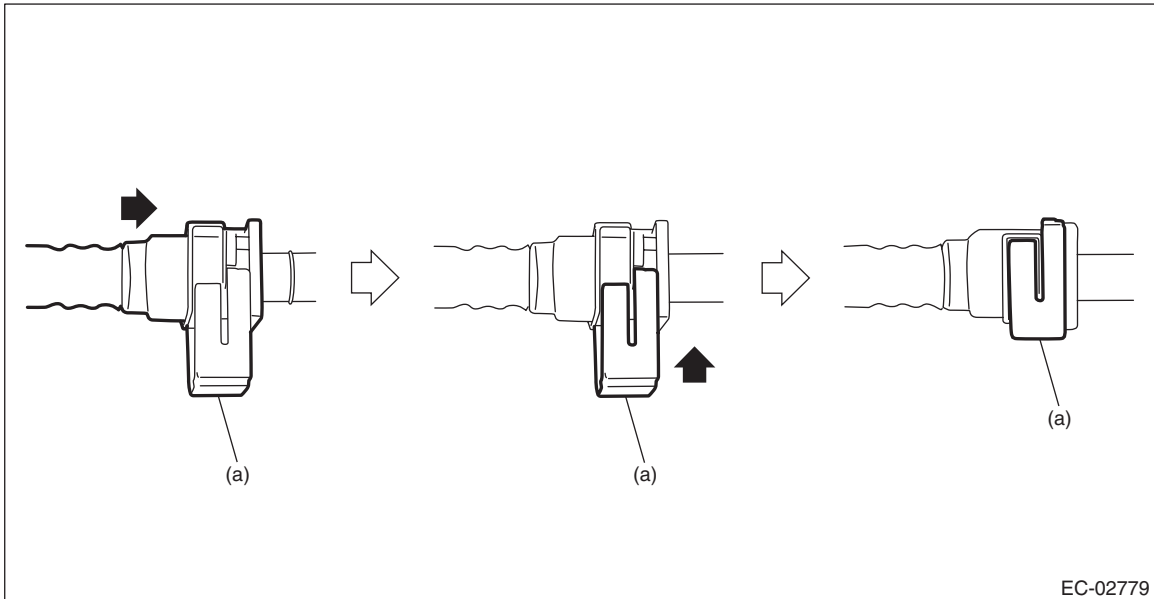
9) Connect the quick connector of the fuel delivery tube.

CAUTION:

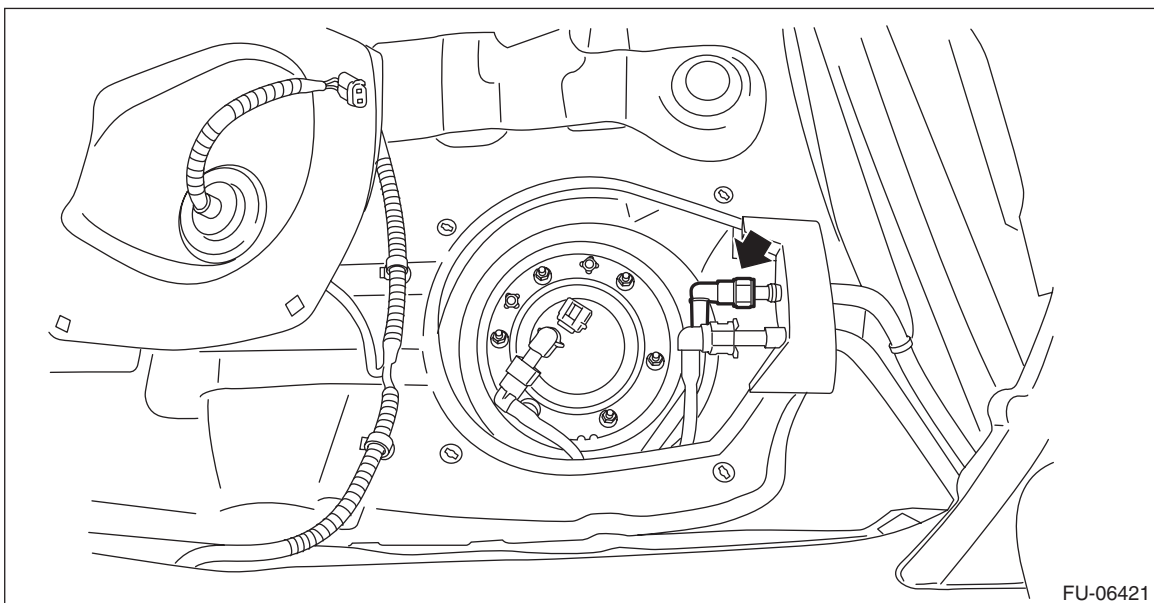
- Check that there is no damage or dust on the quick connector. If necessary, clean the seal surface of the pipe.
- Make sure that the quick connector is securely connected.

NOTE:

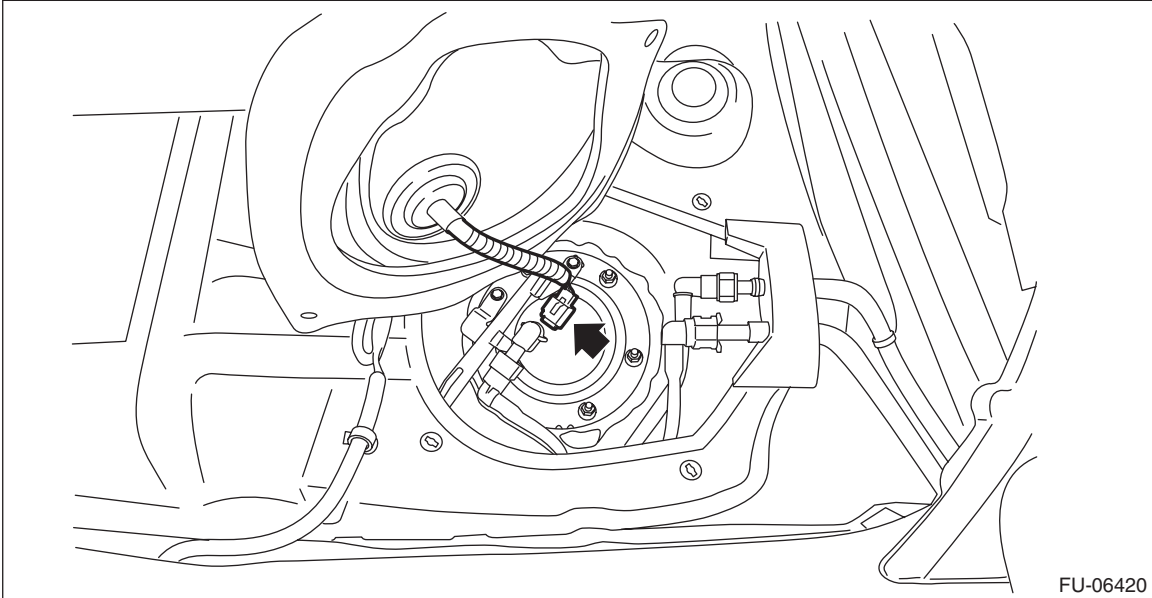
Connect the quick connector as shown in the figure.



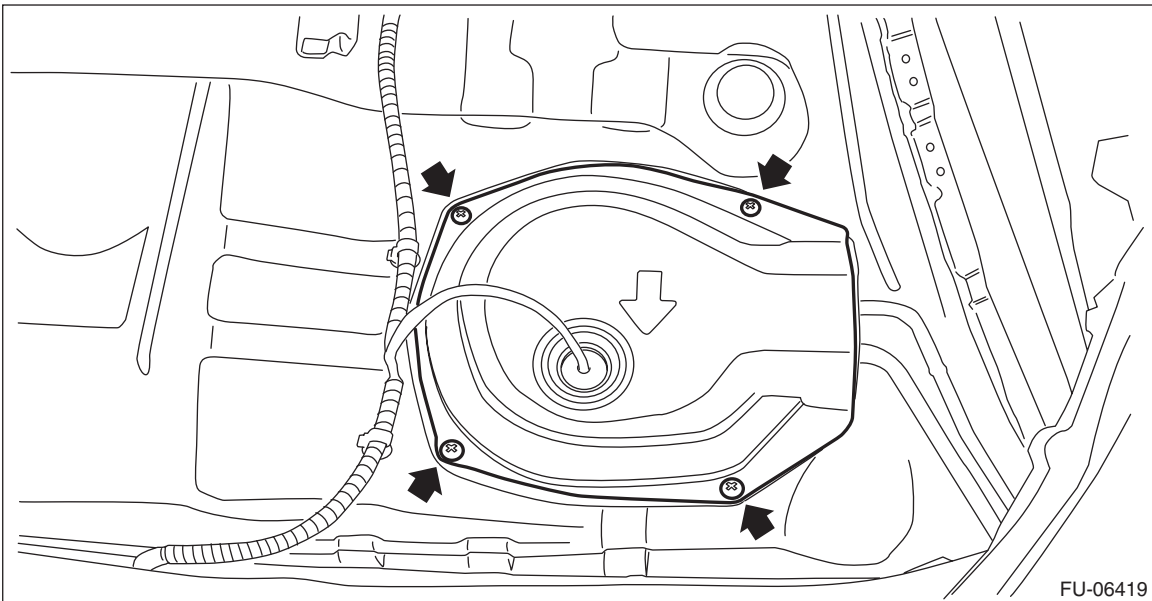
(a) Retainer



10) Connect the connector to the fuel sub level sensor.



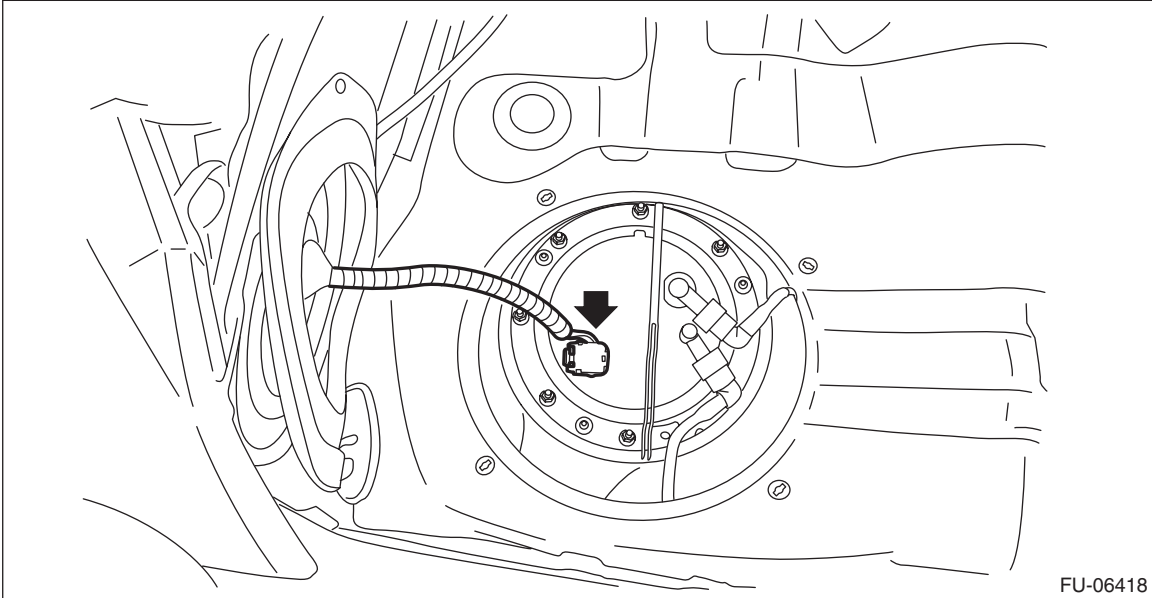
11) Install the service hole cover of fuel sub level sensor.



Fuel Tank

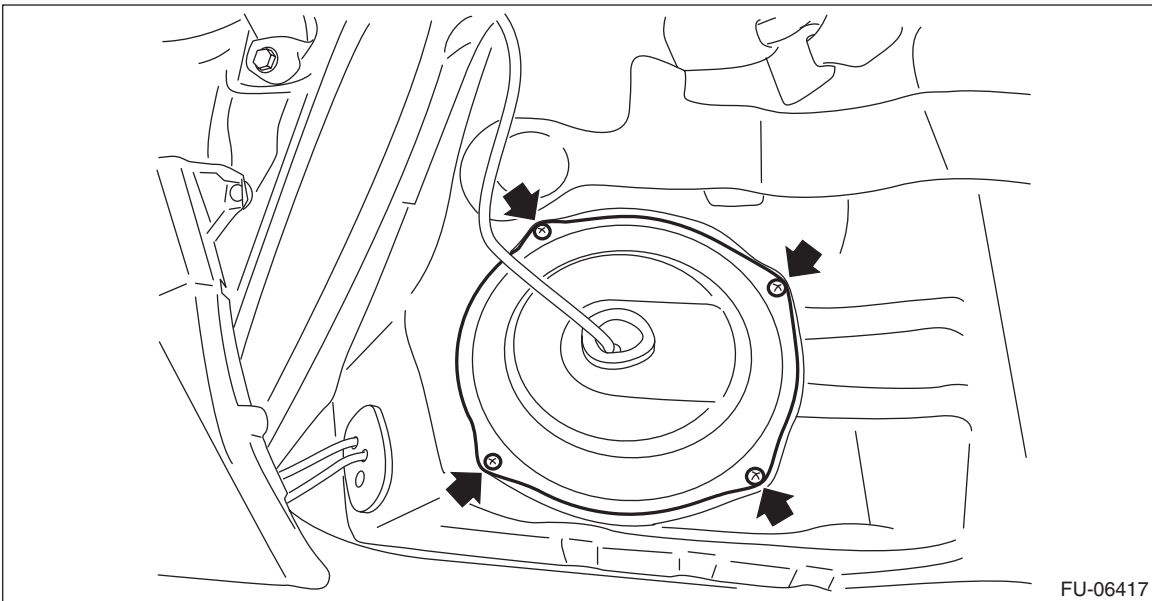
FUEL INJECTION (FUEL SYSTEMS)

12) Connect the connector to the fuel pump.



FU-06418

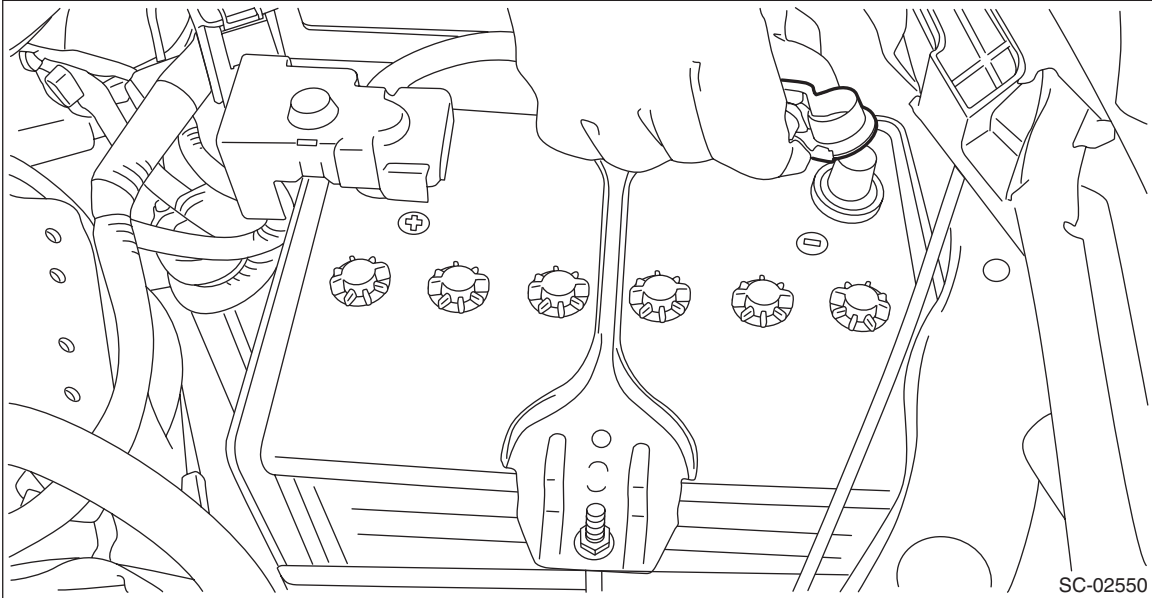
13) Install the service hole cover of fuel pump.



FU-06417

14) Install the rear seat cushion. <Ref. to SE-25, INSTALLATION, Rear Seat.>

15) Connect the battery ground terminal.



C: INSPECTION

- 1) Check that the fuel tank and fuel pipe have no deformation, cracks and other damages.
- 2) Check that the fuel hose has no cracks, damage or loose part.