

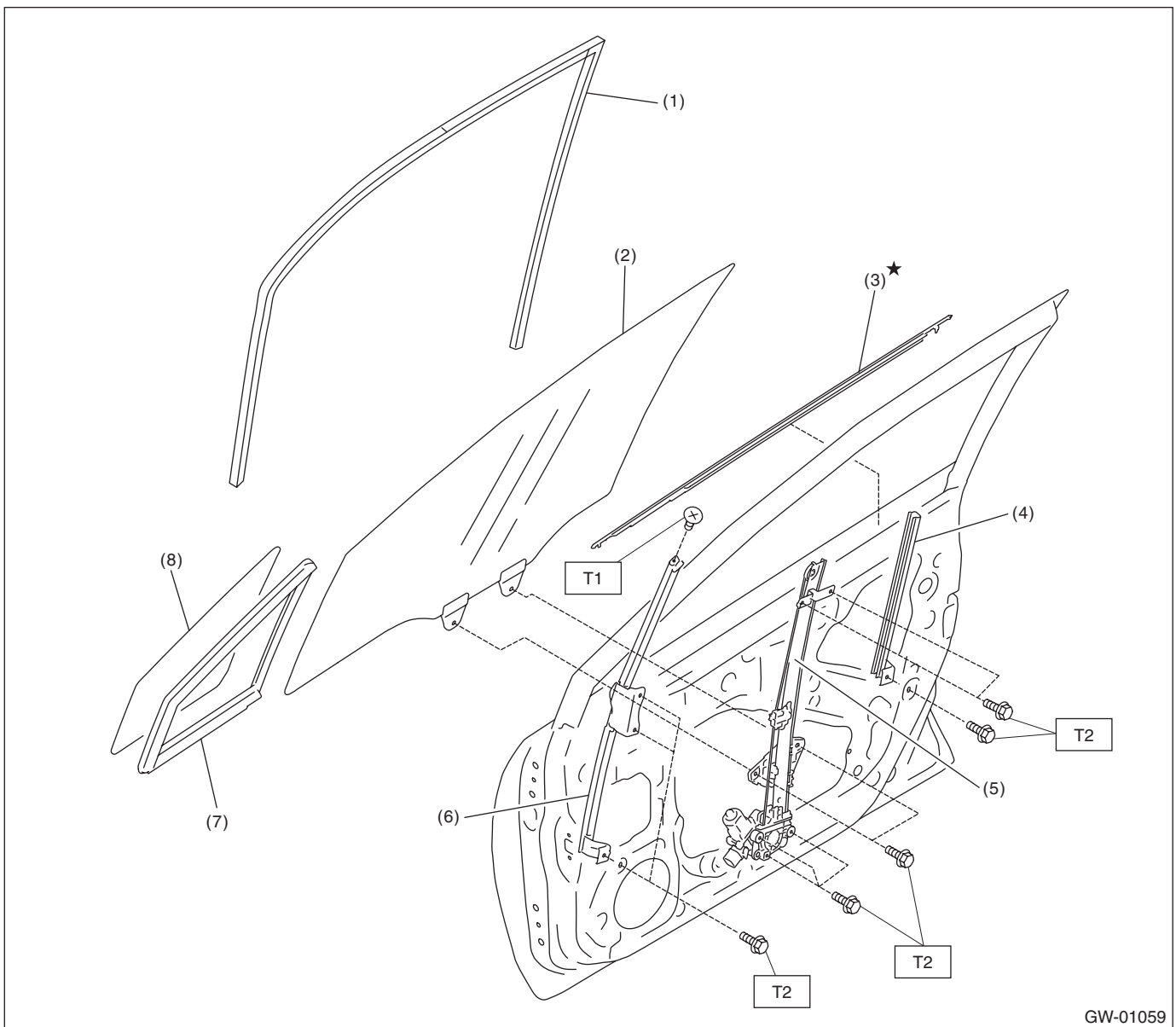
General Description

GLASS/WINDOWS/MIRRORS

1. General Description

A: COMPONENT

1. FRONT DOOR GLASS



GW-01059

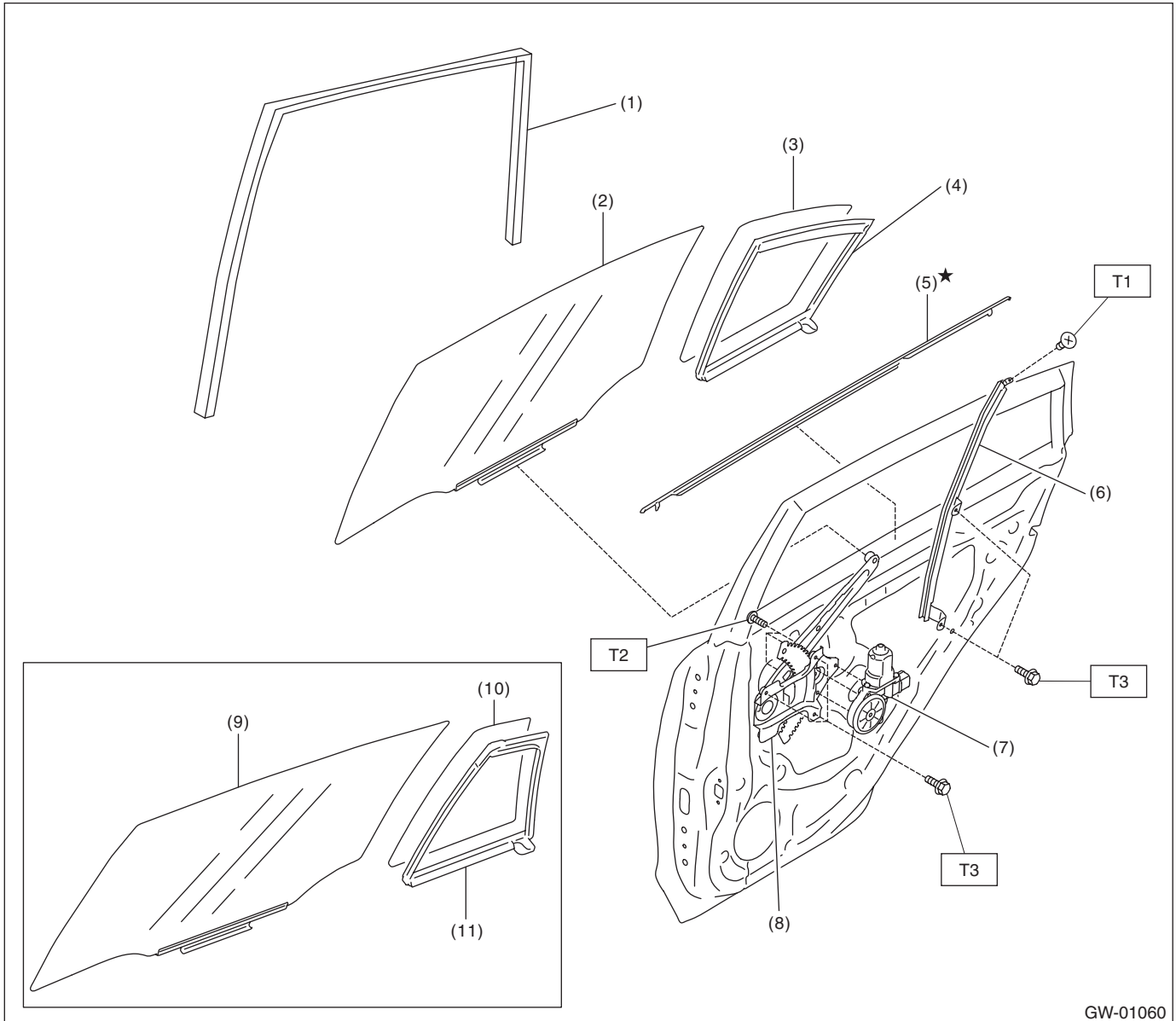
- | | |
|--------------------------------------|--|
| (1) Running channel - front door | (5) Regulator & motor ASSY - front |
| (2) Glass ASSY - front door | (6) Sash COMPL - partition |
| (3) Weather strip outer - front door | (7) Weather strip - front door partition |
| (4) Sash COMPL - lower | (8) Glass - front door partition |

Tightening torque: N·m (kgf·m, ft·lb)

T1: 2.2 (0.22, 1.6)

T2: 7.5 (0.76, 5.5)

2. REAR DOOR GLASS



GW-01060

- | | |
|---|--|
| (1) Running channel - rear door | (7) Motor - rear |
| (2) Glass ASSY - rear door (4 door model) | (8) Regulator - rear |
| (3) Glass - rear door partition (4 door model) | (9) Glass ASSY - rear door (5 door model/XV model) |
| (4) Weather strip - front door partition (4 door model) | (10) Glass - rear door partition (5 door model/XV model) |
| (5) Weather strip outer - rear door | (11) Weather strip - rear door partition (5 door model/XV model) |
| (6) Sash COMPL - rear partition | |

Tightening torque: N·m (kgf·m, ft·lb)

T1: 2.2 (0.22, 1.6)

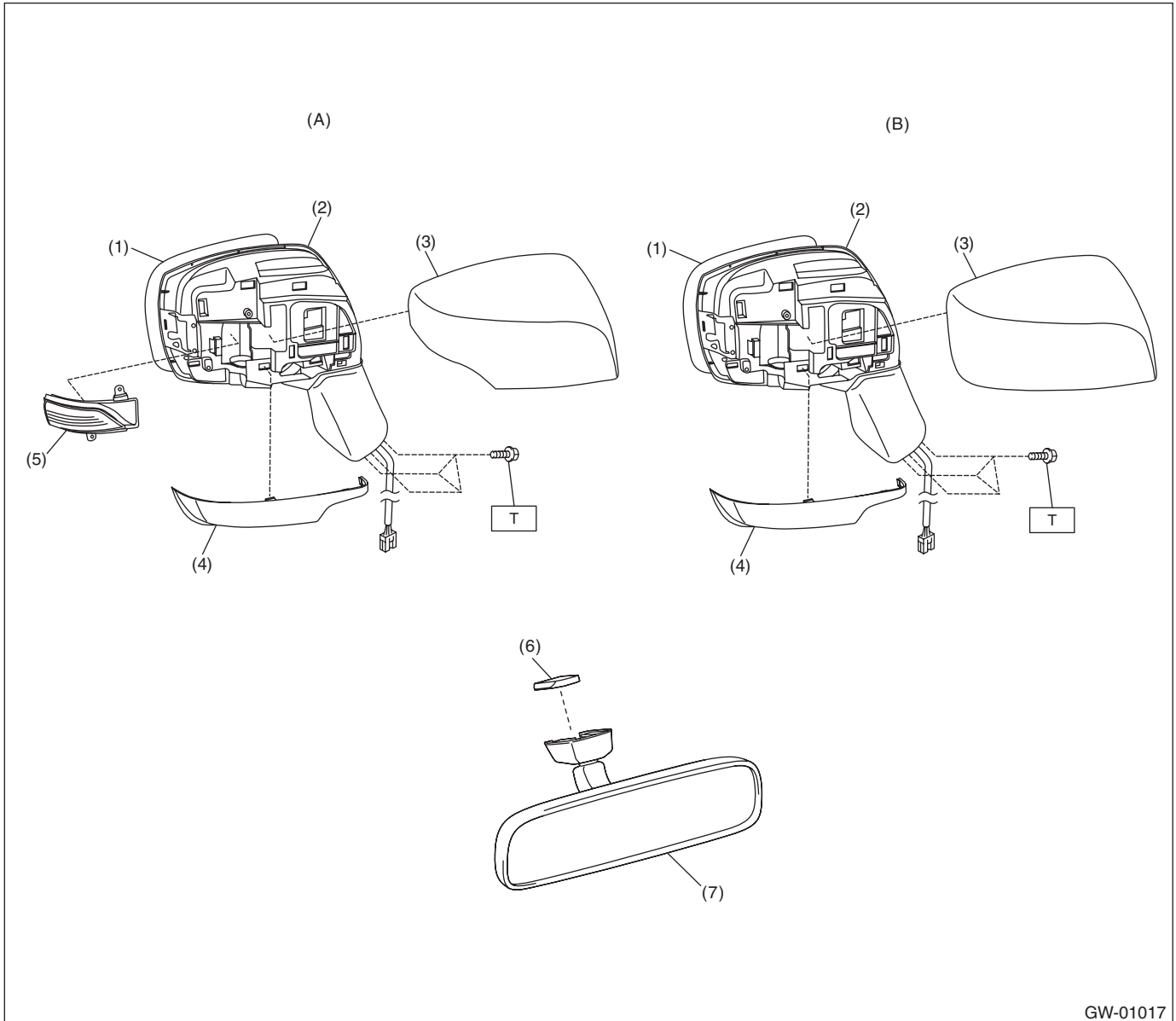
T2: 5.9 (0.6, 4.4)

T3: 7.5 (0.76, 5.5)

General Description

GLASS/WINDOWS/MIRRORS

3. MIRROR



(A) Model with side turn

(B) Model without side turn

(1) Mirror - repair

(2) Mirror unit - door

(3) Cover - cap outer mirror

(4) Cover - cap outer mirror lower

(5) Light ASSY - side turn mirror

(6) Base - inner mirror

(7) Mirror ASSY - inner rearview

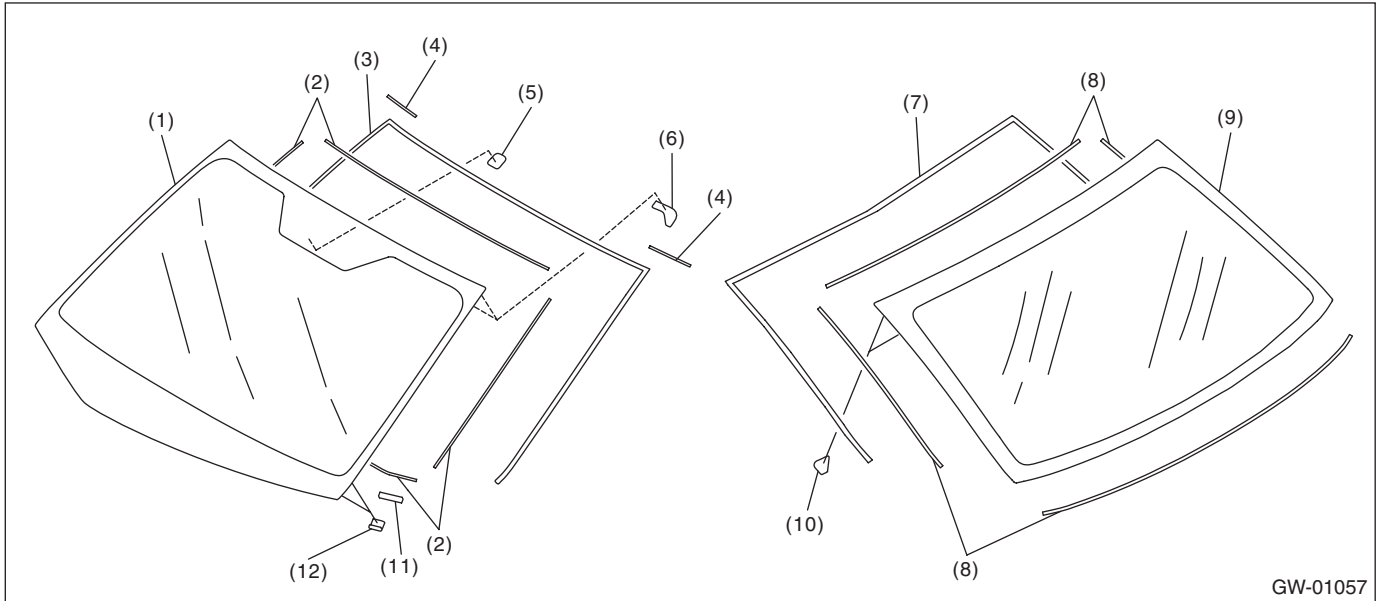
Tightening torque: N·m (kgf·m, ft·lb)

T: 7.5 (0.76, 5.5)

General Description

GLASS/WINDOWS/MIRRORS

4. FIXED GLASS (4 DOOR MODEL)



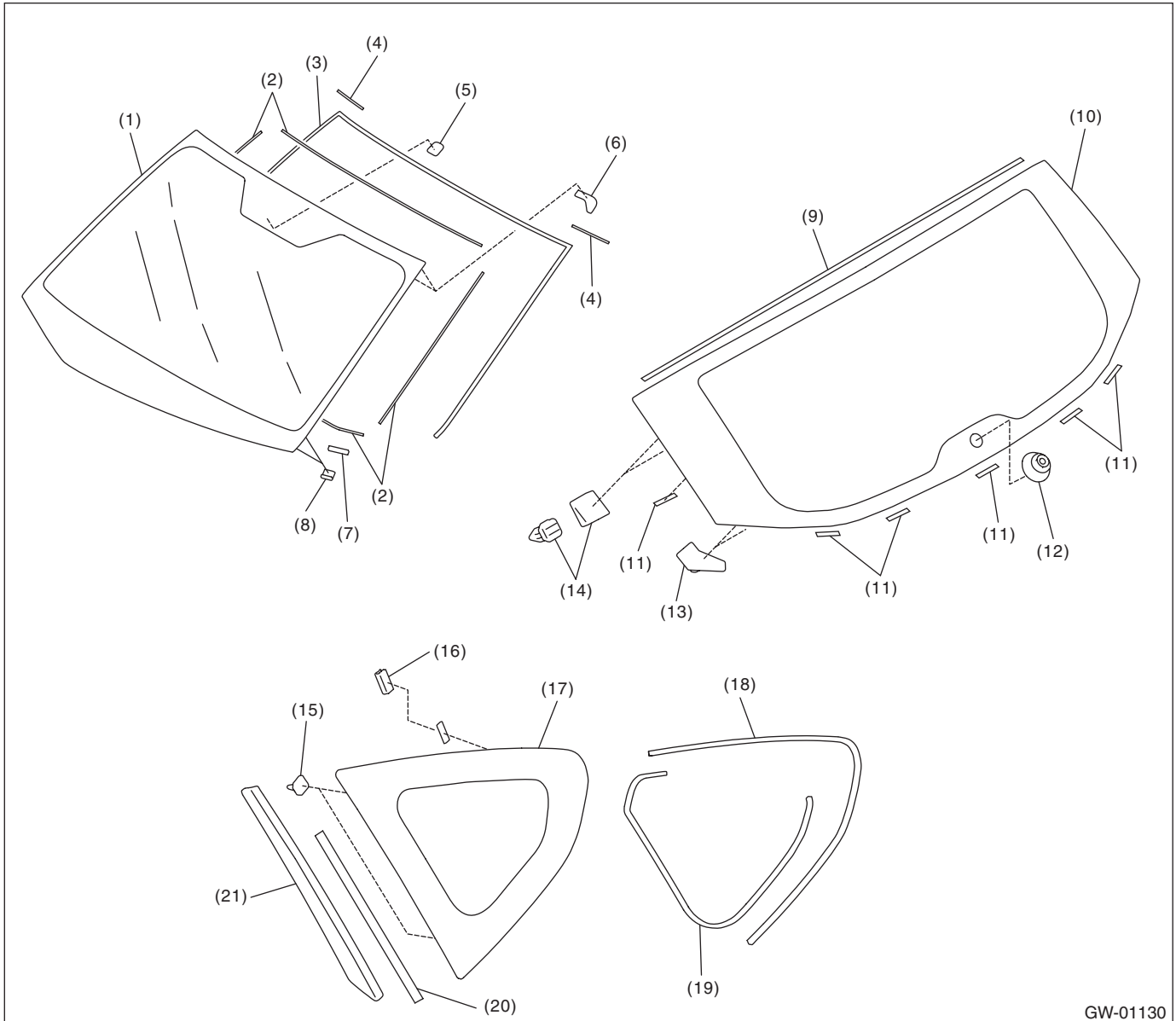
GW-01057

- | | | |
|----------------------------|---------------------------------|---------------------------------|
| (1) Glass - front window | (5) Base - inner mirror | (9) Glass - rear window |
| (2) Dam rubber - front | (6) Locating pin - front window | (10) Locating pin - rear window |
| (3) Molding - front window | (7) Molding - rear window | (11) Seal - lower VIN |
| (4) Seal - upper | (8) Dam rubber - rear | (12) Seal - lower |

General Description

GLASS/WINDOWS/MIRRORS

5. FIXED GLASS (5 DOOR MODEL/XV MODEL)



GW-01130

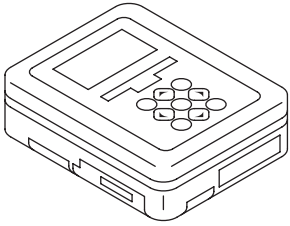
- | | | |
|---------------------------------|-------------------------------|----------------------------------|
| (1) Glass - front window | (8) Seal - lower | (15) Locating pin - rear quarter |
| (2) Dam rubber - front | (9) Dam rubber - rear gate | (16) Fastener - rear quarter |
| (3) Molding - front window | (10) Glass - rear gate | (17) Glass - rear quarter |
| (4) Seal - upper | (11) Spacer - rear gate | (18) Dam rubber - rear quarter |
| (5) Base - inner mirror | (12) Cap - pivot | (19) Seal - rear quarter |
| (6) Locating pin - front window | (13) Locating pin - rear gate | (20) Protective plate |
| (7) Seal - lower VIN | (14) Holder - rear gate | (21) Molding - rear quarter |

B: CAUTION

- Before disassembling or reassembling parts, always disconnect the battery ground cable from battery. When replacing the audio, control module and other parts provided with memory functions, record the memory contents before disconnecting the battery ground cable. Otherwise, the memory is cleared.
- Avoid impact and damage to the glass.
- Reassemble the parts in the reverse order of disassembly procedure unless otherwise indicated.
- Connect the connectors securely during reassembly.
- After reassembly, make sure that the each component operates normally.

C: PREPARATION TOOL

1. SPECIAL TOOL

ILLUSTRATION	TOOL NUMBER	DESCRIPTION	REMARKS
 ST1B022XU0	1B022XU0	SUBARU SELECT MONITOR III KIT	Used for setting of each function and troubleshooting for electrical system.

2. GENERAL TOOL

TOOL NAME	REMARKS
Circuit tester	Used for measuring resistance and voltage.
Piano wire	Used for removing the window glass.
Cutter knife	Used for removing the window glass.
Windshield glass knife	Used for removing the window glass.