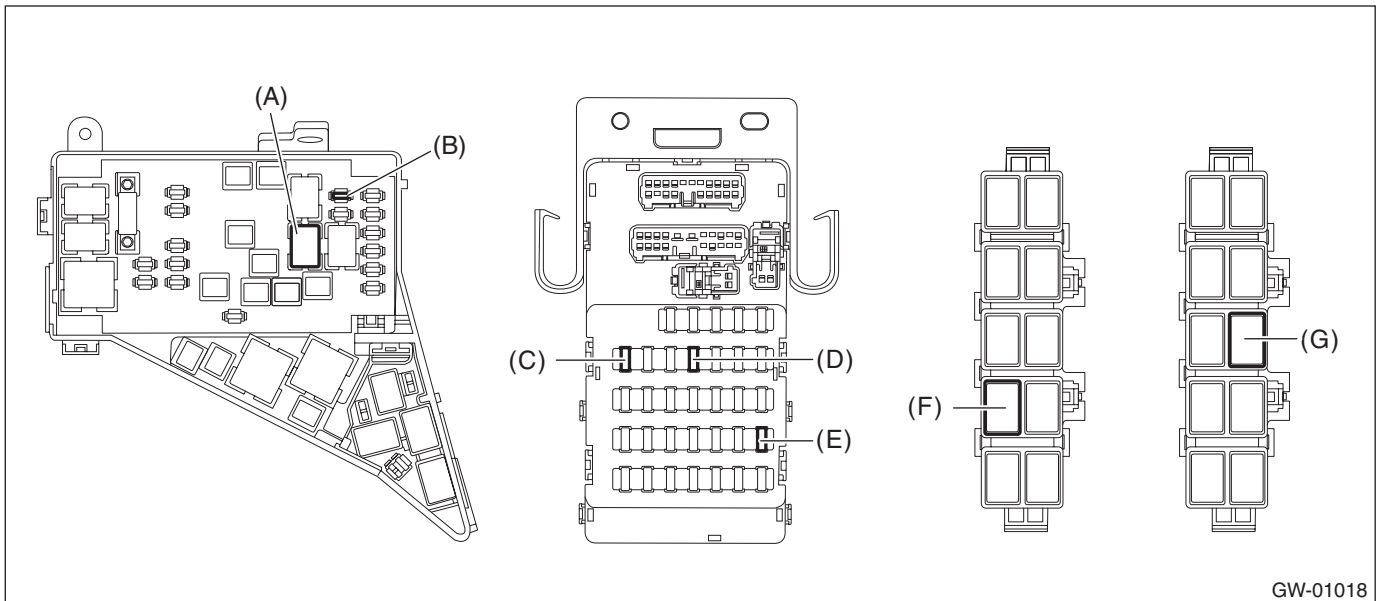


Relay and Fuse

GLASS/WINDOWS/MIRRORS

2. Relay and Fuse

A: LOCATION



GW-01018

Main fuse box	Rear defogger relay	(A)
	Fuse 25 A (rear defogger)	(B)
Relay & fuse box	Fuse 7.5 A (remote control mirror)	(C)
	Fuse 15 A (wiper deicer)	(D)
	Fuse 7.5 A (power window)	(E)
Relay holder	Power window relay	(F)
	Wiper deicer relay	(G)

NOTE:

For other related fuses, refer to the wiring diagram. <Ref. to WI-15, Power Supply Circuit.>

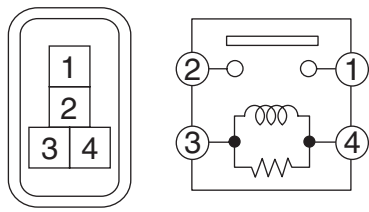
B: INSPECTION

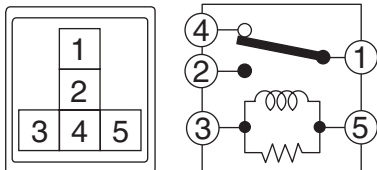
1. CHECK FUSE

- 1) Remove the fuse and check visually.
- 2) If the fuse is blown out, replace the fuse.

2. CHECK RELAY

- 1) Check the resistance between relay terminals.

Terminal No.	Inspection conditions	Specification	Circuit
1 — 2	Always	1 M Ω or more	 <p style="text-align: right; margin-top: 5px;">SR-00180</p>
1 — 2	Apply battery voltage between 4 — 3 terminals.	Less than 1 Ω	

Terminal No.	Inspection conditions	Specification	Circuit
1 — 2	Always	1 M Ω or more	 <p style="text-align: right; margin-top: 5px;">SL-01085</p>
1 — 4	Always	Less than 1 Ω	
1 — 2	Apply battery voltage between 3 — 5 terminals.	Less than 1 Ω	

- 2) Replace the relay if the inspection result is not within the standard value.