

Front Door Glass

GLASS/WINDOWS/MIRRORS

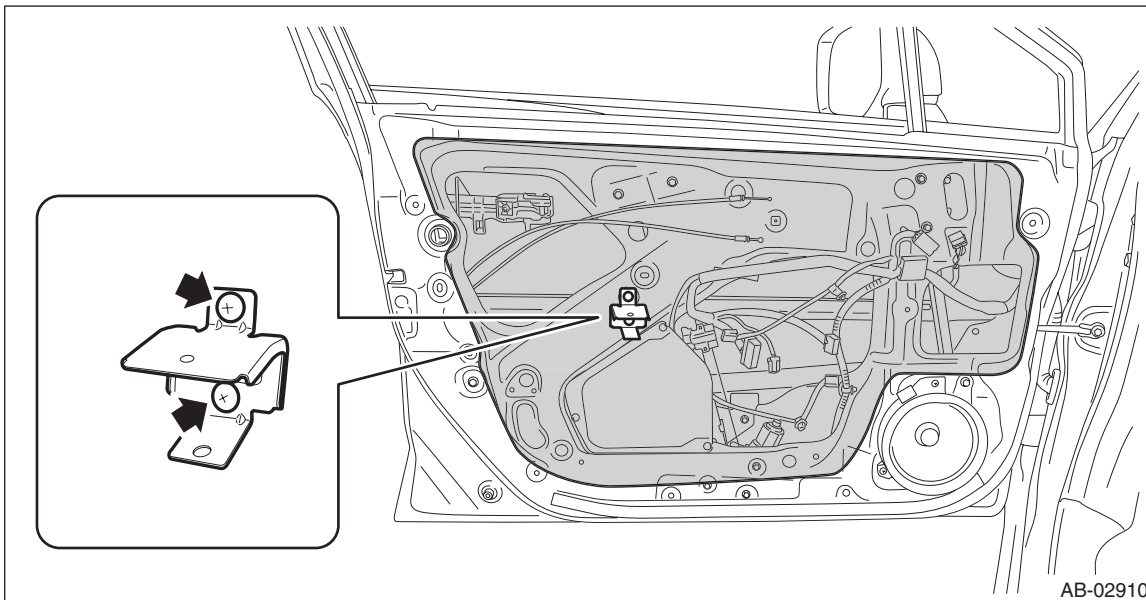
5. Front Door Glass

A: REMOVAL

- 1) Remove the trim panel - front door. <Ref. to EI-61, FRONT DOOR, REMOVAL, Door Trim.>
- 2) Remove the sealing cover - front door.

CAUTION:

- Carefully remove the butyl tape. Excessive force will easily break the sealing cover - front door.
- If the sealing cover - front door gets broken, replace it with a new part.
 - (1) Remove the screw to remove the bracket - door trim front.
 - (2) Carefully remove the butyl tape to remove the sealing cover - front door.



- 3) Remove the front door inner pad.

CAUTION:

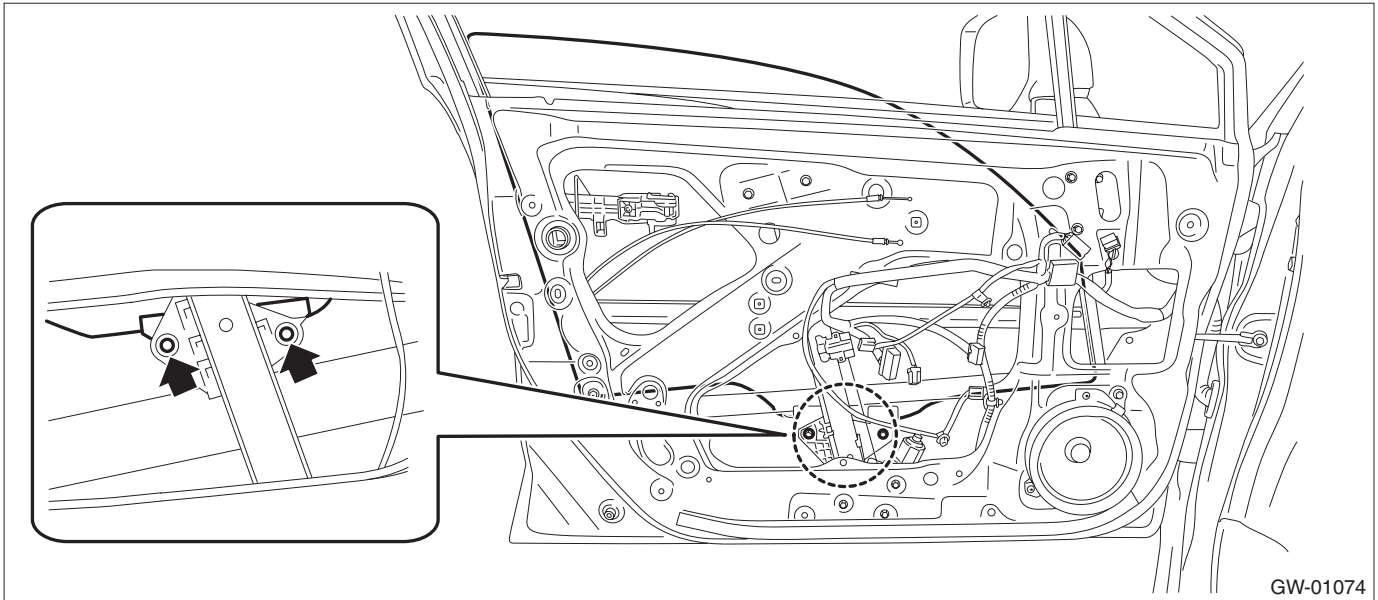
If the clip is damaged, replace it with a new part because the panel assembly - front door may be deformed.

- 4) Attach the battery ground cable and the switch - power window, and turn the ignition to ON.

5) Remove the glass assembly - front door.

(1) Operate the switch - power window to move the glass assembly - front door to the position where the mounting bolts can be seen.

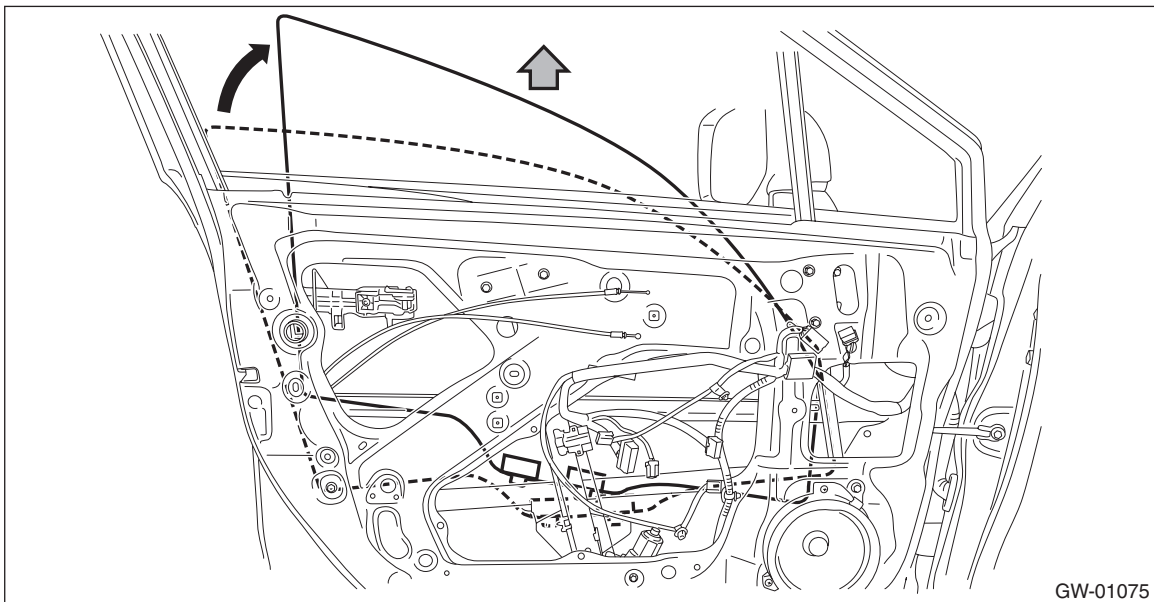
(2) Remove the bolt.



(3) While tilting the glass, remove the glass assembly - front door.

CAUTION:

Avoid impact and damage to the glass assembly - front door.

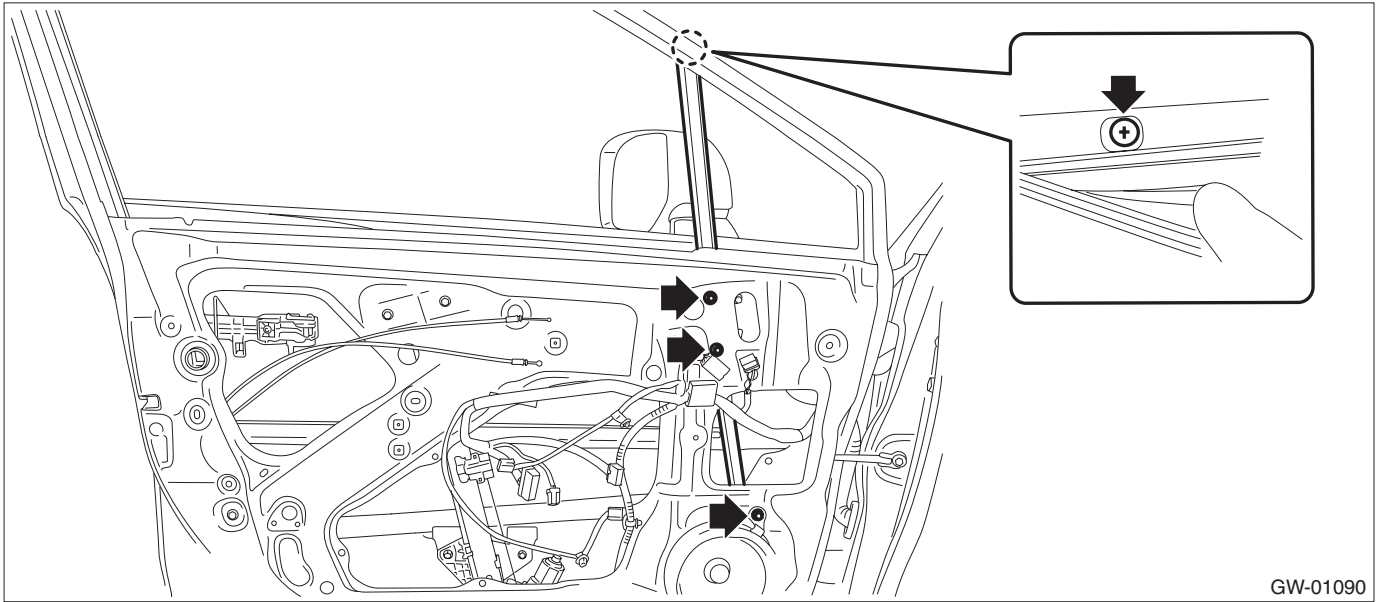


Front Door Glass

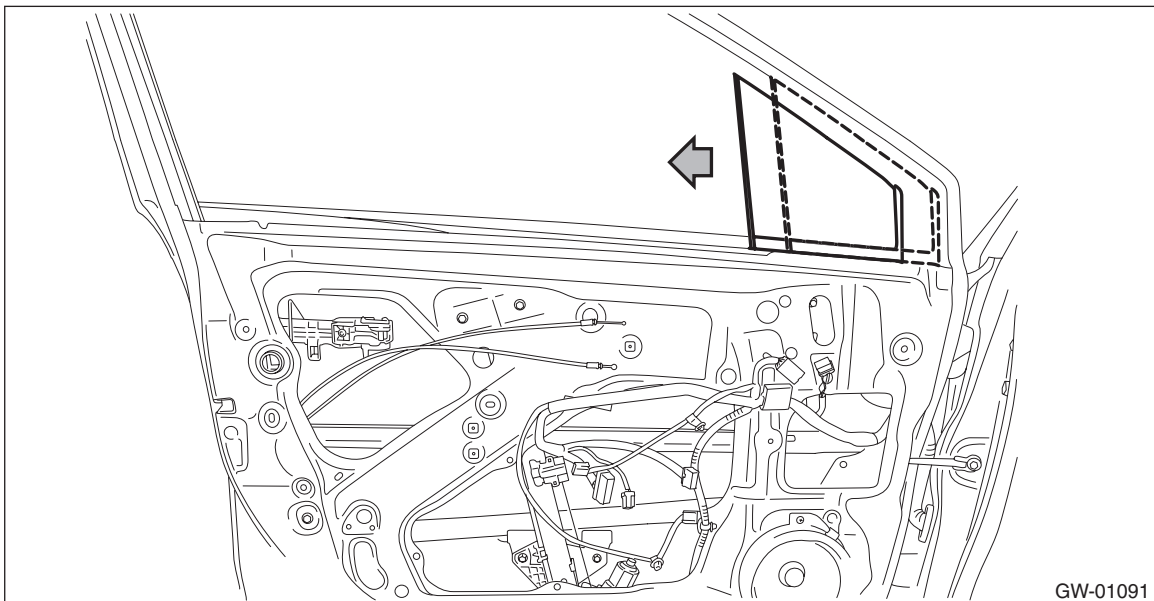
GLASS/WINDOWS/MIRRORS

6) Remove the glass - front door partition.

(1) Remove the bolts and screws, and then remove the sash COMPL - partition.



(2) Remove the glass - front door partition.



B: INSTALLATION

CAUTION:

Check that the running channel - front door is securely fixed to the panel assembly - front door and to the sash COMPL - partition.

Install each part in the reverse order of removal.

Tightening torque:

Refer to "COMPONENT" of "General Description". <Ref. to GW-2, FRONT DOOR GLASS, COMPONENT, General Description.>