

# Scalp Cap

GLASS/WINDOWS/MIRRORS

## 8. Scalp Cap

### A: REPLACEMENT

#### CAUTION:

- When removing the mirror - repair, be careful not to damage the back surface of mirror - repair with a flat tip screwdriver.

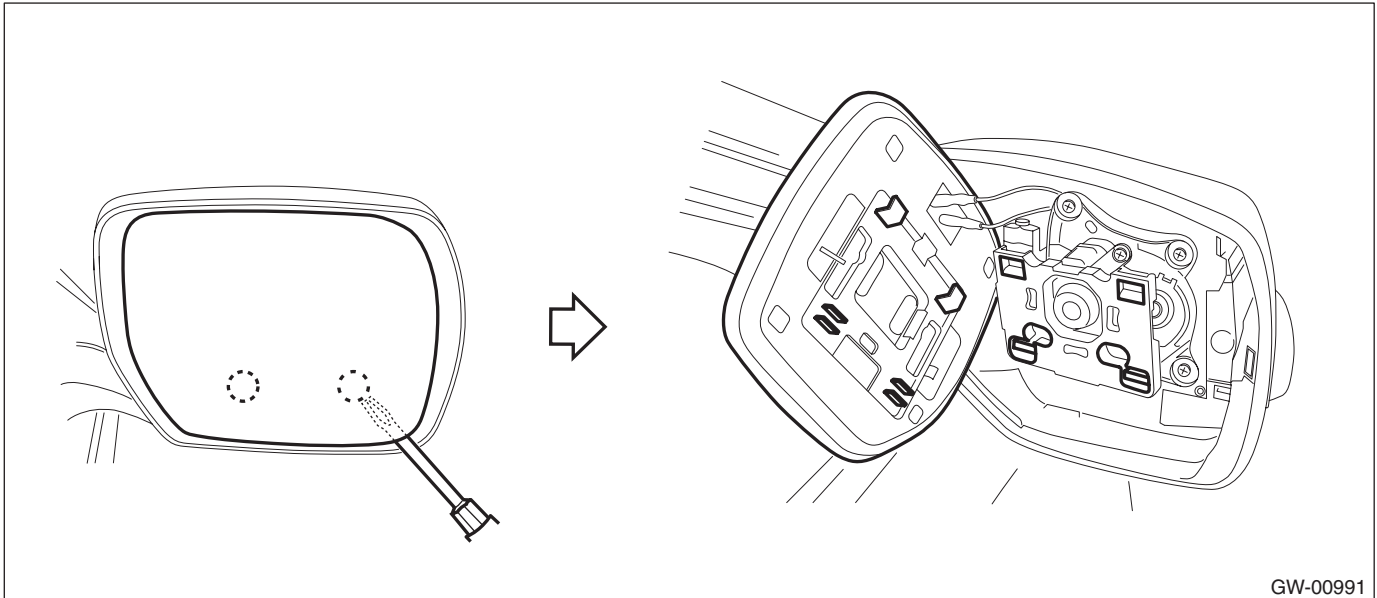
- When installing the mirror - repair, insert the connector and clip securely.

1) Operate the remote control mirror switch to face the mirror - repair upward.

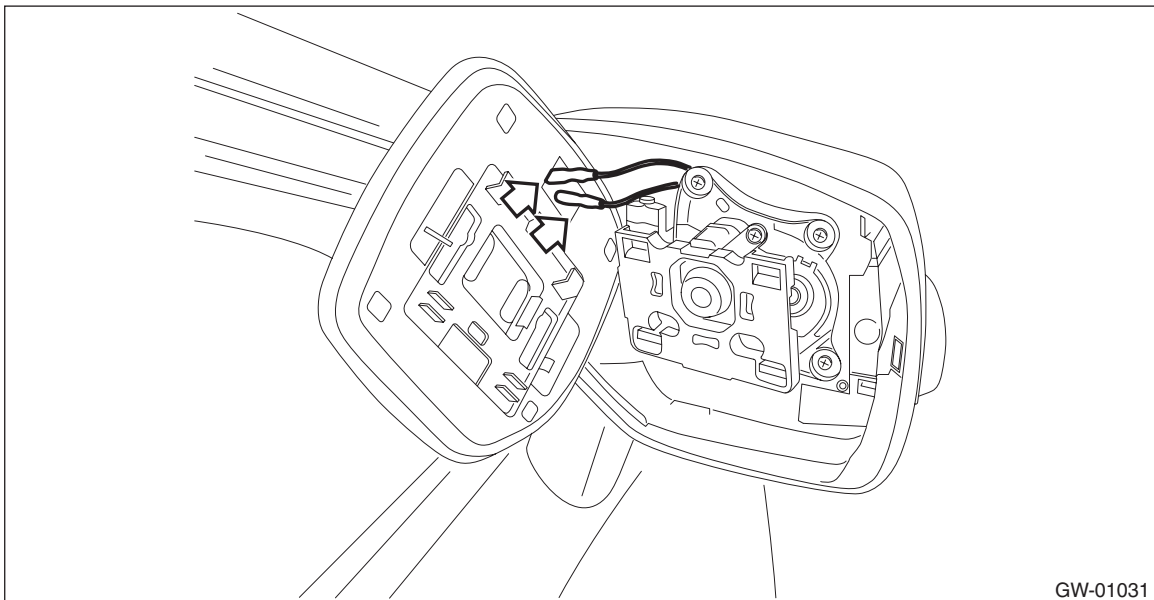
2) Disconnect the ground cable from battery.

3) Remove the mirror - repair.

(1) Using a flat tip screwdriver, release the clip, and slide the mirror - repair downward to remove.

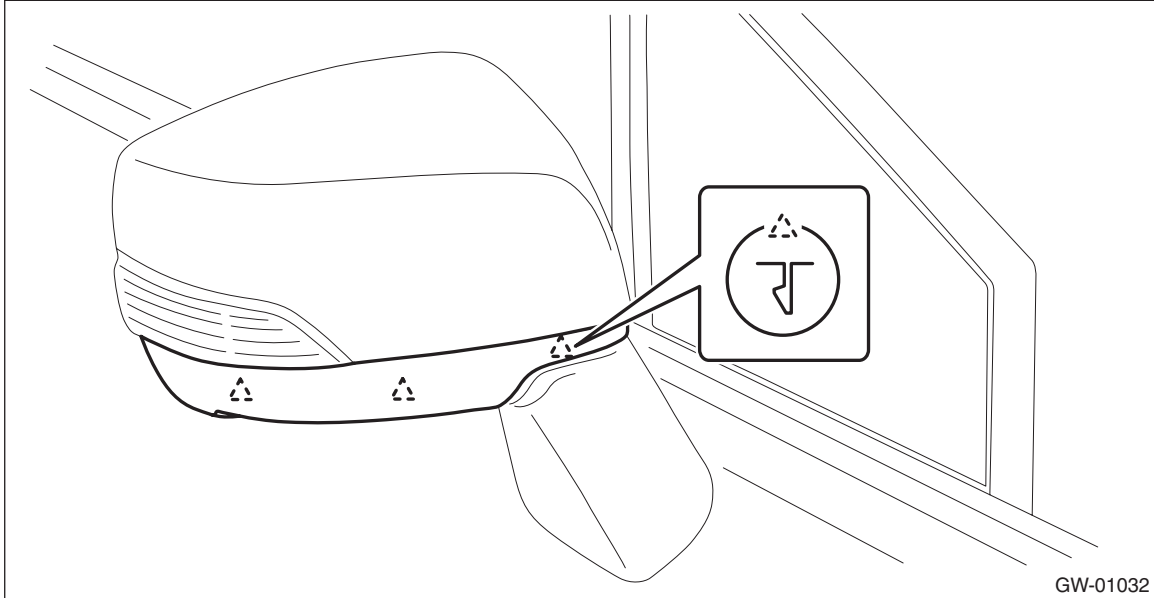


(2) Disconnect the mirror heater connector. (Model with mirror heater)



# Scalp Cap

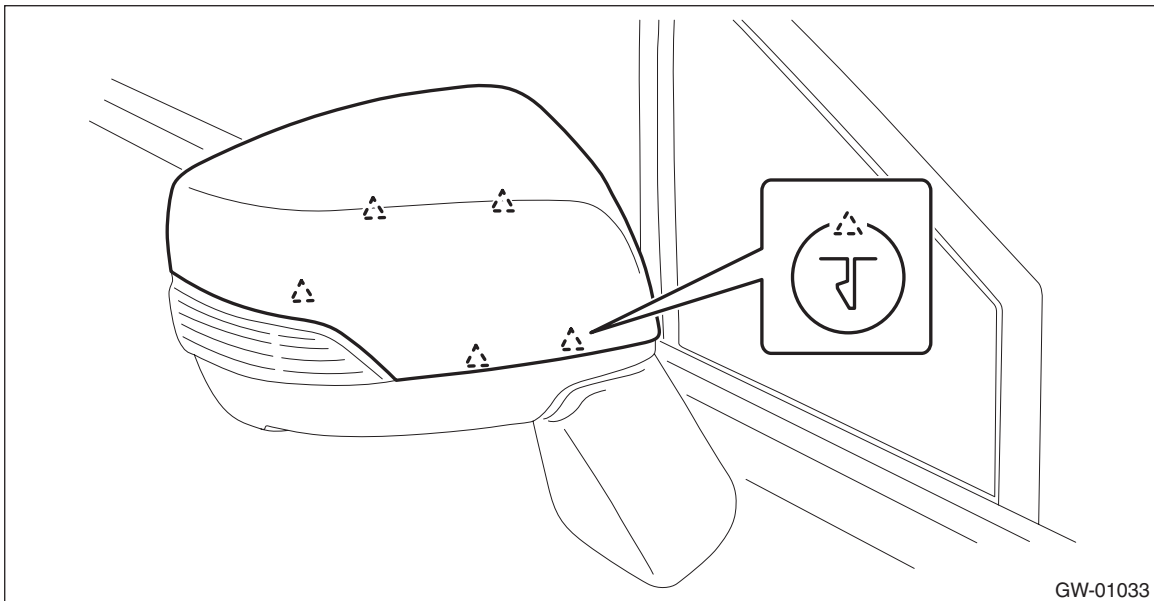
4) Release the claws, and then remove the cover - cap outer mirror lower.



5) Release the claws, and then remove the cover - cap outer mirror.

**CAUTION:**

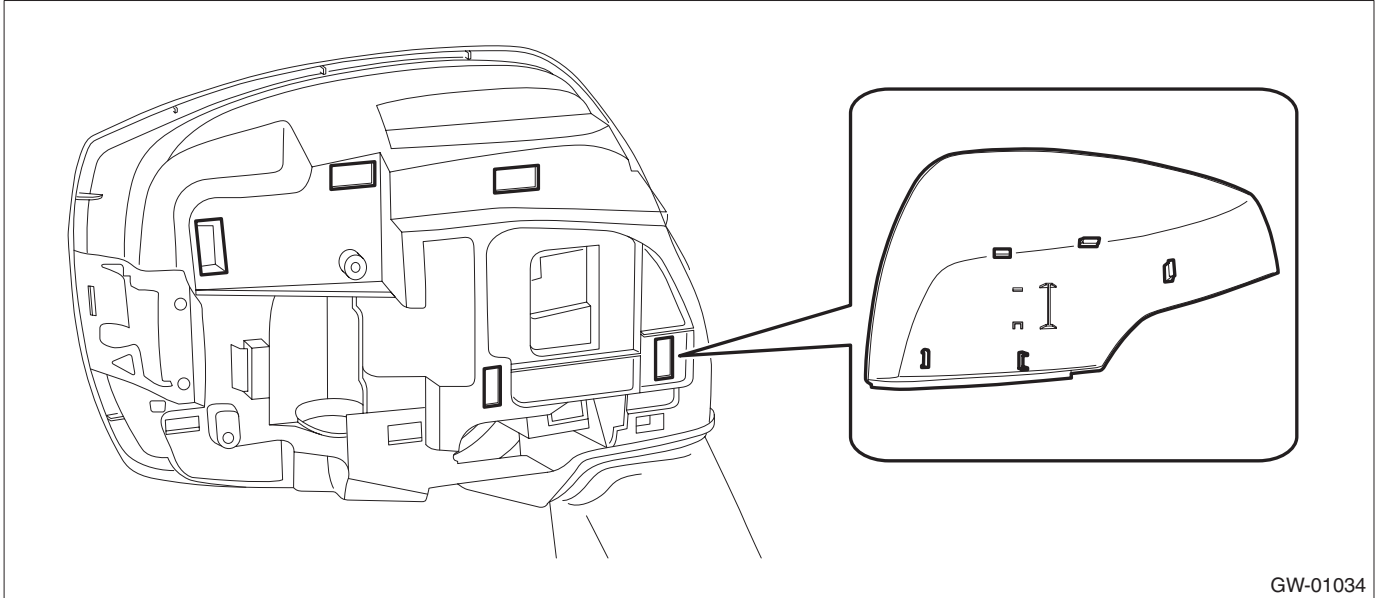
**Be careful not to apply excessive force when removing the cover - cap outer mirror, as the lower hooks may become damaged.**



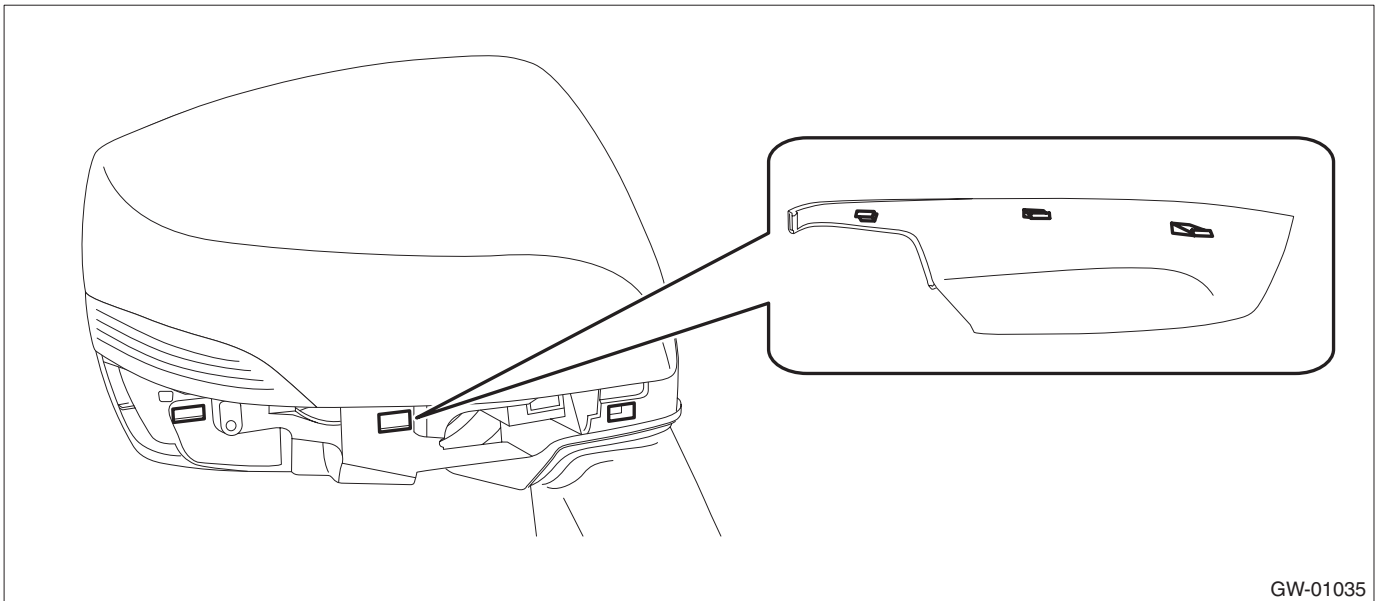
## Scalp Cap

### GLASS/WINDOWS/MIRRORS

6) Engage the claws into the hole and install the cover - cap outer mirror.



7) Engage the claws into the hole and install the cover - cap outer mirror lower.



8) Check that all the claws are securely engaged.

9) Install the mirror - repair in the reverse order of removal.

#### **CAUTION:**

**Be sure to insert the connector and clips securely.**