

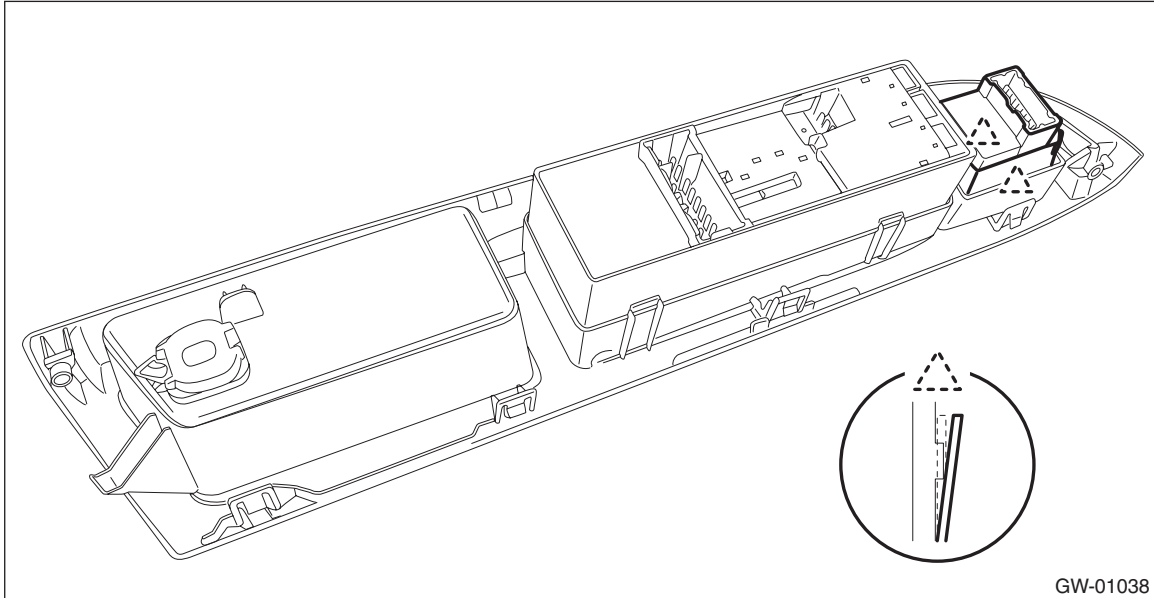
Remote Control Mirror Switch

GLASS/WINDOWS/MIRRORS

11. Remote Control Mirror Switch

A: REMOVAL

- 1) Remove the panel - power window main switch. <Ref. to GW-12, MAIN SWITCH, REMOVAL, Power Window Control Switch.>
- 2) Release the claws, and then remove the switch - door mirror.



GW-01038

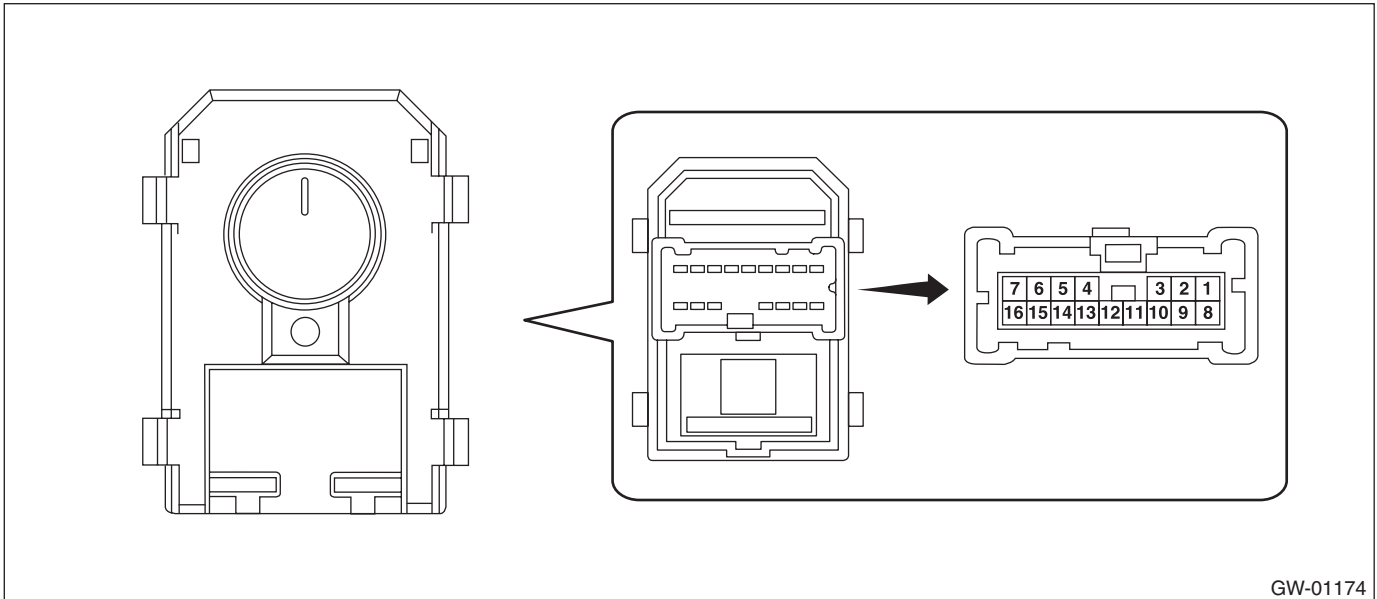
B: INSTALLATION

Install each part in the reverse order of removal.

C: INSPECTION

- 1) Disconnect the connector of the switch - door mirror.
- 2) Check the resistance between switch - door mirror terminals.

Preparation tool:
Circuit tester



• Changeover switch RH

Terminal No.	Inspection conditions	Standard
—	OFF	1 M Ω or more
1 — 12 9 — 7	UP	Less than 1 Ω
1 — 9 12 — 7	DOWN	Less than 1 Ω
1 — 11 12 — 7	LEFT	Less than 1 Ω
1 — 12 11 — 7	RIGHT	Less than 1 Ω

• Changeover switch LH

Terminal No.	Inspection conditions	Standard
—	OFF	1 M Ω or more
1 — 14 8 — 7	UP	Less than 1 Ω
1 — 8 14 — 7	DOWN	Less than 1 Ω
1 — 10 14 — 7	LEFT	Less than 1 Ω
1 — 14 10 — 7	RIGHT	Less than 1 Ω

- 3) If the inspection result is not within the standard, replace the switch - door mirror.