

17.Rear Gate Glass

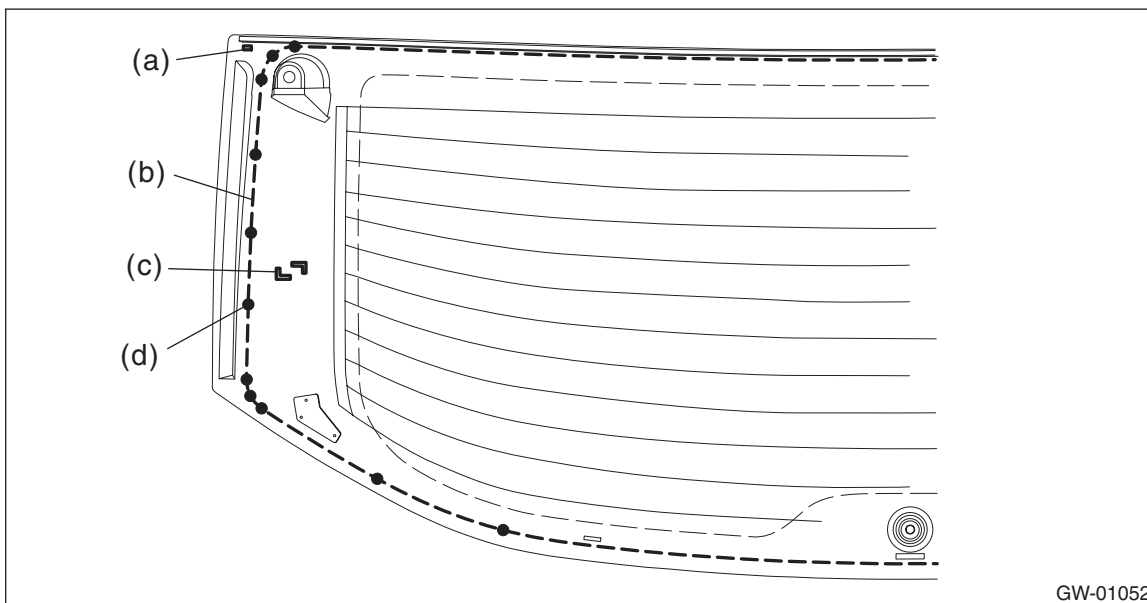
A: REMOVAL

- 1) Disconnect the ground cable from battery.
- 2) Remove the trim panel - rear gate and the motor assembly - rear wiper. <Ref. to WW-40, REMOVAL, Rear Wiper Motor.>
- 3) Disconnect the rear defogger connector.
- 4) Remove the glass - rear gate in the same procedure as for the glass - front window. <Ref. to GW-38, REMOVAL, Windshield Glass.>

B: INSTALLATION

NOTE:

Use the markings on the glass to apply adhesive and primer, and to install the dam rubber - rear gate and the spacer - rear gate.

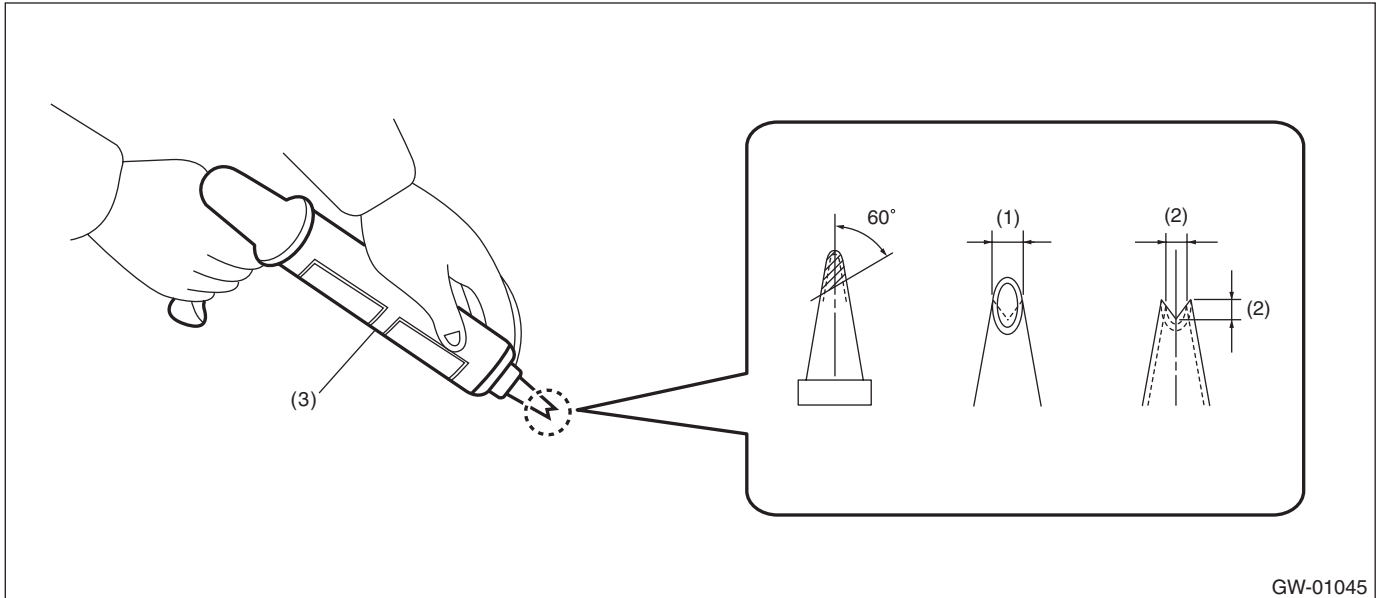


- | | | |
|---|---|------------------------------------|
| (a) Marking for dam rubber - rear gate application (Ag print) | (c) Marking for spacer - rear gate application (Ag print) | (d) Marking for primer application |
| (b) Center line for adhesive | | |

Rear Gate Glass

GLASS/WINDOWS/MIRRORS

1) Fabricate the cartridge nozzle tip as shown and set the sealant gun with the adhesive.



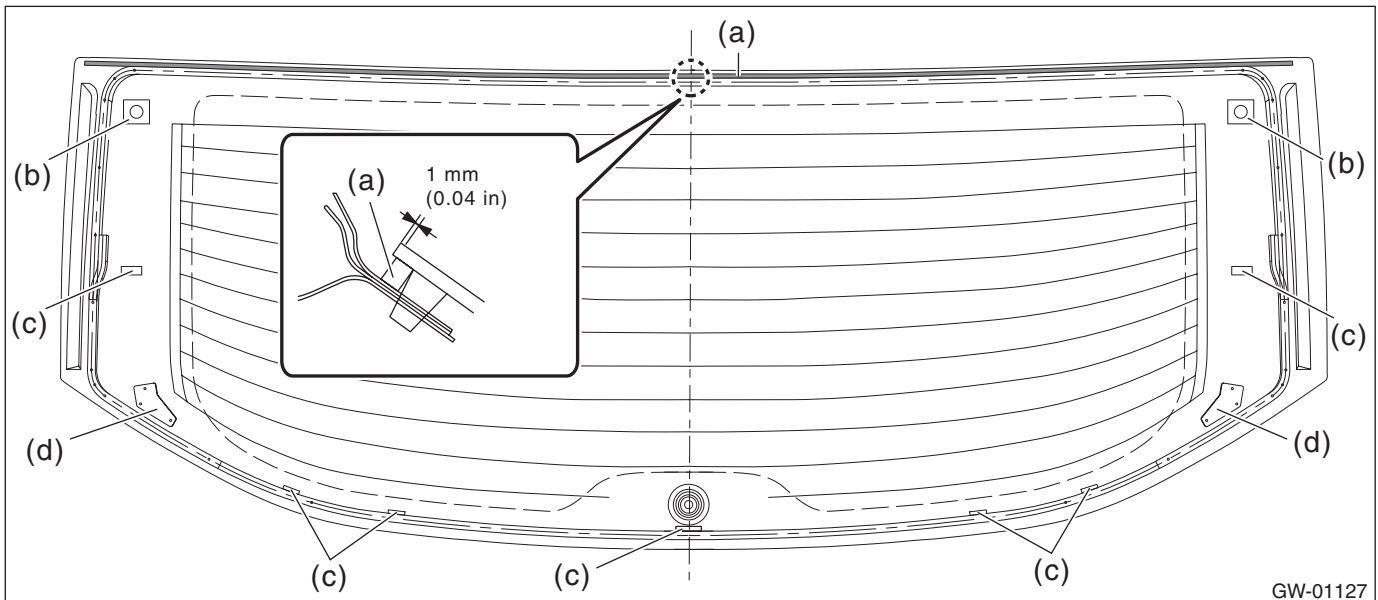
(1) 10 mm (0.39 in)

(2) 8 mm (0.31 in)

(3) Sealant gun

2) Smoothen and clean the adhesive surfaces of the glass - rear gate and body using the same procedures as for the glass - front window. <Ref. to GW-42, INSTALLATION, Windshield Glass.>

3) Attach the dam rubber - rear gate to the glass - rear gate.



(a) Dam rubber - rear gate

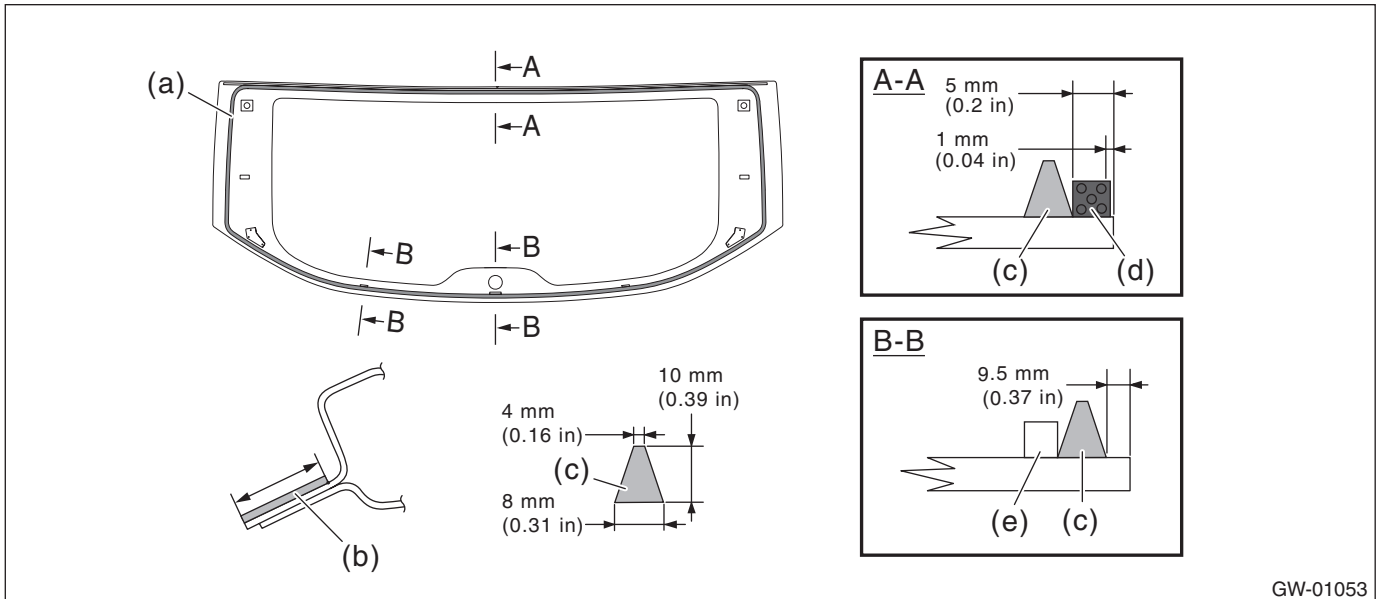
(c) Spacer - rear gate

(d) Locating pin - rear gate

(b) Holder - rear gate

4) Install the glass - rear gate.

- (1) Apply the primer to the adhesive surface of glass - rear gate side and body side using sponge.
- (2) Apply adhesive to the glass - rear gate end back surface.



GW-01053

- | | | |
|--|----------------------------|------------------------|
| (a) Application of primer (glass side) | (c) Adhesive | (e) Spacer - rear gate |
| (b) Application of primer (body side) | (d) Dam rubber - rear gate | |

- (3) Attach the clip to the holder - rear gate of the glass - rear gate.
- (4) Insert the locating pins - rear gate into the rear gate panel holes, and install the glass - rear gate.
- (5) Lightly press the entire perimeter of the glass - rear gate for tight fit.
- (6) Make flush the adhesive surface juttred out using spatula.

5) After completion of all work, allow the vehicle to stand for about 24 hours.

NOTE:

- When opening/closing the door after the glass - rear gate was bonded, always lower the glass assembly - door first, and then open/close it carefully.
- Move the vehicle slowly.
- For minimum drying time and vehicle standing time before driving after bonding, follow instructions or instruction manual from the adhesive manufacturer.

6) Connect the rear defogger connector.

7) Install the motor assembly - rear wiper and the arm assembly - rear wiper.

Tightening torque:

Motor assembly - rear wiper and arm assembly - rear wiper: <Ref. to WW-3, REAR WIPER, COMPONENT, General Description.>

8) Install the trim panel - rear gate. <Ref. to EI-148, INSTALLATION, Rear Gate Trim.>

9) After curing of adhesive, pour the water on external surface of vehicle to check that there are no water leaks.

NOTE:

When a vehicle is returned to the user, tell him or her that the vehicle should not be subjected to heavy impact for at least three days.