

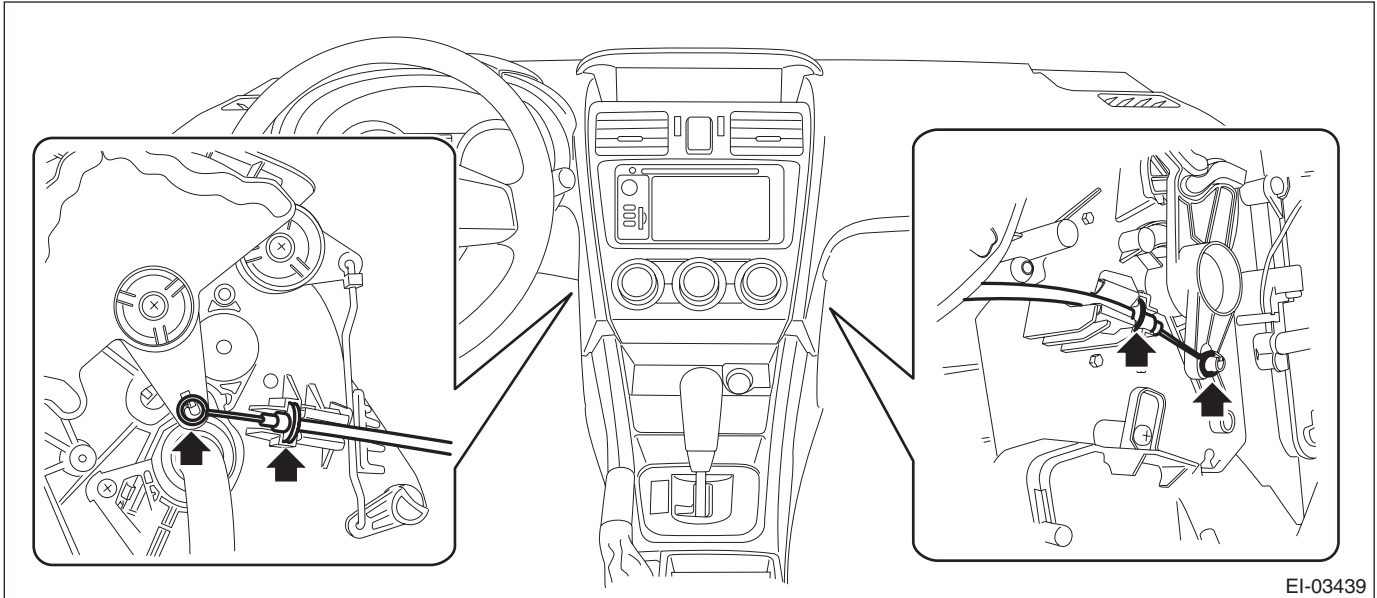
Multi-function Display (MFD)

INSTRUMENTATION/DRIVER INFO

10. Multi-function Display (MFD)

A: REMOVAL

- 1) Disconnect the ground cable from battery.
- 2) On manual A/C models, disconnect the control cables from both sides of the heater and cooling unit assembly.



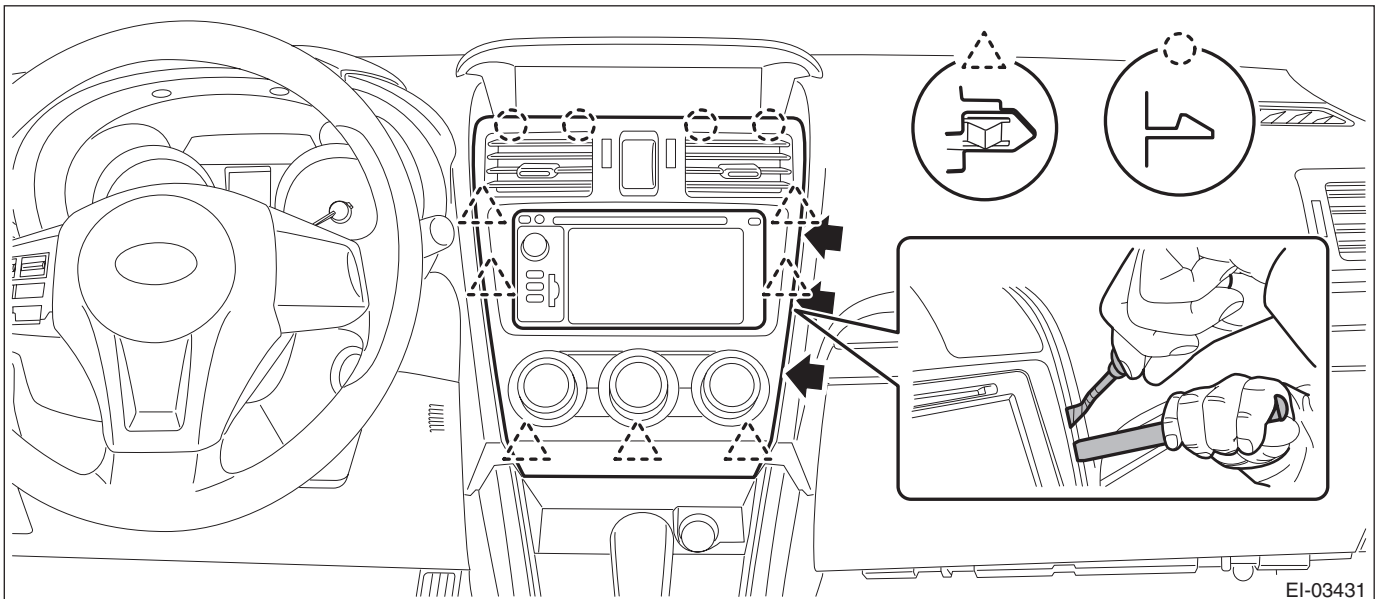
NOTE:

Remove the glove box pocket assembly on the passenger's side.

- 3) Remove the panel center assembly.

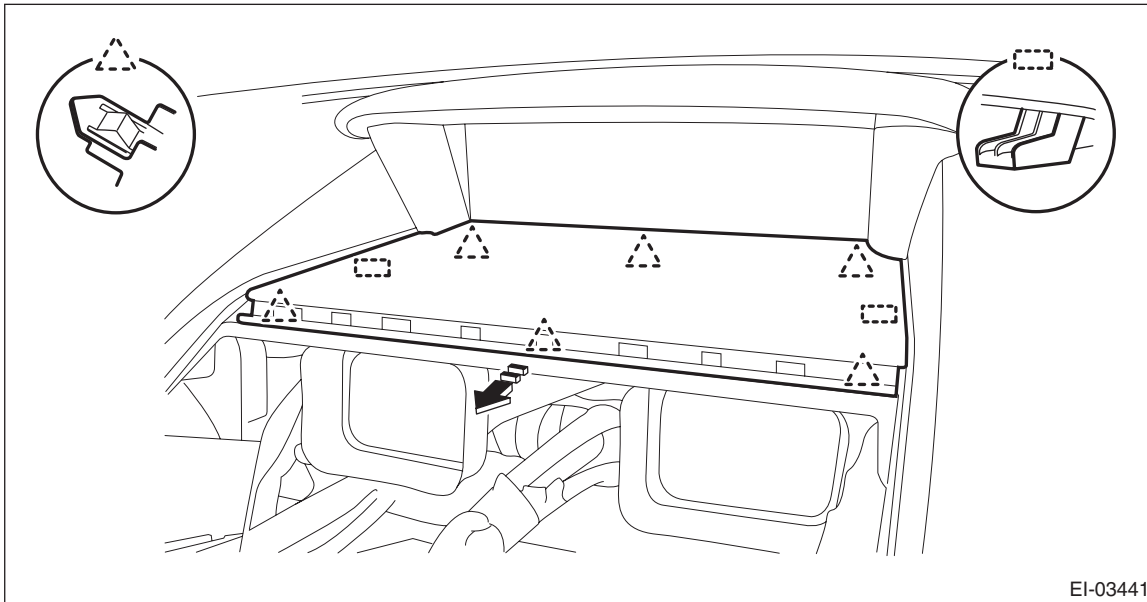
CAUTION:

- Do not put your finger on the fin of the air vent grille. Doing so may damage the fin.
 - Pull the panel center assembly slowly. Pulling with excessive force may damage the connector.
- (1) Insert a plastic remover to the three areas shown by the arrows, and lift up the panel center assembly slightly.
 - (2) With the panel center assembly lifted up slightly, release the claw by using a clip remover wrapped with protective tape.
 - (3) Release the rest of the claws, and pull out the panel center assembly.
 - (4) Disconnect the connectors, and remove the panel center assembly.



Multi-function Display (MFD)

4) Release the claw and hook, and then remove the cover center UPR.



NOTE:

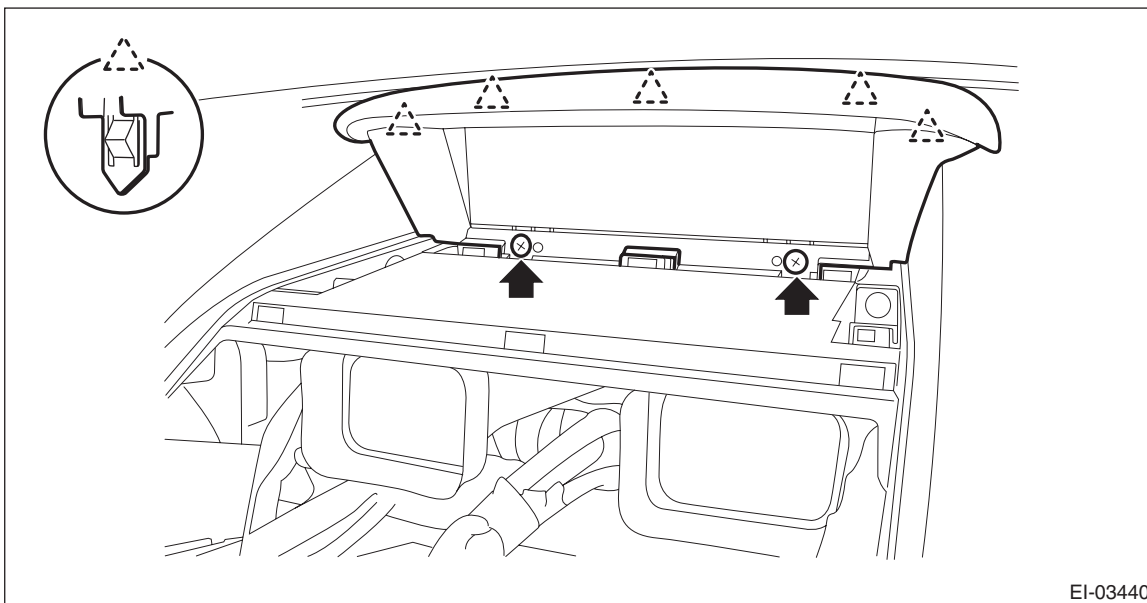
Lightly push up the back of the cover center UPR, hook the finger to the end portion and pull it toward you to remove it.

5) Remove the multi-function display.

CAUTION:

Be careful not to damage the multi-function display or instrument panel.

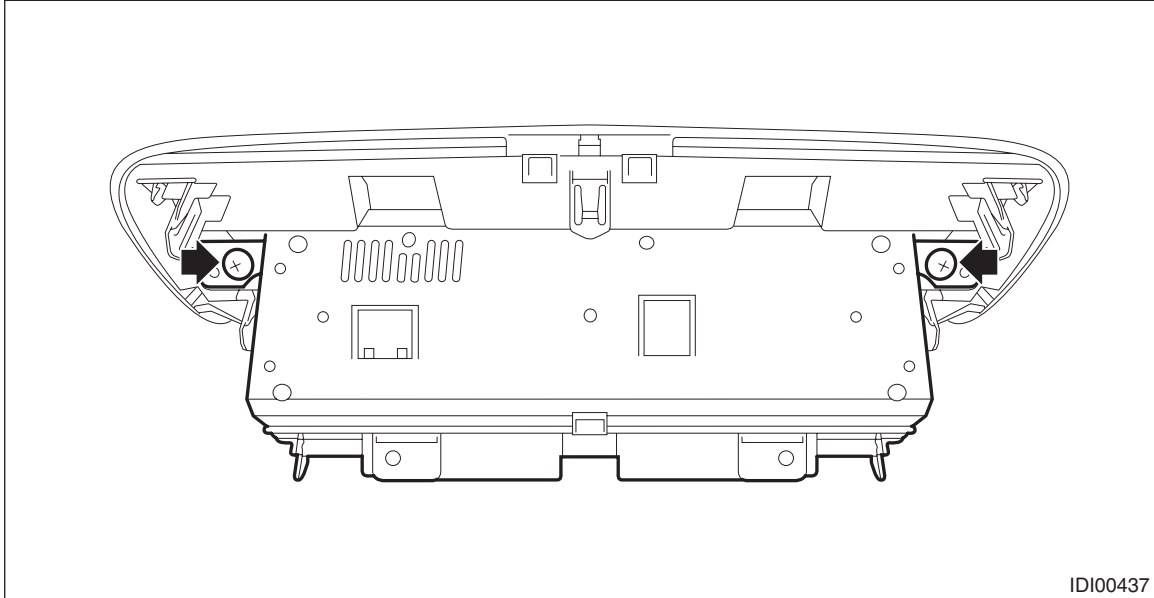
- (1) Release the screws and claws.
- (2) Pull the multi-function display assembly toward you, and disconnect the connector.



Multi-function Display (MFD)

INSTRUMENTATION/DRIVER INFO

(3) Remove the screw, and remove the multi-function display from the panel - display.



B: INSTALLATION

CAUTION:

- Make sure the electrical connector is connected securely.
- Make sure that the multi-function display operates normally.
- After installing the panel center assembly, check that the air vent grille of the panel center assembly is inserted correctly into the air vent duct.

Install each part in the reverse order of removal.