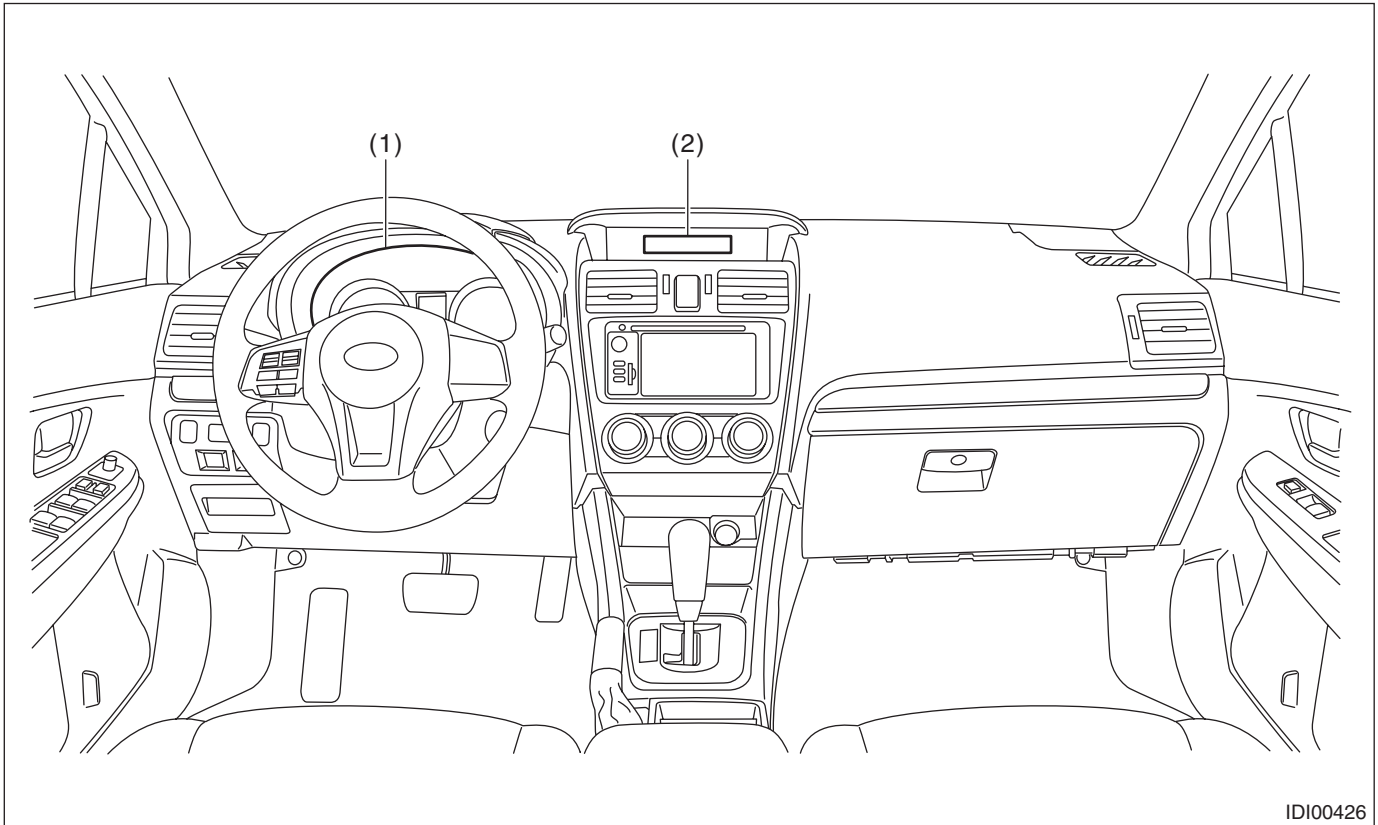


Electrical Component Location

INSTRUMENTATION/DRIVER INFO (DIAGNOSTICS)

4. Electrical Component Location

A: LOCATION



IDI00426

(1) Combination meter

(2) MFD