

# General Description

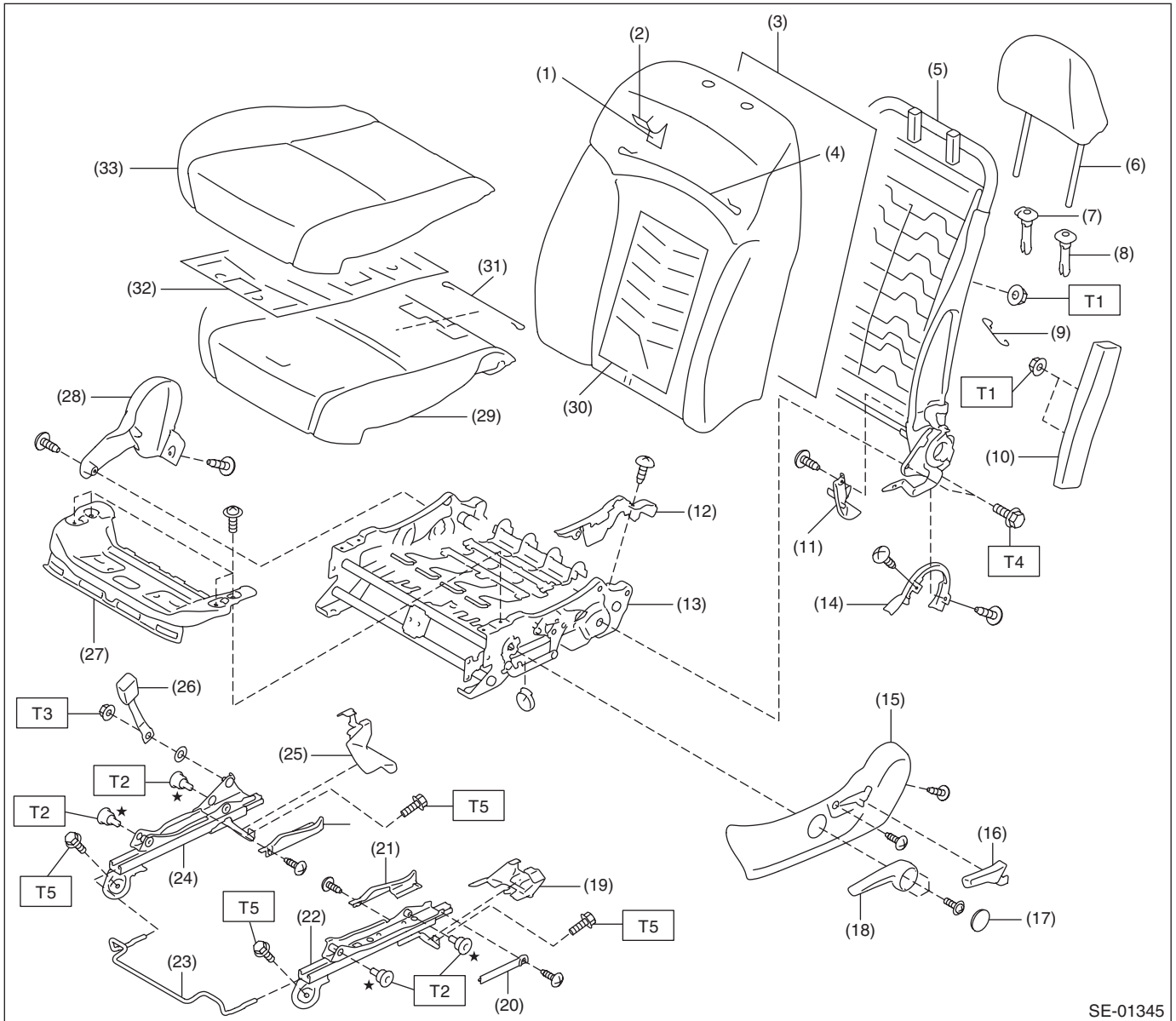
SEATS

## 1. General Description

### A: COMPONENT

#### 1. FRONT SEAT

- Manual seat LH



# General Description

SEATS

---

(1) Pad ASSY - front seat backrest	(15) Cover - hinge front seat OUT	(29) Pad ASSY - front seat cushion
(2) Cover COMPL - front backrest	(16) Lever - reclining	(30) Heater unit - front seat backrest
(3) Cover - silencer front seat backrest	(17) Cap - lifter lever	(31) Wire set - front seat cushion
(4) Wire set - front seat backrest	(18) Knob - lifter	(32) Heater unit - front seat cushion
(5) Frame ASSY - front backrest	(19) Cover - bolt rear OUT	(33) Cover - front cushion
(6) Headrest ASSY - front	(20) Cover - slide rail OUT	
(7) Bushing - lock headrest	(21) Cover - slide rail OUT	
(8) Bushing - free headrest	(22) Slide rail ASSY - OUT	
(9) Hook - backrest front	(23) Lever - towel bar	
(10) Side airbag module LH	(24) Slide rail ASSY - INN	
(11) Cover - inner front	(25) Cover - bolt rear INN	
(12) Cover - frame front cushion	(26) Seat belt inner - front	
(13) Frame ASSY - front cushion	(27) Panel - front seat	
(14) Cover - hinge base front seat	(28) Cover - hinge front seat INN	

---

**Tightening torque: N·m (kgf·m, ft·lb)**

**T1: 6 (0.61, 4.4)**

**T2: 15 (1.53, 11.1)**

**T3: 38 (3.87, 28.0)**

**T4: 52 (5.30, 38.4)**

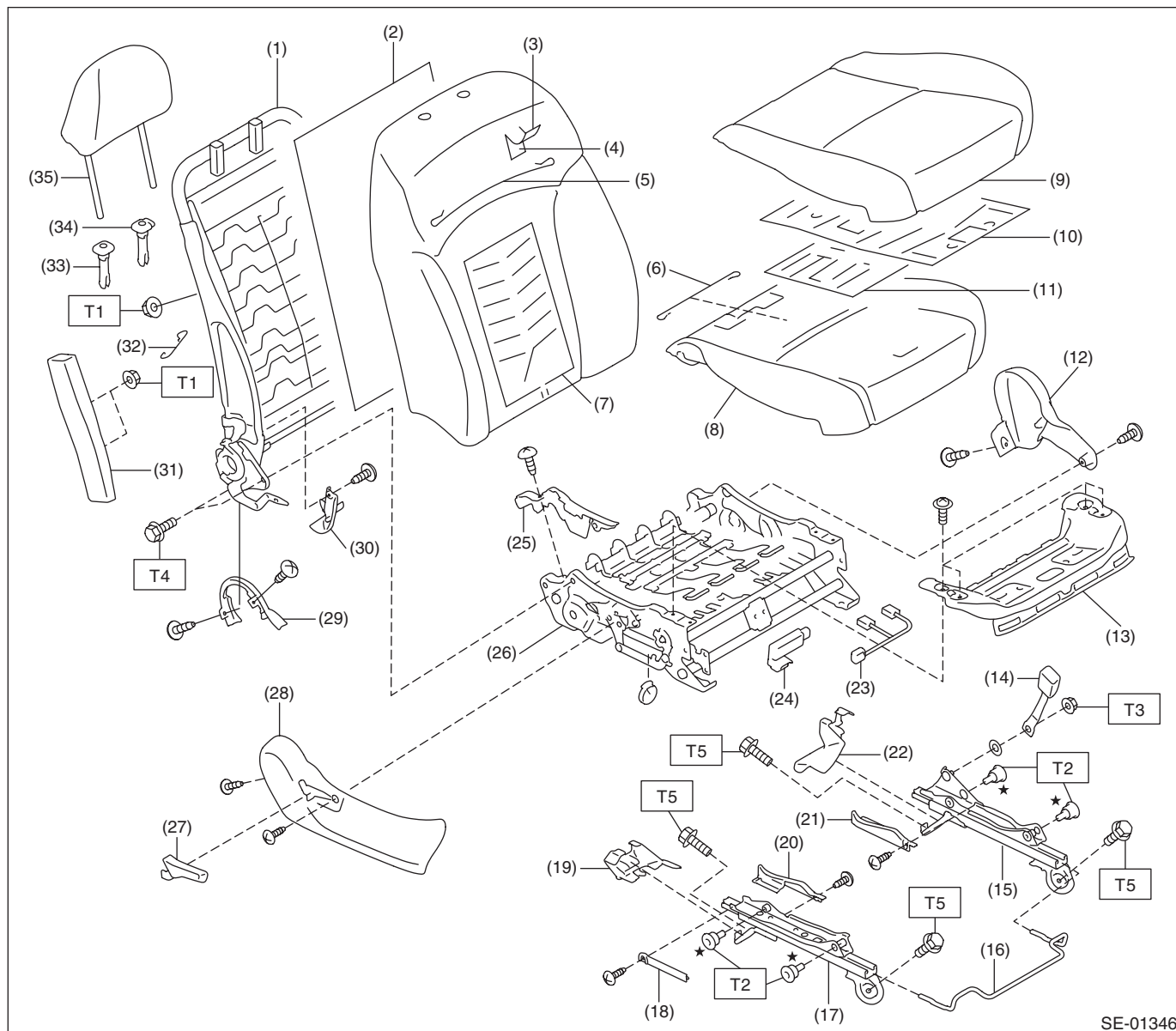
**T5: 53 (5.40, 39.1)**

---

# General Description

## SEATS

### • Manual seat RH



SE-01346

(1) Frame ASSY - front backrest	(15) Slide rail ASSY - INN	(28) Cover - hinge front seat OUT
(2) Cover - silencer front seat backrest	(16) Lever - towel bar	(29) Cover - hinge base front seat
(3) Cover COMPL - front backrest	(17) Slide rail ASSY - OUT	(30) Cover - inner front
(4) Pad ASSY - front seat backrest	(18) Cover - slide rail OUT	(31) Side airbag module RH
(5) Wire set - front seat backrest	(19) Cover - bolt rear OUT	(32) Hook - backrest front
(6) Wire set - front seat cushion	(20) Cover - slide rail OUT	(33) Bushing - lock headrest
(7) Heater unit - front seat backrest	(21) Cover - slide rail INN	(34) Bushing - free headrest
(8) Pad ASSY - front seat cushion	(22) Cover - bolt rear INN	(35) Headrest ASSY - front
(9) Cover - front cushion	(23) Harness - occupant detection sensor	
(10) Heater unit - front cushion	(24) Control unit - occupant detection sensor	
(11) Occupant detection sensor	(25) Cover - frame front seat cushion	
(12) Cover - hinge front seat INN	(26) Frame ASSY - front seat cushion	
(13) Panel - front seat	(27) Lever - reclining	
(14) Seat belt inner - front		

#### **Tightening torque: N-m (kgf-m, ft-lb)**

**T1: 6 (0.61, 4.4)**

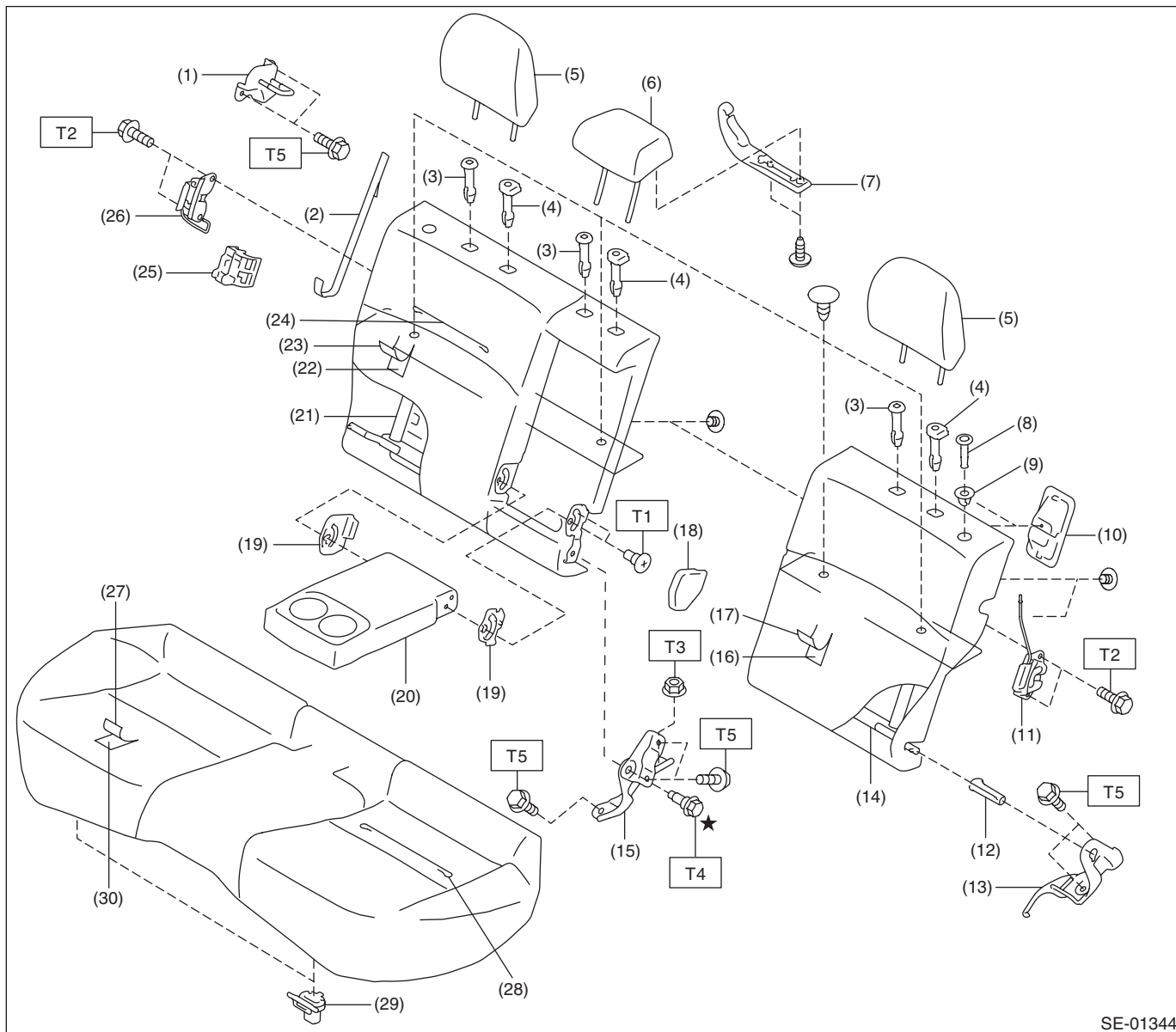
**T2: 15 (1.53, 11.1)**

**T3: 38 (3.87, 28.0)**

**T4: 52 (5.30, 38.4)**

**T5: 53 (5.40, 39.1)**

## 2. REAR SEAT



- |  |  |  |
|--|--|--|
| (1) Striker - backrest rear RH                     | (14) Frame ASSY - rear backrest LH     | (27) Cover - rear cushion              |
| (2) Knob - strap (4 door model)                    | (15) Hinge ASSY - backrest center      | (28) Wire set - rear cushion           |
| (3) Bushing - headrest                             | (16) Pad ASSY - rear seat backrest LH  | (29) Hook - seat cushion rear          |
| (4) Bushing - lock ASSY                            | (17) Cover COMPL - rear backrest LH    | (30) Pad and frame ASSY - rear cushion |
| (5) Headrest ASSY - rear backrest                  | (18) Cover - armrest                   |  |
| (6) Headrest ASSY - rear center                    | (19) Bushing - rear armrest            |  |
| (7) Belt guide - rear seat (5 door model/XV model) | (20) Armrest ASSY - rear center        |  |
| (8) Knob - backrest rear                           | (21) Frame ASSY - rear backrest RH     |  |
| (9) Knob - guide                                   | (22) Pad ASSY - rear seat backrest RH  |  |
| (10) Tether anchor cover                           | (23) Cover COMPL - rear backrest RH    |  |
| (11) Lock ASSY - backrest rear LH                  | (24) Wire set - rear backrest          |  |
| (12) Bushing - backrest hinge                      | (25) Knob - strap guide (4 door model) |  |
| (13) Hinge ASSY - rear backrest                    | (26) Lock ASSY - backrest rear RH      |  |

**Tightening torque: N·m (kgf·m, ft·lb)**

**T1: 14.7 (1.5, 10.8)**

**T2: 22.5 (2.3, 16.6)**

**T3: 24.5 (2.5, 18.1)**

**T4: 28.9 (2.9, 21.3)**

**T5: 33 (3.4, 24.3)**

# General Description

SEATS

---

## **B: CAUTION**

When removing the front seat from the vehicle, refer to “CAUTION” of “General Description” in “AIRBAG SYSTEM” section. <Ref. to AB-11, CAUTION, General Description.>

## **C: PREPARATION TOOL**

### **1. GENERAL TOOL**

TOOL NAME	REMARKS
Long nose plier	Used for removing the hog ring.
Hog ring pliers	Used for installing the hog ring.
Circuit tester	Used for measuring resistance and voltage.