

# Fuel Filter

FUEL INJECTION (FUEL SYSTEMS)

---

## 30.Fuel Filter

### A: REMOVAL

#### WARNING:

Place “NO OPEN FLAMES” signs near the working area.

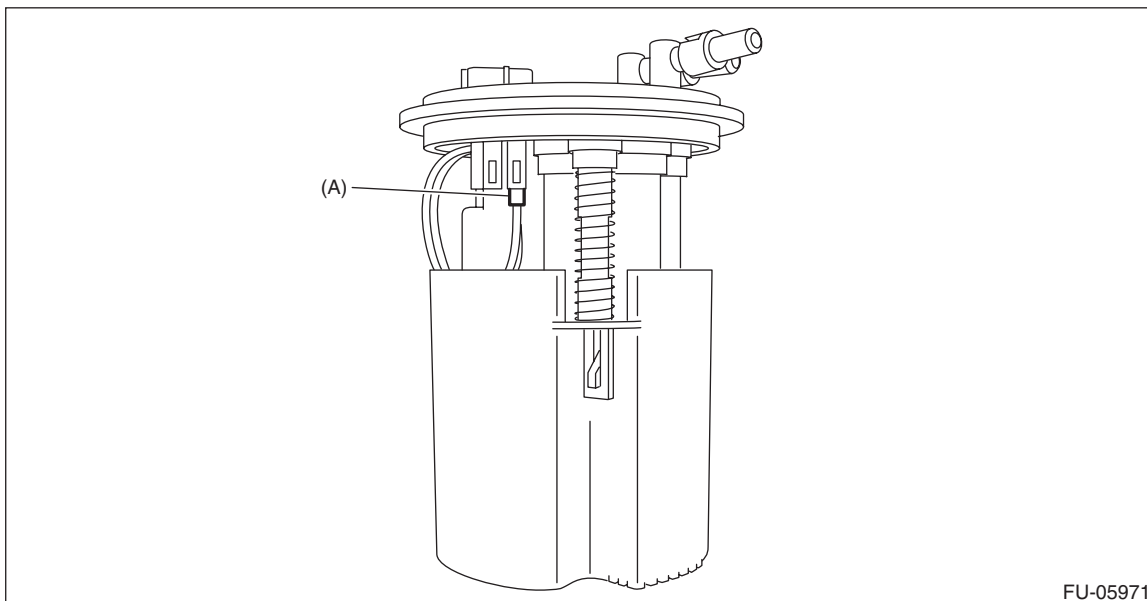
#### CAUTION:

- Be careful not to spill fuel.
- If the fuel gauge indicates that two thirds or more of the fuel is remaining, be sure to drain fuel before starting work to avoid the fuel to spill.
- Be careful not to drop or apply any impact to the fuel pump during work. This may deteriorate its performance.

#### NOTE:

The fuel filter is built in fuel pump assembly.

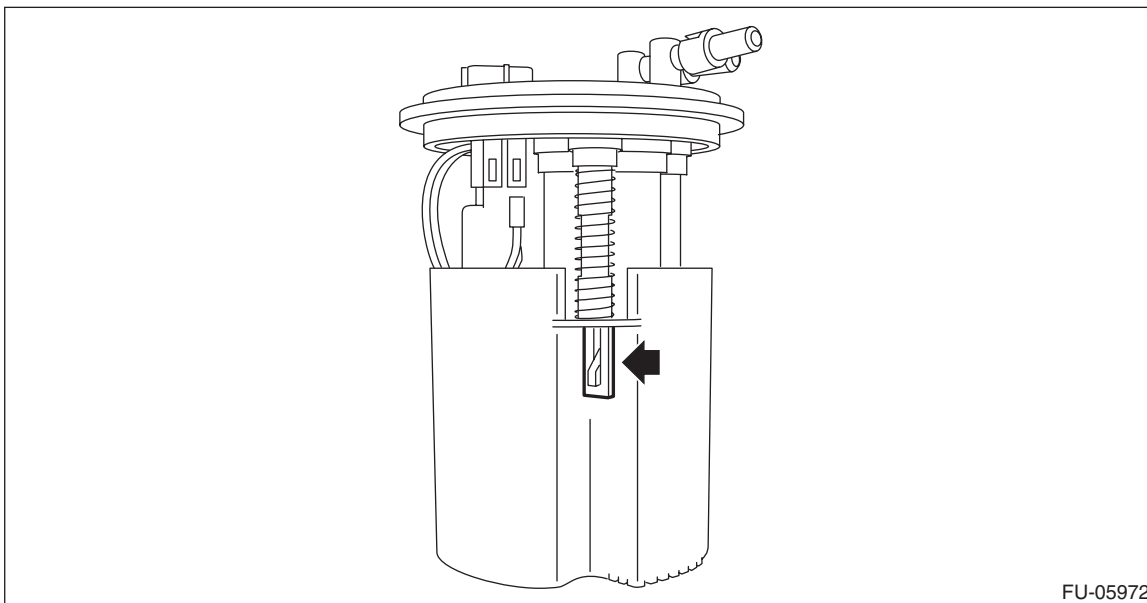
- 1) Remove the fuel pump assembly. <Ref. to FU(H4DO)-148, REMOVAL, Fuel Pump.>
- 2) Remove the fuel level sensor. <Ref. to FU(H4DO)-153, REMOVAL, Fuel Level Sensor.>
- 3) Disconnect the fuel pump connector (A).



# Fuel Filter

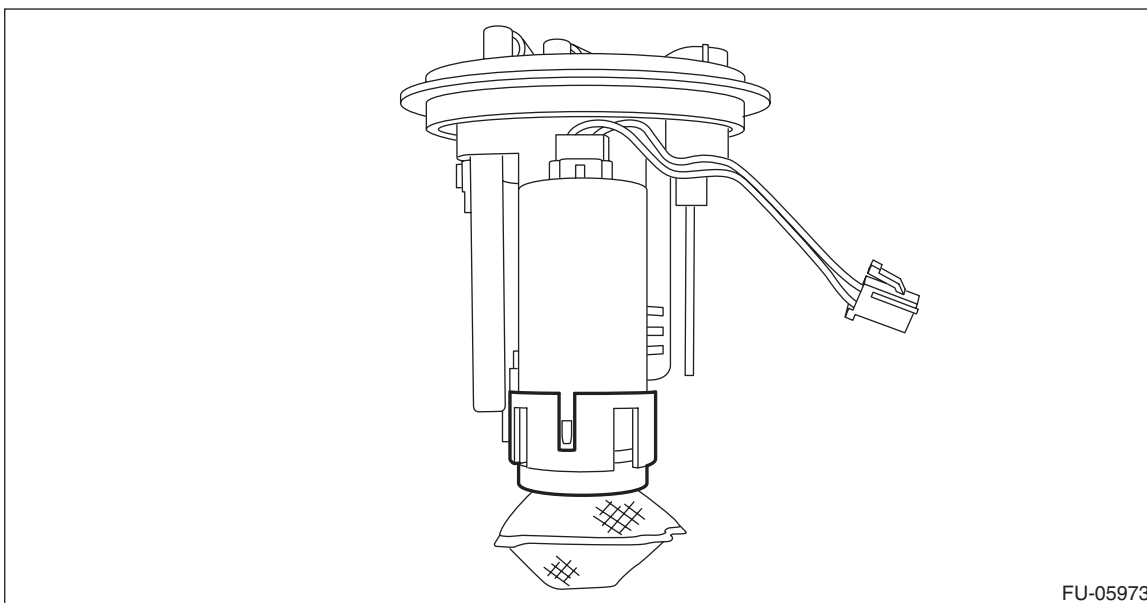
FUEL INJECTION (FUEL SYSTEMS)

- 4) Remove the claw connecting the fuel filter assembly and fuel chamber assembly in order to separate the fuel filter assembly and fuel chamber assembly.



FU-05972

- 5) Remove the fuel pump holder from the fuel filter assembly.

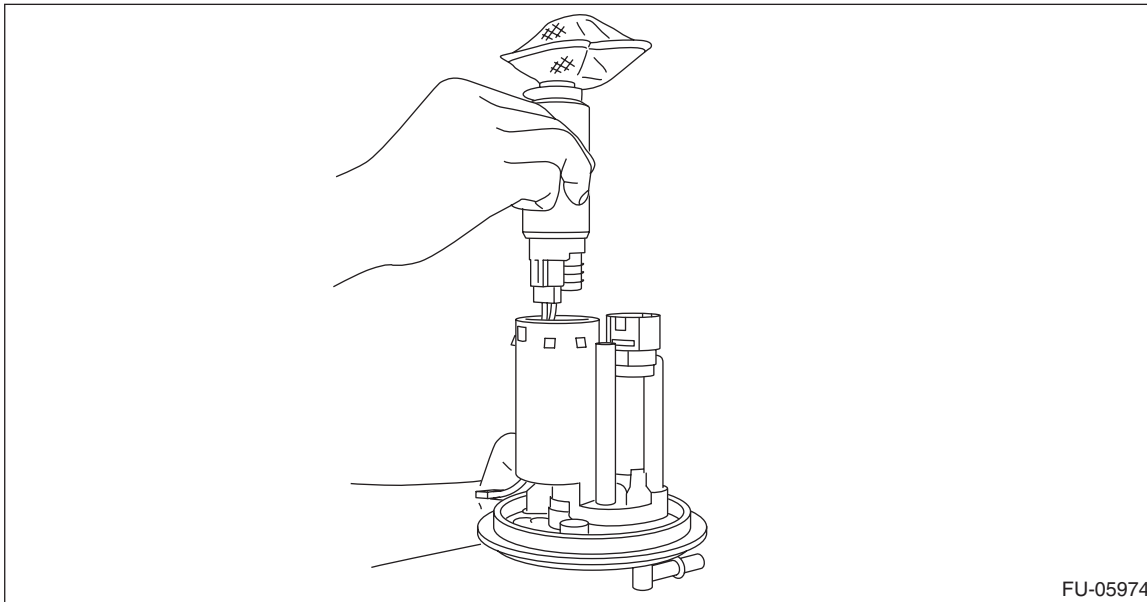


FU-05973

# Fuel Filter

## FUEL INJECTION (FUEL SYSTEMS)

6) Remove the fuel pump from the fuel filter assembly.

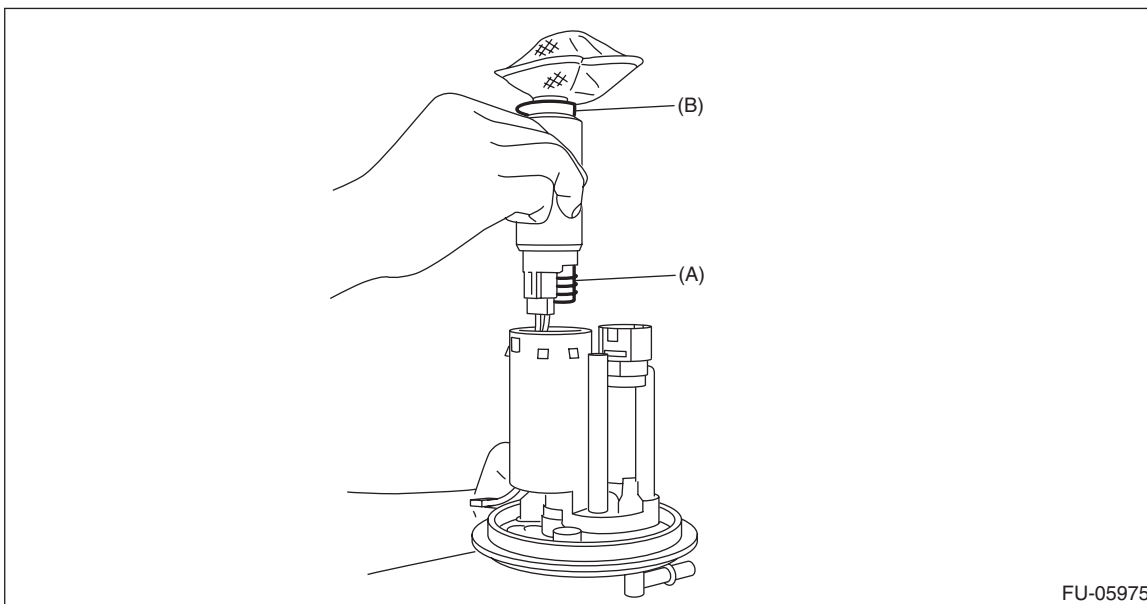


## B: INSTALLATION

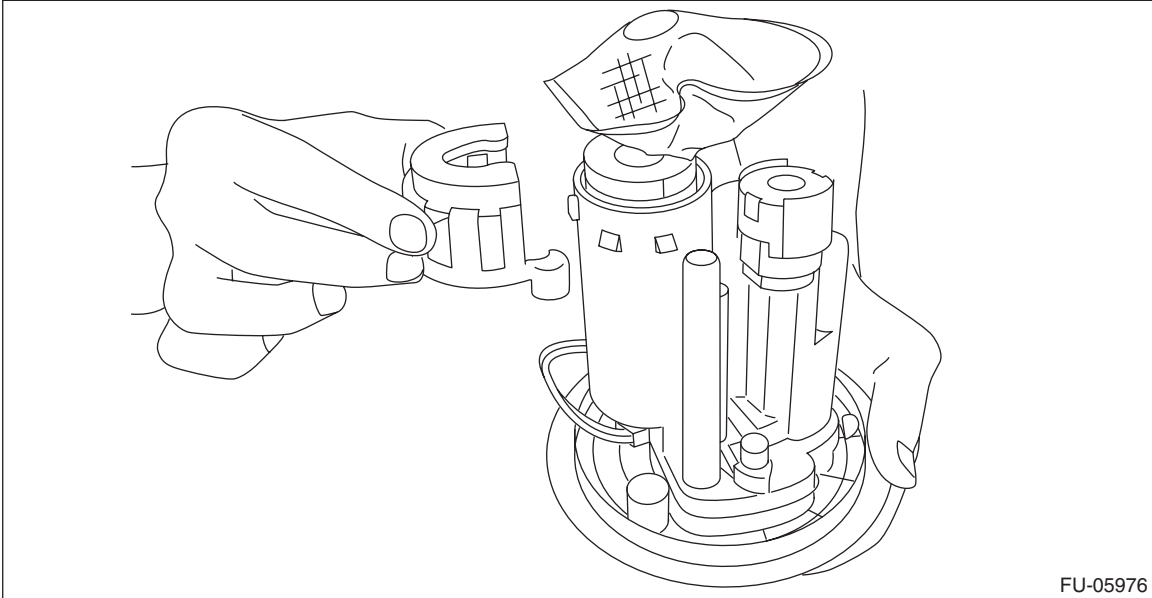
1) Assemble the packing spacer (A) and support rubber cushion (B) to the fuel pump, and install the fuel pump to the fuel filter assembly.

### NOTE:

- Use a new packing spacer.
- Use a new support rubber cushion.
- Apply gasoline to the surface of packing spacer and support rubber cushion.



2) Install the fuel pump holder to the fuel filter assembly.



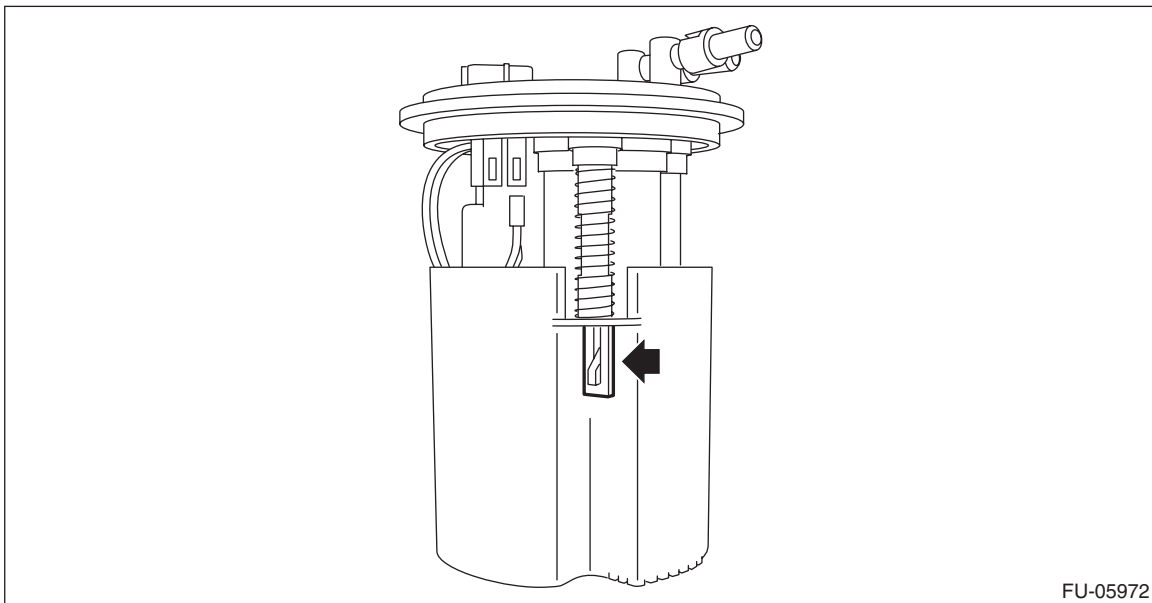
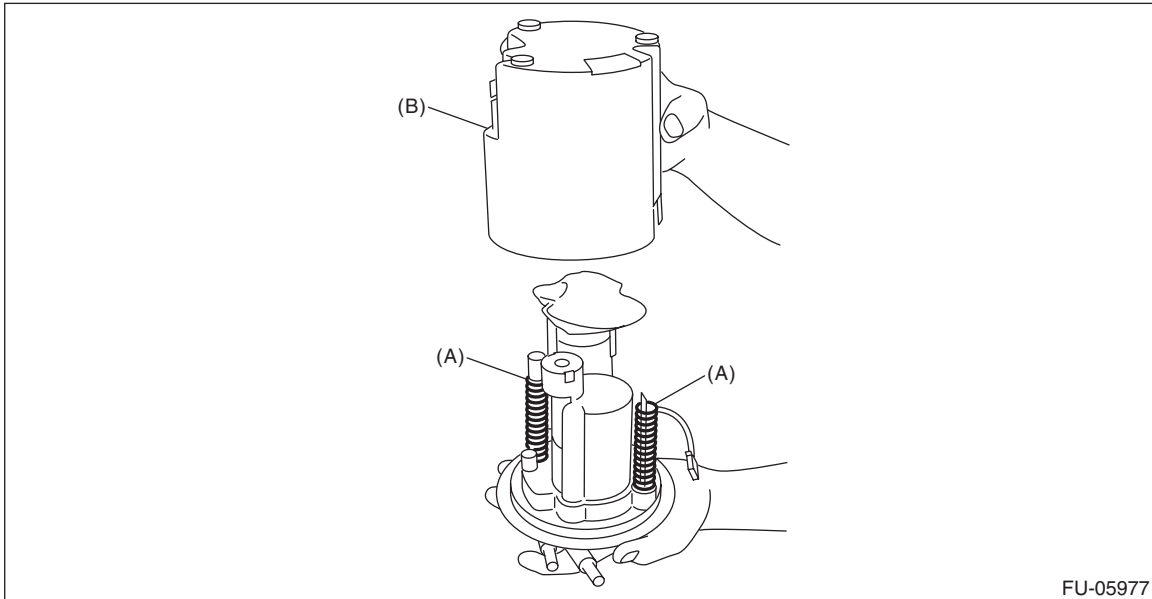
# Fuel Filter

## FUEL INJECTION (FUEL SYSTEMS)

3) Install the pump module spring (A) to fuel filter assembly, and install the fuel chamber assembly (B).

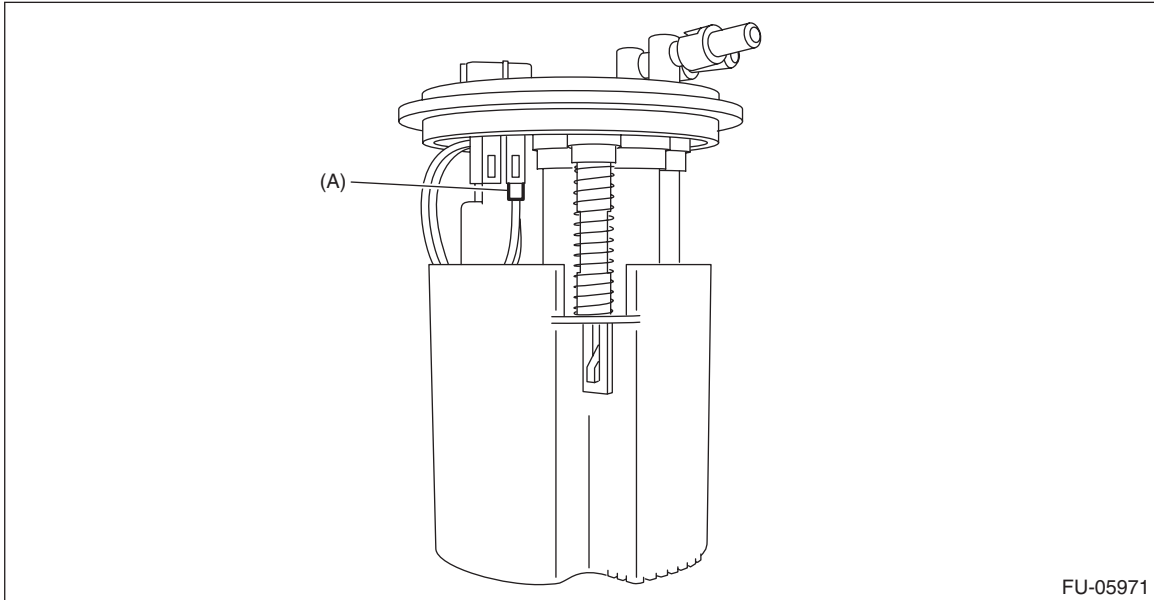
### NOTE:

- Use a new fuel chamber assembly.
- Check that the claw connecting the fuel filter assembly and fuel chamber assembly is securely fastened.



# Fuel Filter

4) Connect the connector (A) of fuel pump.



FU-05971

- 5) Install the fuel level sensor. <Ref. to FU(H4DO)-153, INSTALLATION, Fuel Level Sensor.>
- 6) Inspect the fuel level sensor. <Ref. to FU(H4DO)-154, INSPECTION, Fuel Level Sensor.>
- 7) Install the fuel pump assembly. <Ref. to FU(H4DO)-151, INSTALLATION, Fuel Pump.>