

3. Rear Seat

A: REMOVAL

1) Remove the rear seat cushion assembly.

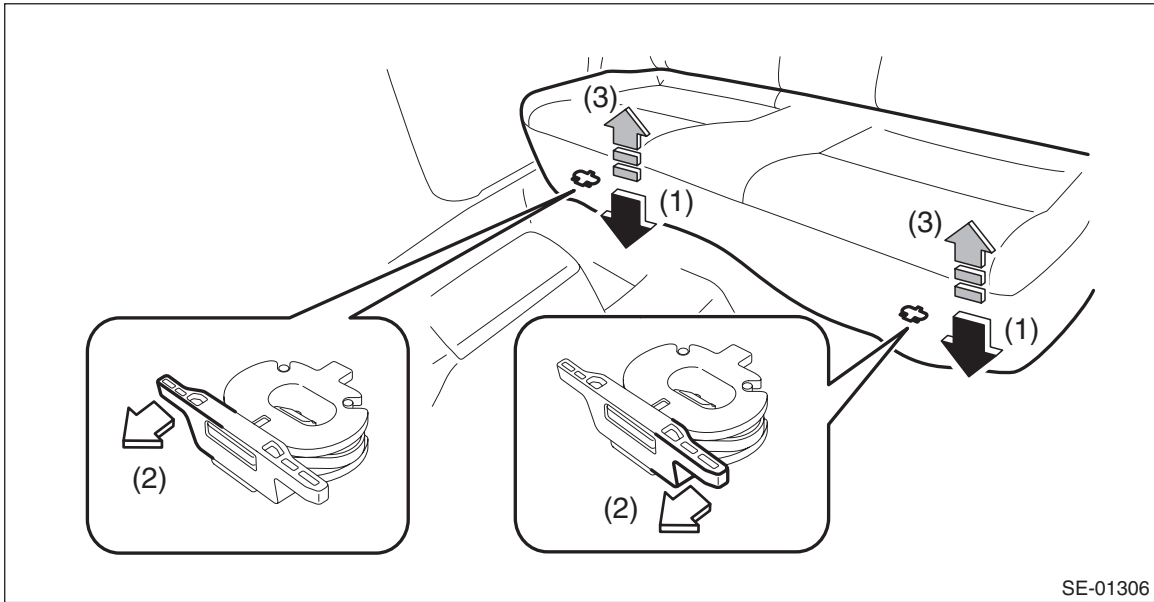
(1) Push the corners of the rear seat cushion from above.

(2) While pushing the corners of the rear seat cushion from above, pull the knob of the hook - seat cushion rear towards yourself.

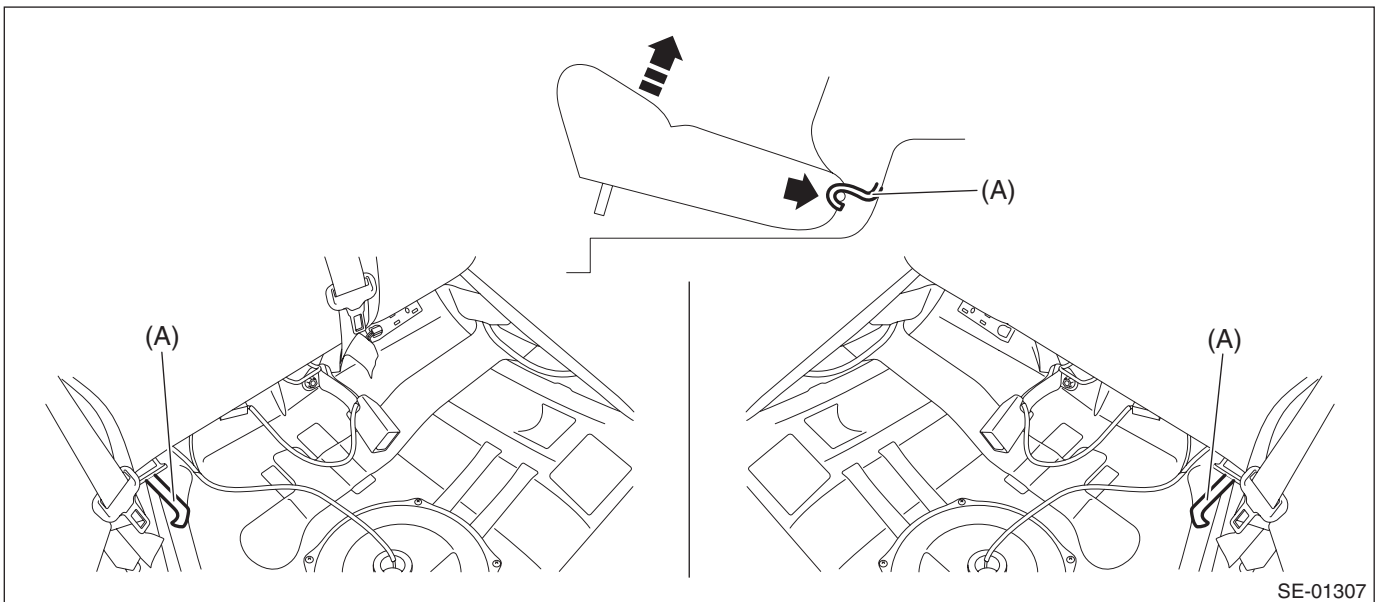
(3) While pulling the knob towards yourself, disconnect the hooks by lifting up the rear seat cushion.

NOTE:

Pull the left side of the knob to disconnect the LH side hook, and pull the right side of the knob to disconnect the RH side hook.



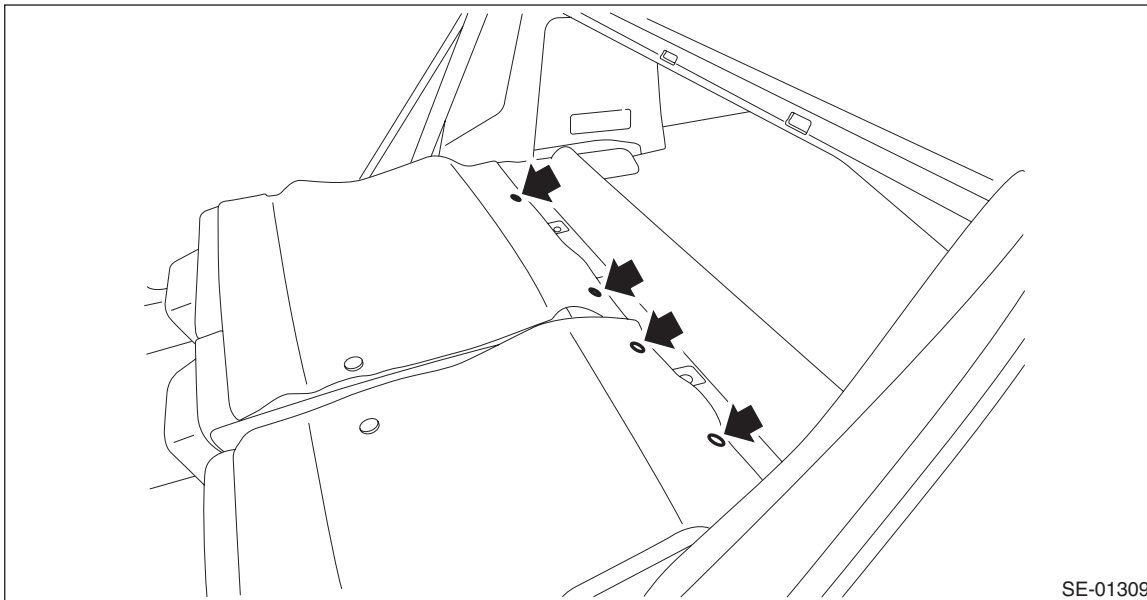
(4) Remove the hook (A) by pushing it back while lifting the front side of the rear seat cushion, and remove the rear seat cushion.



2) Remove the backrest assembly LH.

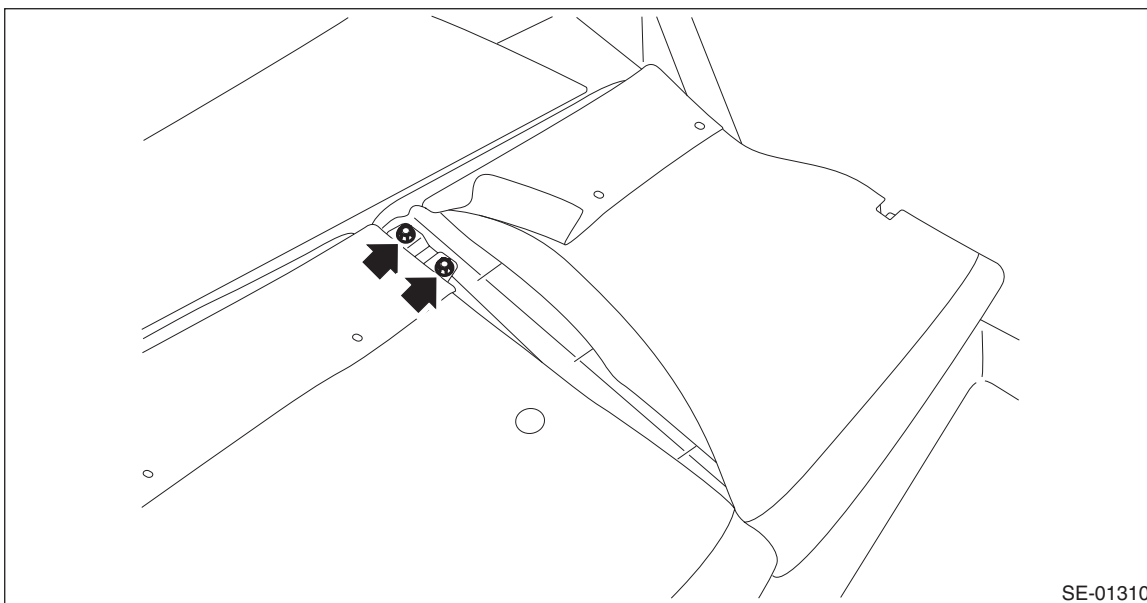
(1) Tilt the backrest assembly LH forward.

(2) Remove the clips located at the bottom of the cover COMPL - rear backrest LH and RH of the rear seat back.



SE-01309

(3) Turn over the cover COMPL - rear backrest LH to remove the bolts.

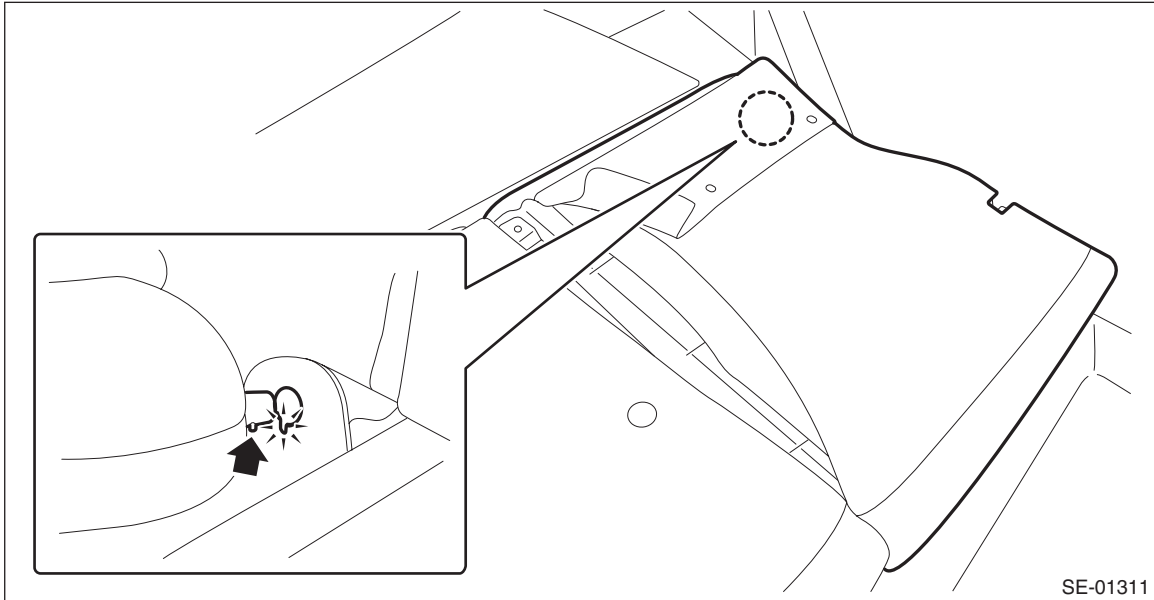


SE-01310

Rear Seat

SEATS

- (4) Remove the backrest assembly LH from the hinge assembly.

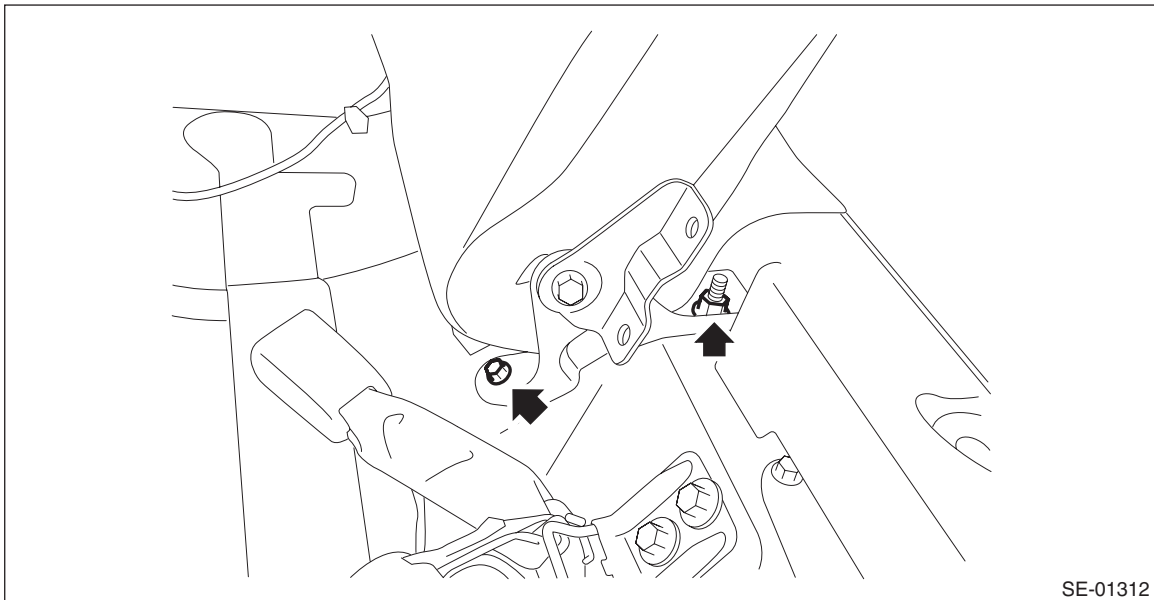


NOTE:

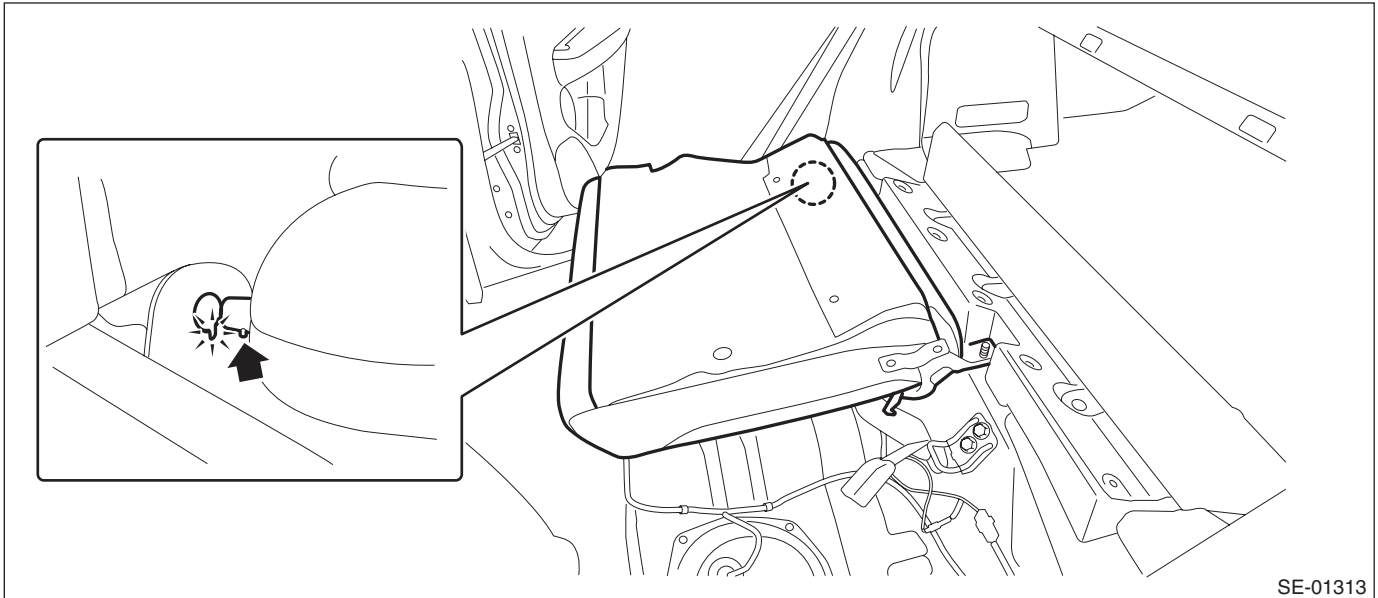
The backrest assembly cannot be removed unless pin positions on the hinge assembly side and backrest assembly side are aligned.

- 3) Remove the backrest assembly RH.

- (1) Remove the bolts and nuts.



(2) Remove the backrest assembly RH from the hinge assembly.



NOTE:

The backrest assembly cannot be removed unless pin positions on the hinge assembly side and backrest assembly side are aligned.

B: INSTALLATION

Install each part in the reverse order of removal.

NOTE:

- After installing the backrest assembly, make sure that each seat belt operates normally.
- Make sure that they are properly secured on each hook on the vehicle side.

Tightening torque:

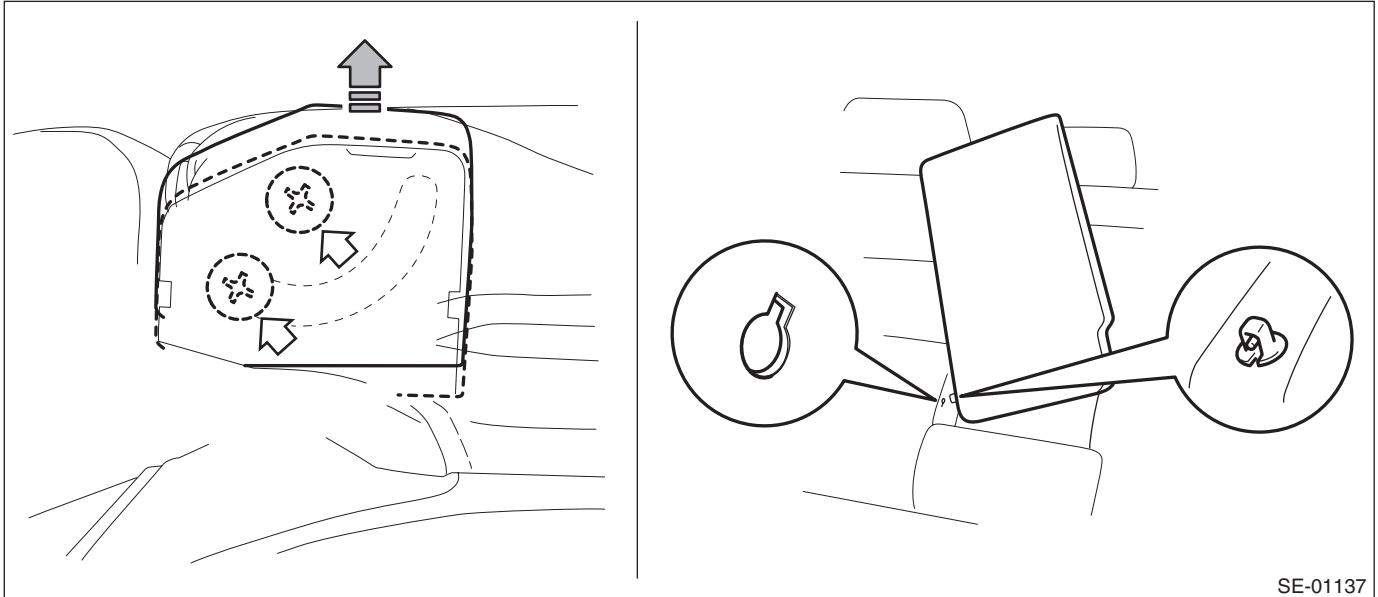
Refer to "COMPONENT" of "General Description". <Ref. to SE-5, REAR SEAT, COMPONENT, General Description.>

Rear Seat

SEATS

C: DISASSEMBLY

- 1) Remove the rear seat. <Ref. to SE-22, REMOVAL, Rear Seat.>
- 2) Remove the headrest assembly - rear backrest.
- 3) Remove the armrest assembly - rear center. (model with armrest assembly - rear center)
 - (1) Remove the cover - armrest by pulling it in the direction of the arrow (black).
 - (2) Remove the screws and remove the armrest assembly - rear center.

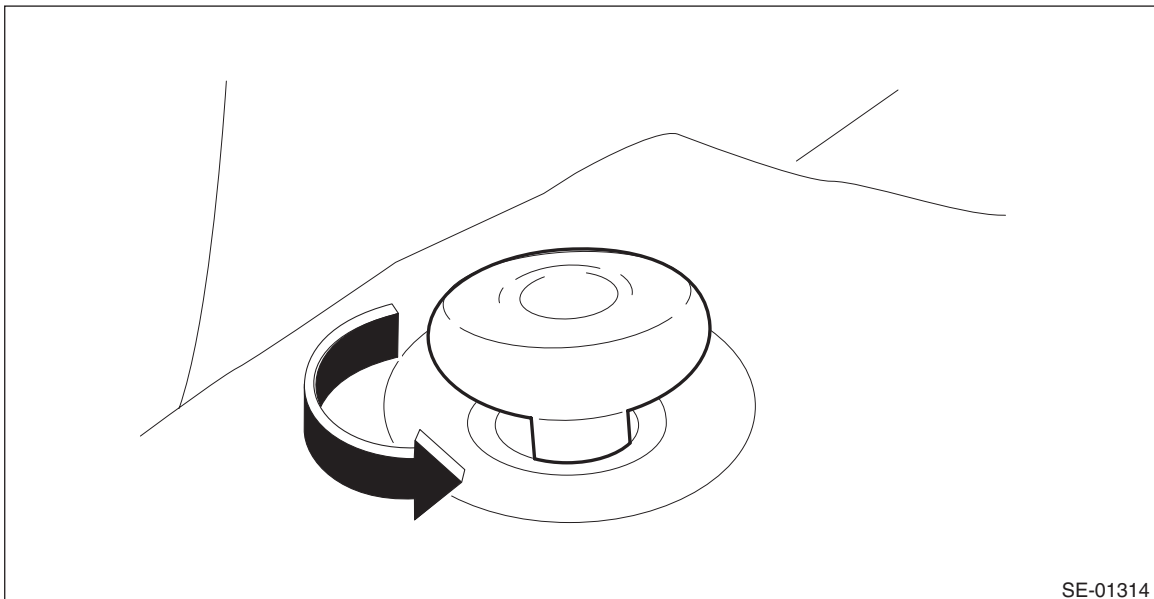


SE-01137

NOTE:

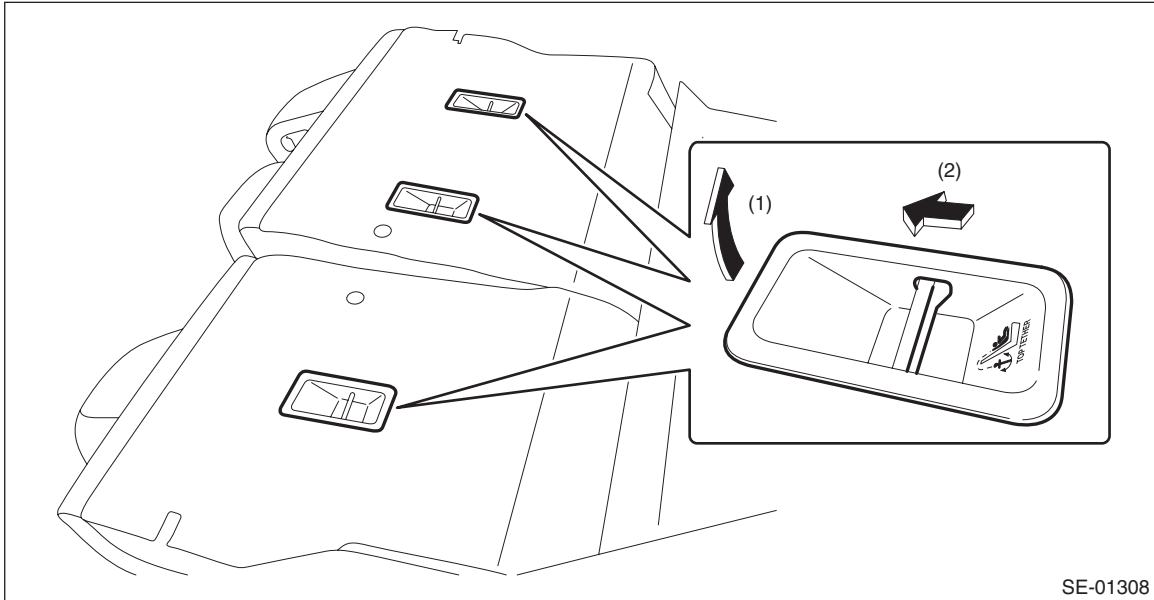
The armrest assembly - rear center cannot be detached unless pin positions on the RH side of the backrest assembly and on the center side of the armrest assembly - rear are aligned.

- 4) Remove the knob - backrest. (Screw-in type)

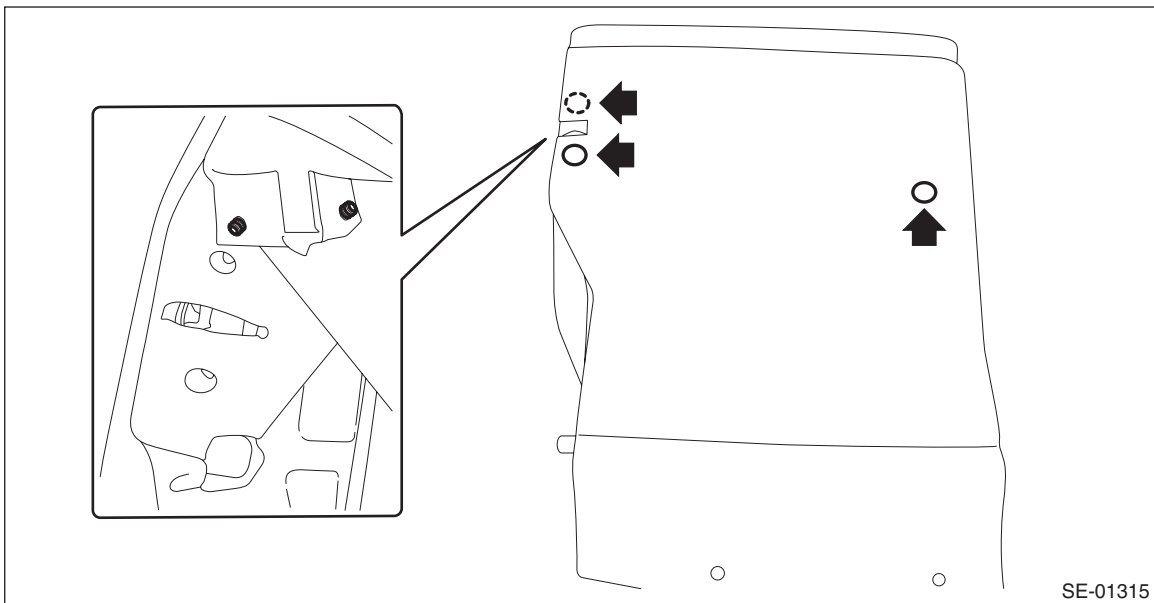


SE-01314

5) Remove the tether anchor cover.



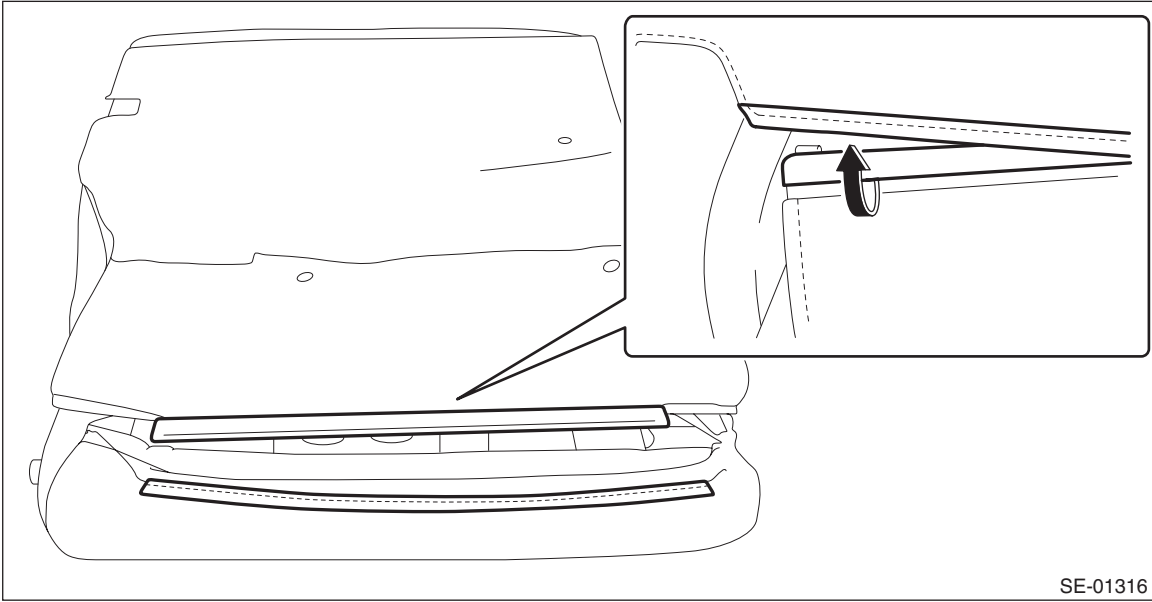
6) Remove the clips on the backside of the cover COMPL - rear backrest LH.



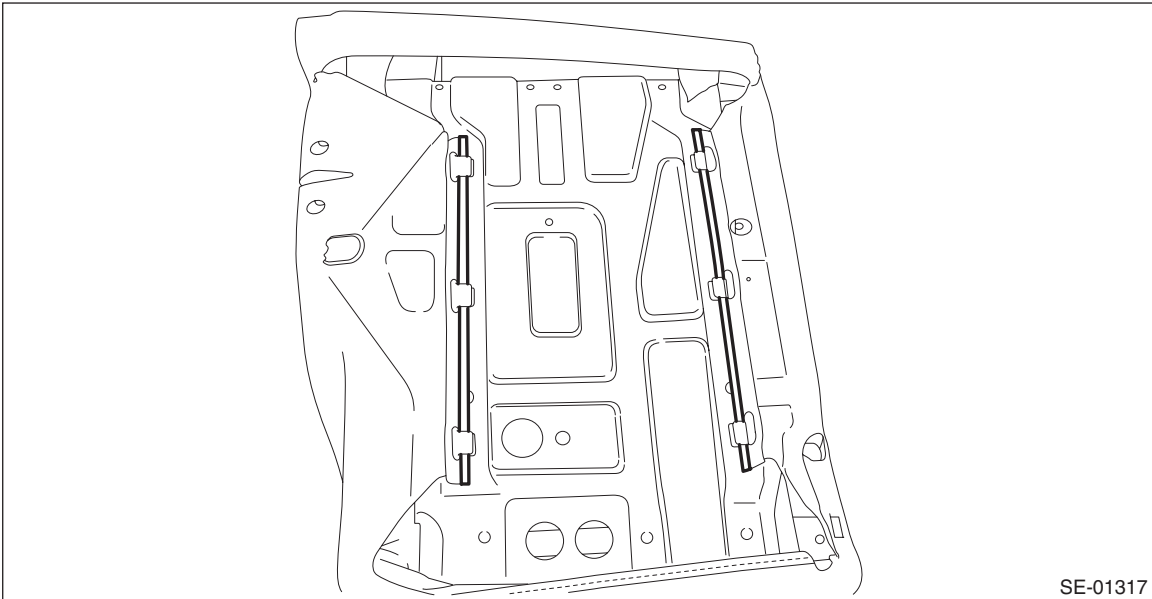
Rear Seat

SEATS

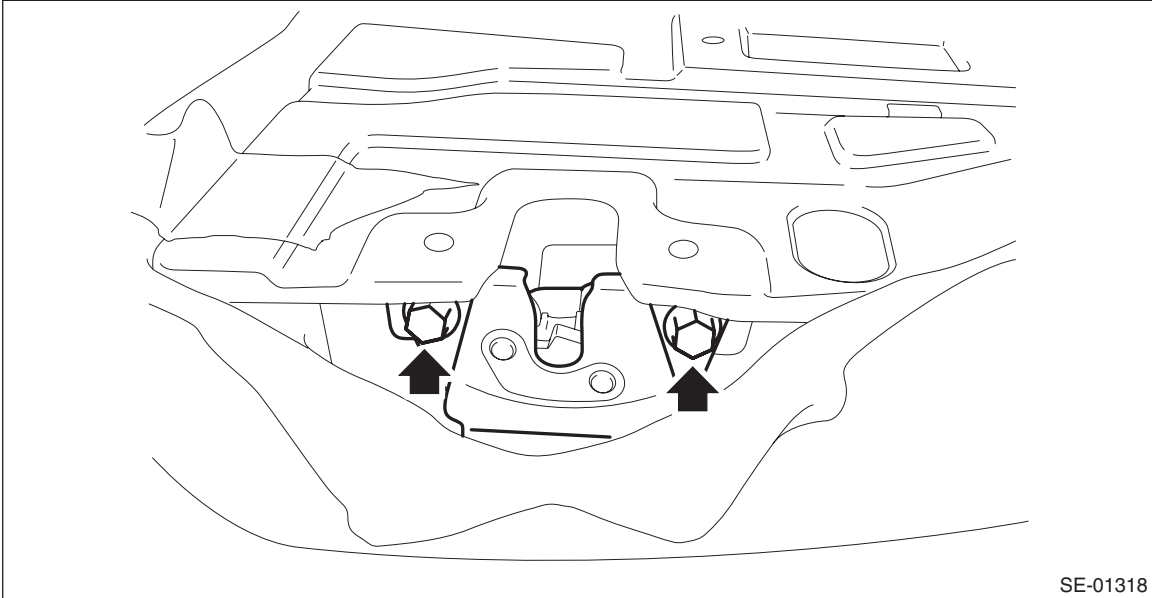
7) Detach the plastic fastener at the bottom of backrest assembly LH and turn over the cover COMPL - rear backrest LH.



8) Remove the plastic hooks on the back side of the backrest assembly LH.

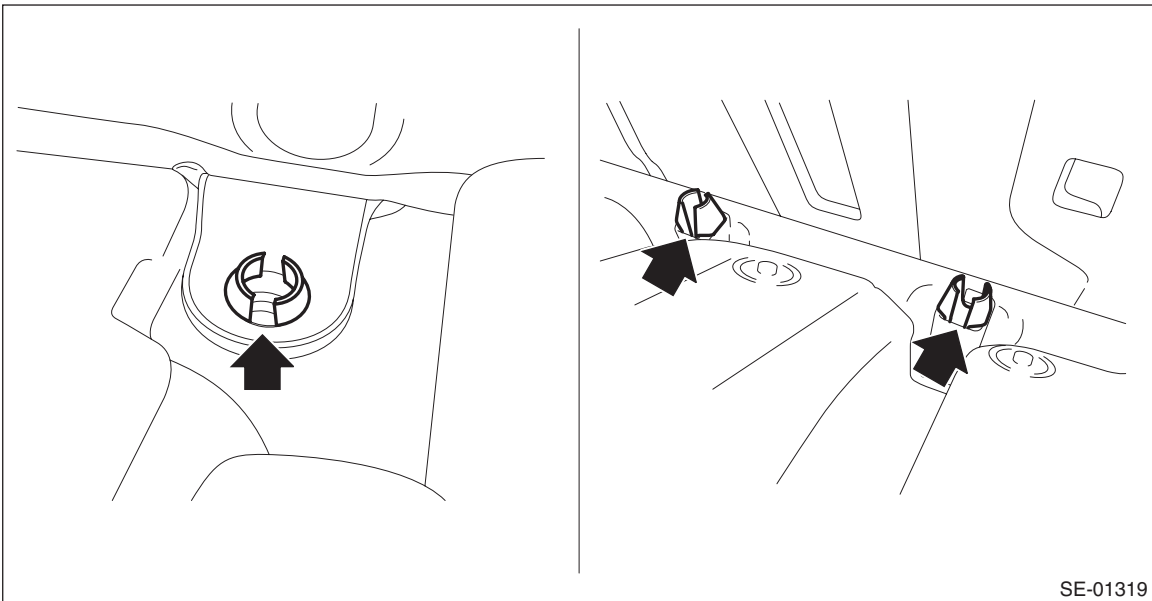


9) Remove the lock assembly - rear backrest rear LH.



SE-01318

10) Detach the bushing - headrest and the bushing - lock assembly, and remove the frame assembly - rear backrest LH from the pad assembly - main LH.

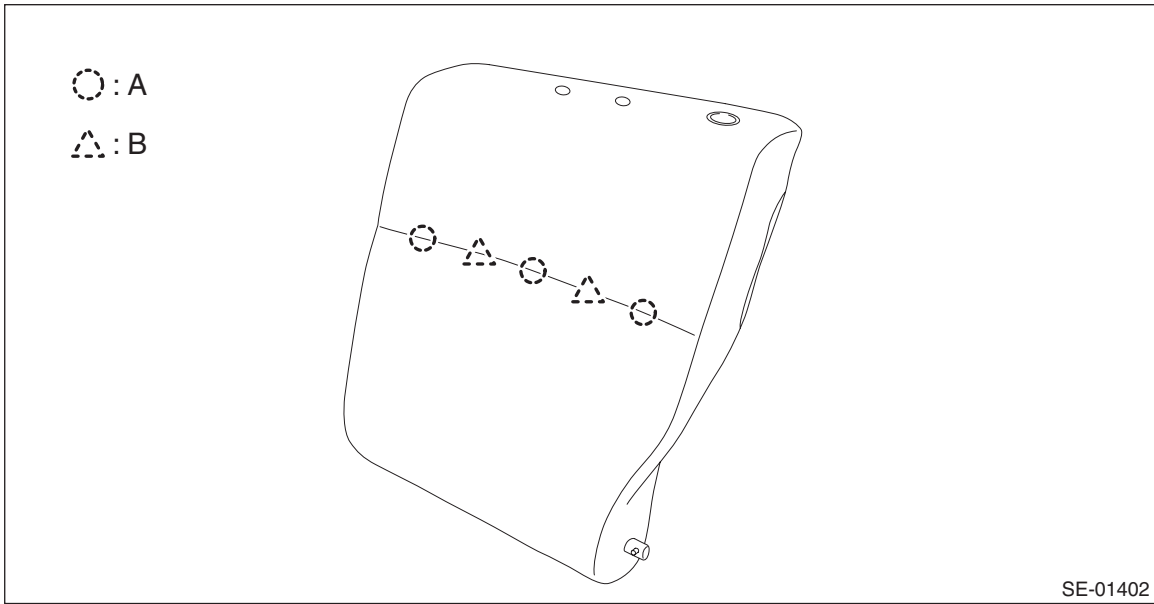


SE-01319

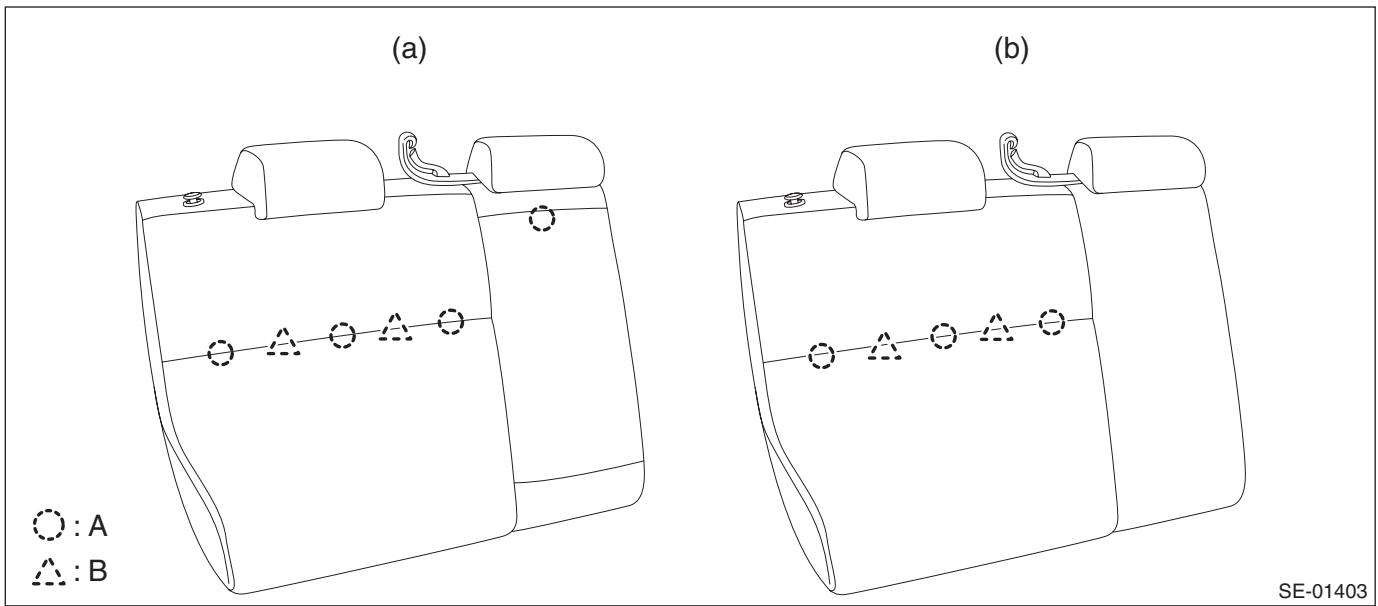
Rear Seat

SEATS

- 11) Remove the hog rings (A) and wire clip (B), then remove the cover COMPL - rear backrest LH.
- LH side



- RH side

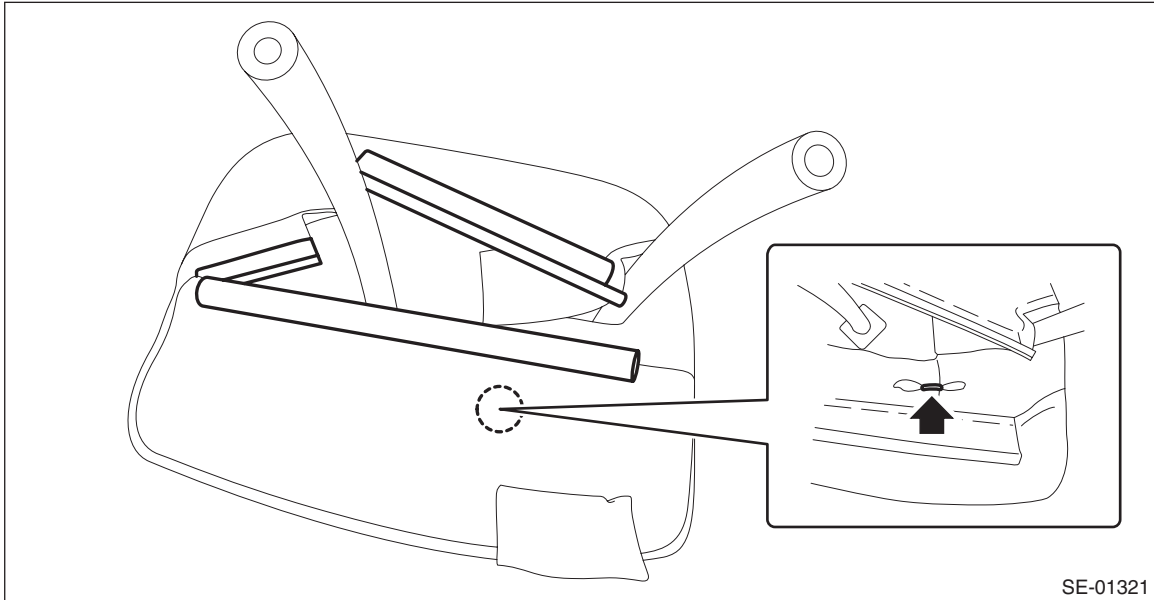


(a) Model with armrest assembly - rear center

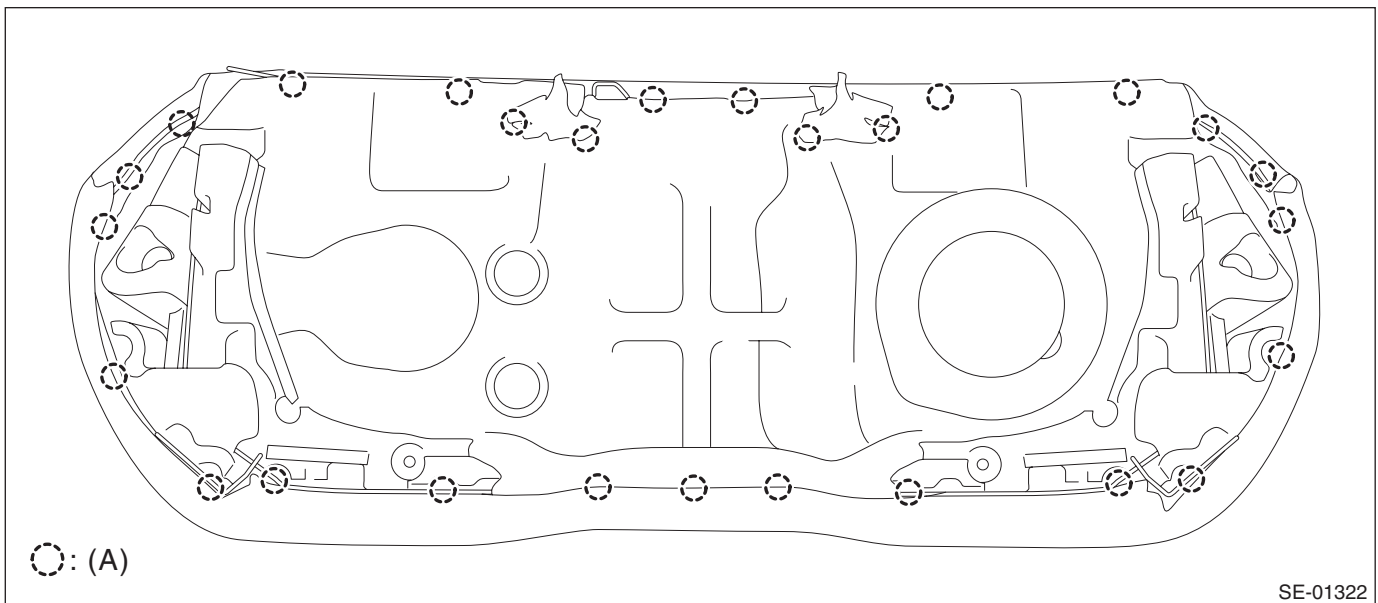
(b) Model without armrest assembly - rear center

- 12) Referring to the above steps, disassemble the backrest assembly RH.

13) Detach the plastic fastener and hog ring, and then remove the headrest cover.



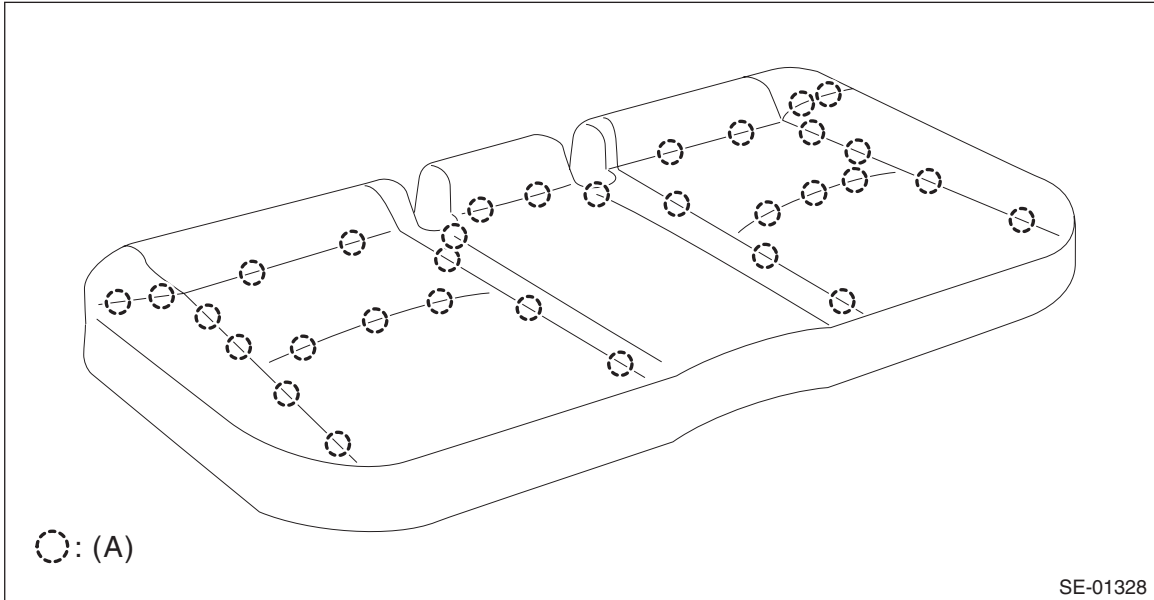
14) Remove the hog rings (A) on the back side of the rear seat cushion assembly.



Rear Seat

SEATS

15) Remove the hog rings (A), then remove the cover - rear cushion.



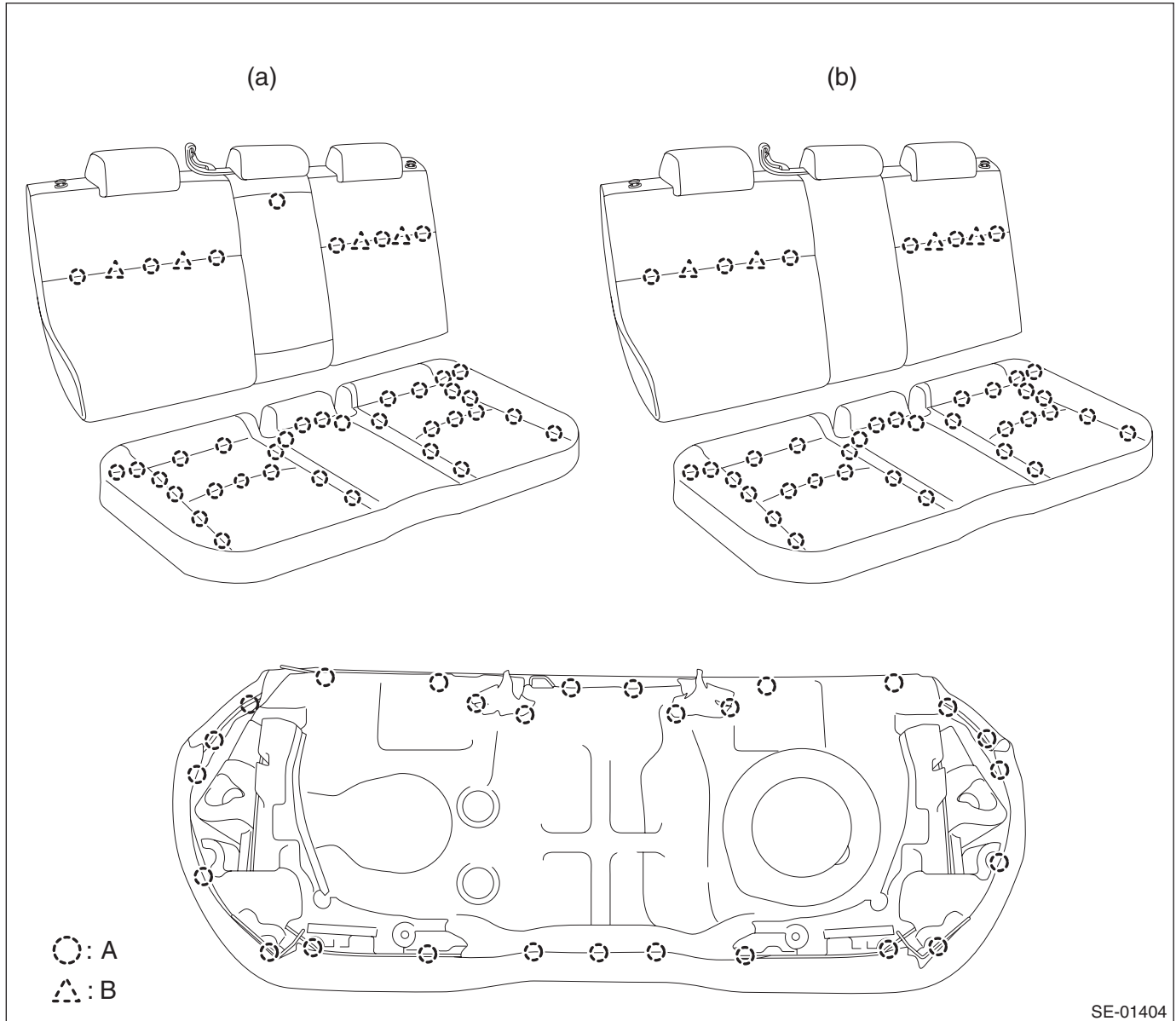
D: ASSEMBLY

CAUTION:

- Do not reuse hog rings.
- Secure the hog ring using hog ring pliers.
- Install the hog rings to the specified points securely and make sure that there is no wrinkle or twisting on the cover COMPL - rear backrest.

1) Assemble the cover COMPL - rear backrest and the cover - rear cushion in the same manner as for the front seat. <Ref. to SE-17, ASSEMBLY, Front Seat.>

2) Make sure that all hog rings (A) and wire clips (B) are attached securely.



(a) Model with armrest assembly - rear center

(b) Model without armrest assembly - rear center

Rear Seat

SEATS

3) Assemble each part in the reverse order of disassembly.

NOTE:

- Do not contaminate or damage the cover COMPL - rear backrest and the cover - rear cushion.
- While installing the hog rings, prevent the cover COMPL - rear backrest and the cover - rear cushion from getting wrinkled.

Tightening torque:

Refer to "COMPONENT" of "General Description". <Ref. to SE-5, REAR SEAT, COMPONENT, General Description.>

4) Before installation, check the following items.

- No tear and fray on the cover COMPL - rear backrest and the cover - rear cushion.
- No fray or deformation on each wire cable.

5) Install each part in the reverse order of removal.