

4. Seat Heater System

A: REMOVAL

1. SEAT HEATER UNIT

- 1) Remove the front seats. <Ref. to SE-7, REMOVAL, Front Seat.>
- 2) Remove the backrest cover of front seat and seat cushion cover. <Ref. to SE-9, DISASSEMBLY, Front Seat.>
- 3) Remove the seat heater unit.

2. SEAT HEATER SWITCH

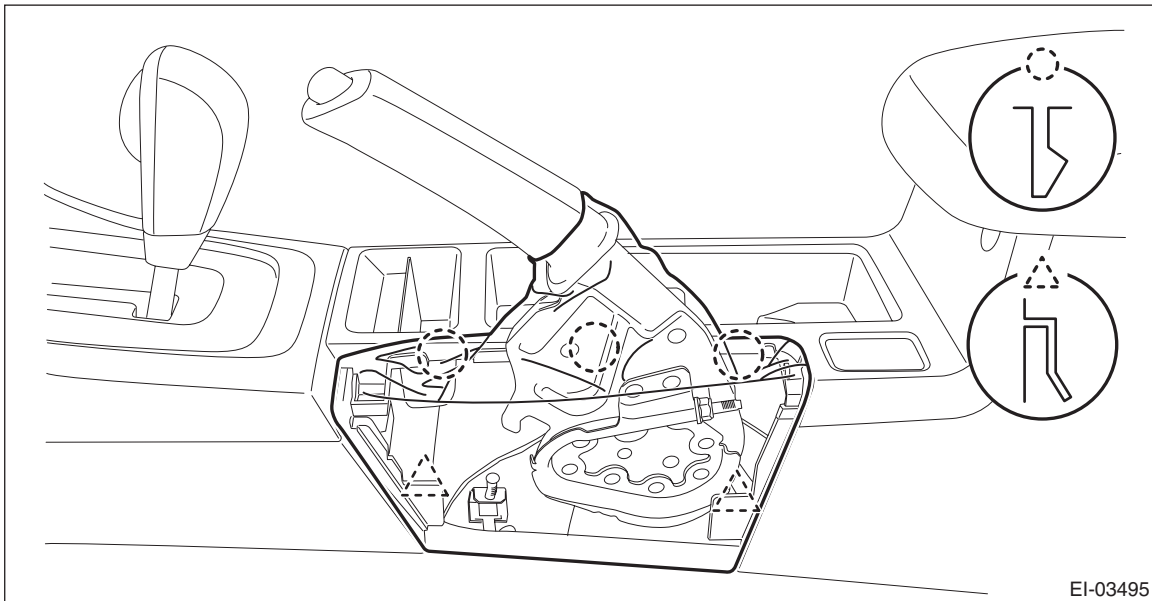
- 1) Disconnect the ground cable from battery.

NOTE:

On CVT models, shift the select lever into D before disconnecting the battery ground cable.

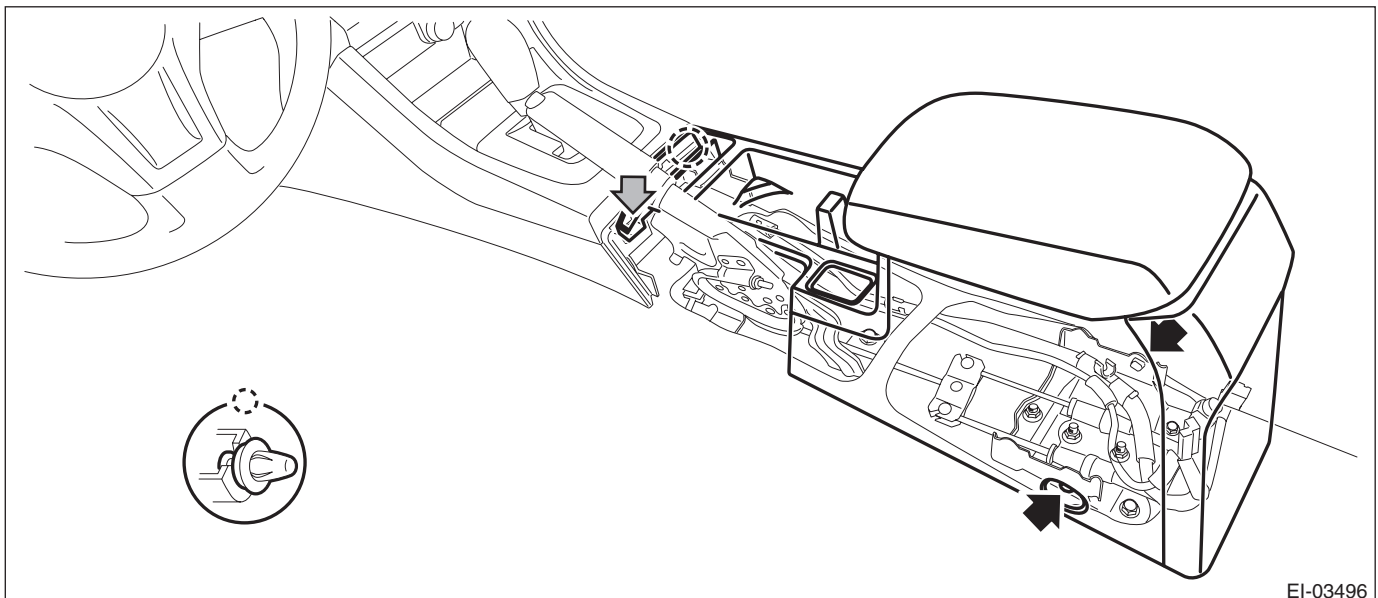
- 2) Remove the console box assembly.

- (1) Release the claws, and then remove the boot - hand brake.



EI-03495

- (2) Move the seat forward, and remove the bolts after detaching the left and right caps.
- (3) Remove the screws, disconnect the harness connector and remove the console box assembly.



EI-03496

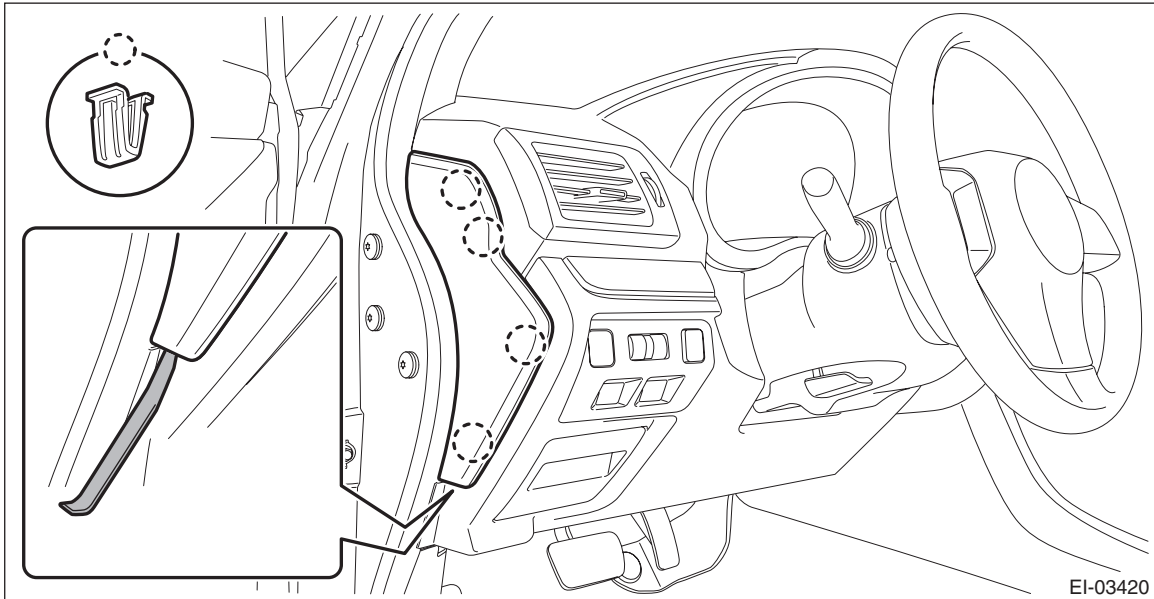
- 3) Remove the screws and remove the seat heater switch from the backside of the console box assembly.

Seat Heater System

SEATS

3. SEAT HEATER RELAY AND FUSE

- 1) Disconnect the ground cable from battery.
- 2) Remove the cover assembly - instrument panel LWR driver.
 - (1) Remove the clips, and remove the cover - instrument panel side LH.

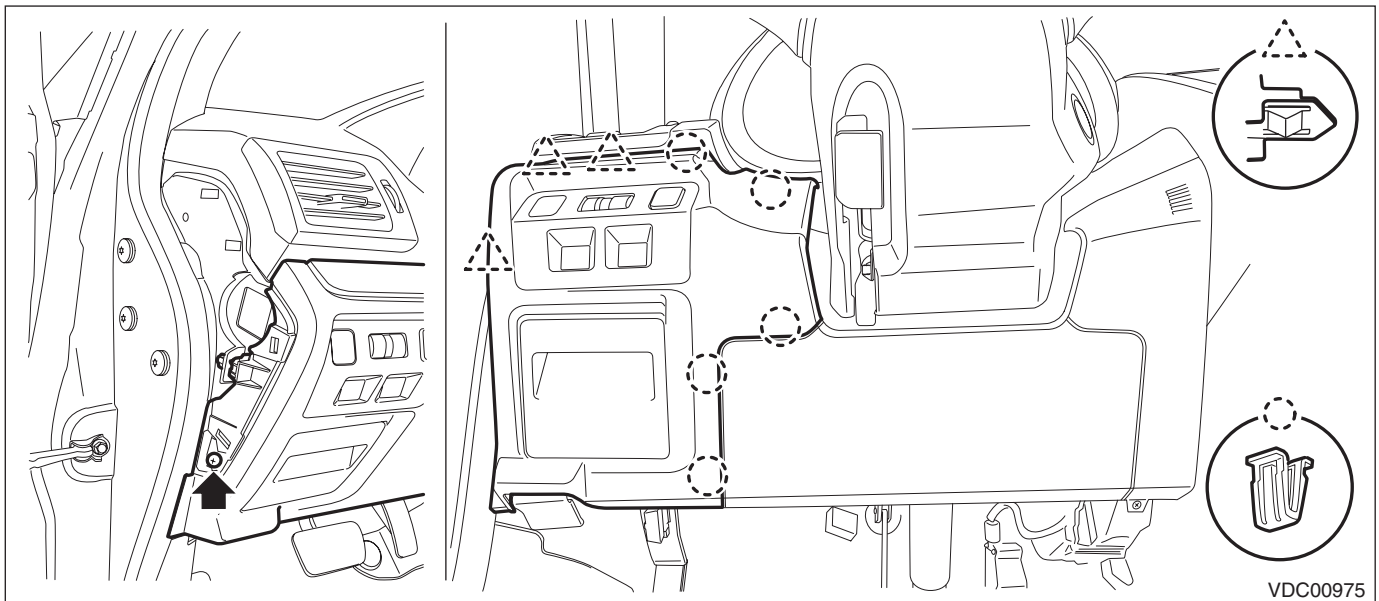


NOTE:

Using a plastic remover, open the cover - instrument panel side LH.

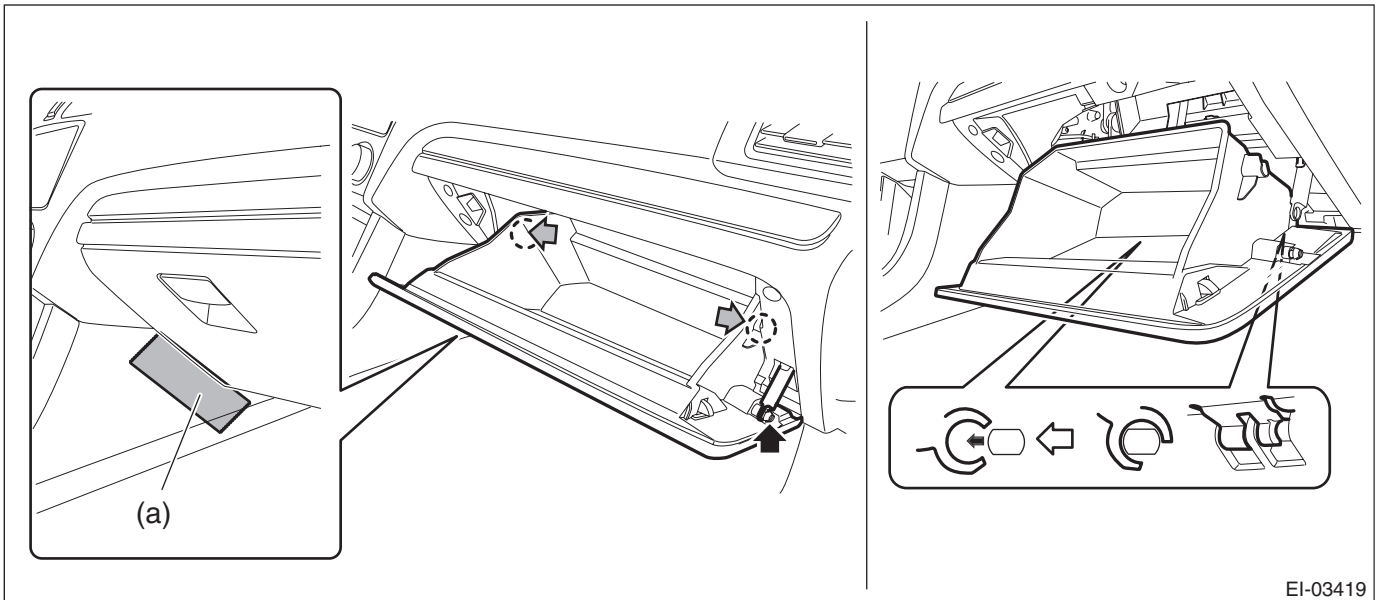
(2) Remove the screws and release the clips and claws.

(3) Disconnect the harness connectors, and remove the cover assembly - instrument panel LWR driver OUT.



3) Remove the pocket assembly.

- (1) Attach the protective tape (a) to the panel center LWR.
- (2) Remove the damper COMPL - pocket.
- (3) Release the stoppers and remove the pocket assembly by pulling it toward you.



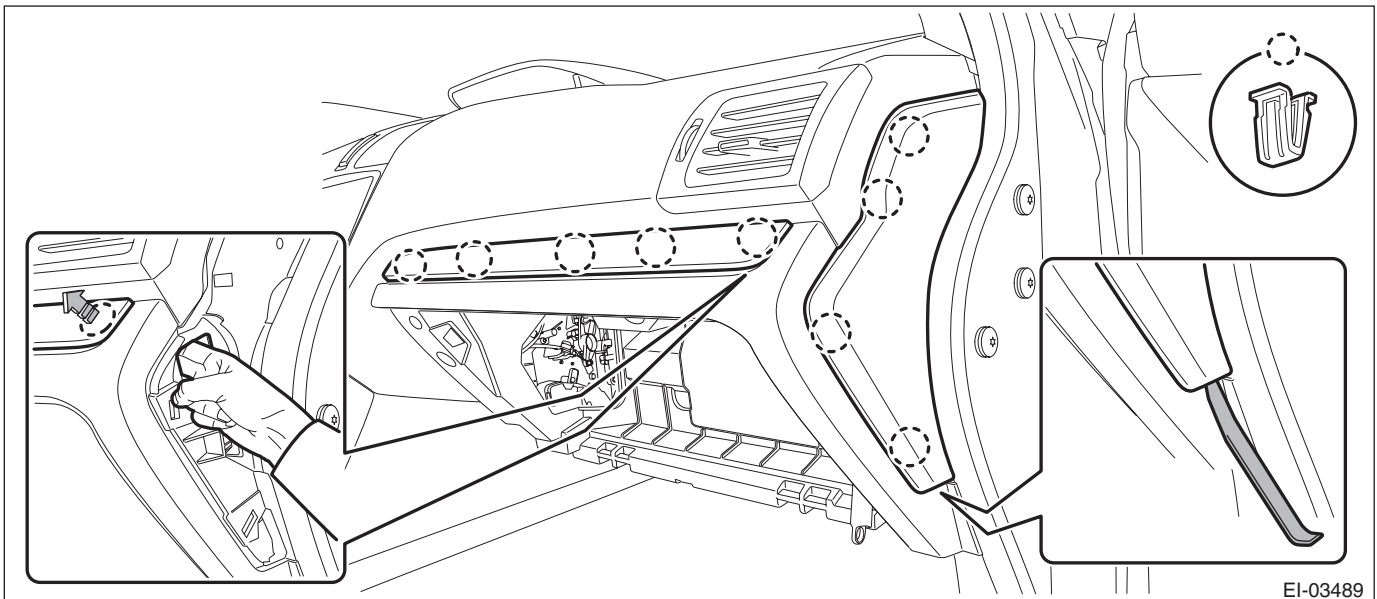
4) Remove the back panel - pocket.

- (1) Remove the clips, and remove the cover - instrument panel side RH.

NOTE:

Remove the cover - instrument panel side RH by using a plastic remover.

- (2) Release the clips, and remove the ornament - panel assembly passenger.



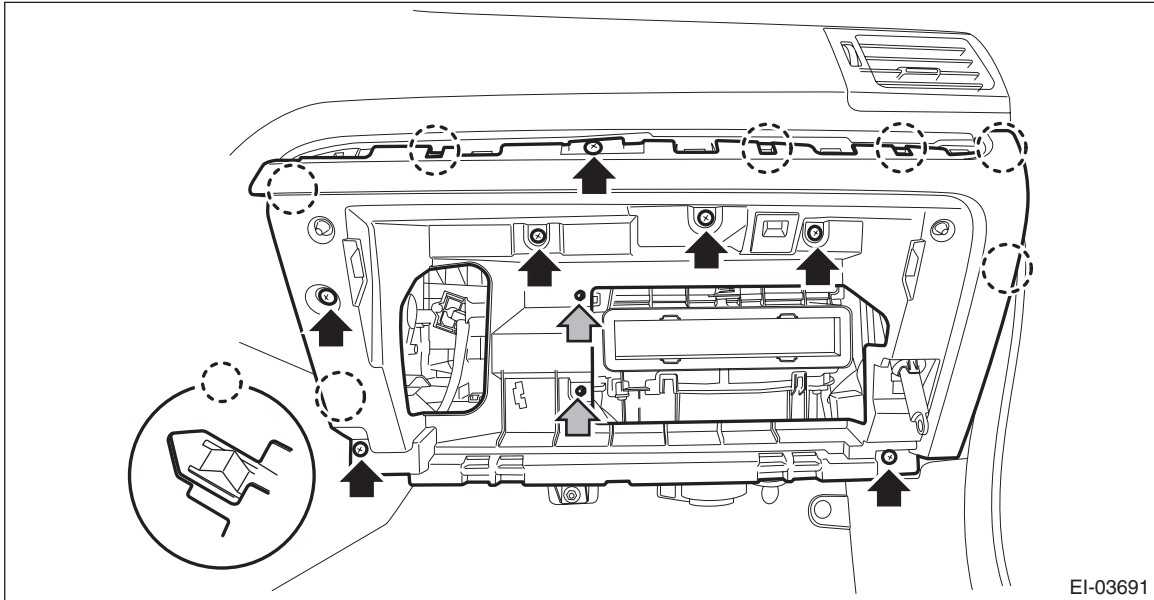
NOTE:

To facilitate the removal, push the clip of the ornament - panel assembly passenger from the backside.

Seat Heater System

SEATS

(3) Release the claws and remove the screws, then remove the back panel - pocket.

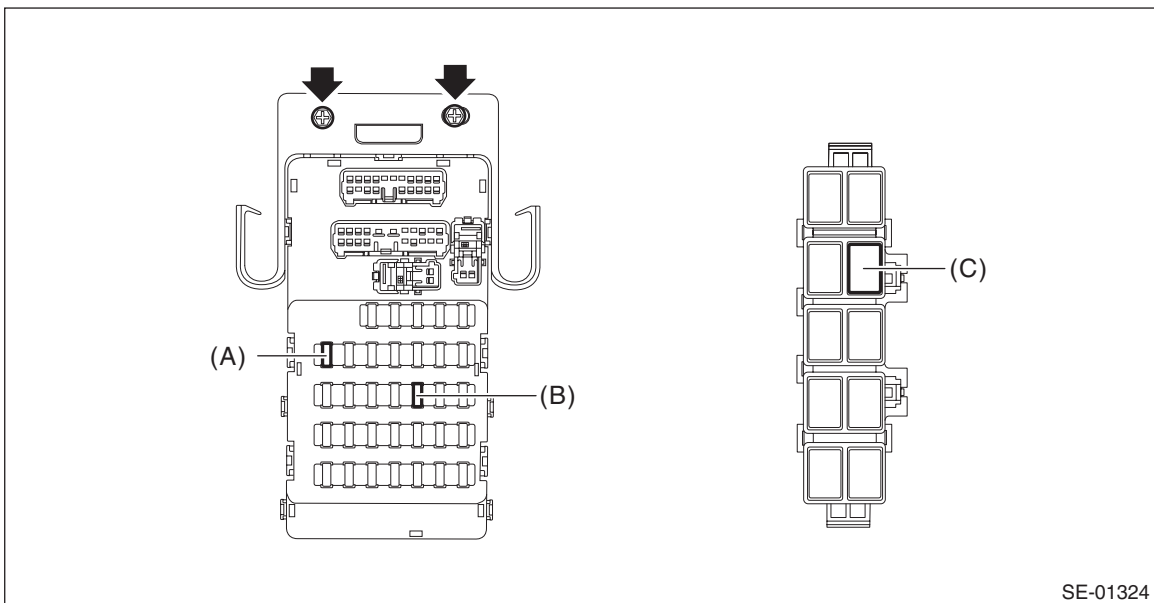


(4) Disconnect the glove box light LED connector.

5) Remove the seat heater relay and fuse.

(1) Remove the relay & fuse box bolts.

(2) Remove the seat heater relay from the relay holder.



Relay & fuse box	Fuse 7.5 A (remote control mirror)	(A)
	Fuse 15 A (seat heater)	(B)
Relay holder	Seat heater relay	(C)

B: INSTALLATION

Install each part in the reverse order of removal.

C: INSPECTION

1. WIRING DIAGRAM

Refer to “Seat Heater System” in the wiring diagram. <Ref. to WI-137, WIRING DIAGRAM, Seat Heater System.>

2. DIAGNOSTIC CHART

Symptoms	Repair order
Seat heater does not operate.	1. Check the fuse. <Ref. to SE-39, CHECK SEAT HEATER FUSE, INSPECTION, Seat Heater System.>
	2. Check the seat heater relay. <Ref. to SE-39, CHECK SEAT HEATER RELAY, INSPECTION, Seat Heater System.>
	3. Check the seat heater system power supply and ground circuit. <Ref. to SE-40, CHECK POWER SUPPLY AND GROUND CIRCUIT, INSPECTION, Seat Heater System.>
	4. Check the seat heater module. <Ref. to SE-40, SEAT HEATER UNIT, INSPECTION, Seat Heater System.>
	5. Check the seat heater switch circuit. <Ref. to SE-41, SEAT HEATER SWITCH, INSPECTION, Seat Heater System.>

3. CHECK SEAT HEATER FUSE

Remove the seat heater fuse and inspect visually.

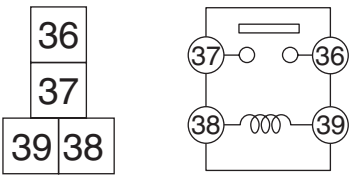
Is the fuse blown out?

- **Yes** → Replace the fuse.
- **No** → Check the power supply and ground circuits.

4. CHECK SEAT HEATER RELAY

- 1) Remove the seat heater relay from the relay holder.
- 2) Measure the resistance between seat heater relay terminals.

Preparation tool: Circuit tester

Terminal No.	Inspection conditions	Standard	Circuit
36 — 37	Always	1 MΩ or more	 <p style="text-align: right; font-size: small;">SE-01325</p>
36 — 37	Apply battery voltage between terminals 38 — 39.	Less than 1 Ω	

- 3) Replace the seat heater relay if the inspection result is not within the standard.

Seat Heater System

SEATS

5. CHECK POWER SUPPLY AND GROUND CIRCUIT

1) Check power supply circuit

- (1) Disconnect the harness connector of seat heater switch.
- (2) Turn the ignition switch to ON.
- (3) Measure the voltage between harness connector terminal and chassis ground.

Connector & terminal

(R43) No. 7 (+) — Chassis ground (-):

Is the voltage 12 V or more?

- **Yes** → Go to step 2.
- **No** → Check the harness between the seat heater switch and fuse.

2) Check ground circuit

Measure the resistance between harness connector terminal and chassis ground.

Connector & terminal

(R43) No. 2 — Chassis ground:

Is the resistance less than 10 Ω ?

- **Yes** → Go to step 3.
- **No** → Repair the harness.

3) Check ground circuit

Measure the resistance between seat heater switch terminals.

Connector & terminal

(R43) No. 7 — (R43) No. 2:

Is the resistance less than 10 Ω ?

- **Yes** → The power supply and ground circuits are normal.
- **No** → Replace the seat heater switch.

6. SEAT HEATER UNIT

1) Disconnect the seat heater unit connector, and check the continuity between terminals of connector.

Connector & terminal

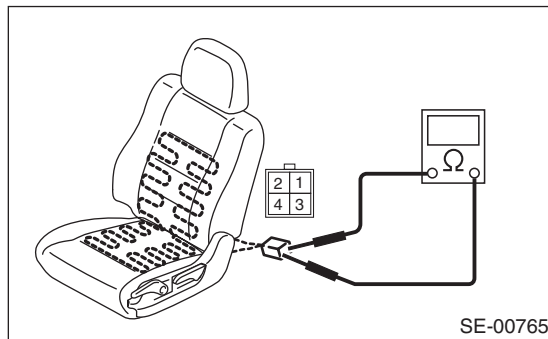
HI

No. 1 — No. 3:

No. 3 — No. 4:

LOW

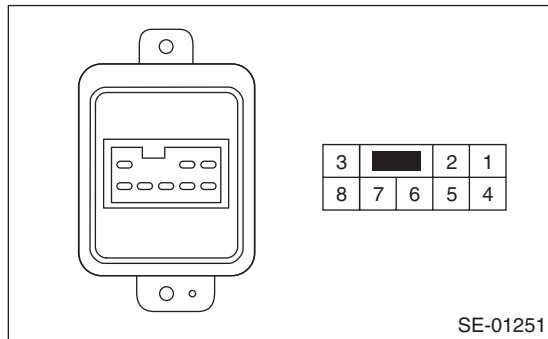
No. 1 — No. 4:



2) If no continuity exists, replace the seat heater module with a new part.

7. SEAT HEATER SWITCH

1) Inspect the continuity between the seat heater switch terminals.



Connector & terminal

HI

No. 7 — No. 2:

No. 7 — No. 4:

No. 7 — No. 8:

LOW

No. 7 — No. 1:

No. 7 — No. 2:

No. 7 — No. 3:

2) If no continuity exists, replace the seat heater switch with a new part.

Seat Heater System

SEATS

SECURITY AND LOCKS

SL

	Page
1. General Description	2
2. Relay and Fuse	9
3. Door Lock Control System	10
4. Keyless Entry System	15
5. Security System	27
6. Front Inner Remote	31
7. Front Outer Handle	32
8. Front Door Latch and Door Lock Actuator Assembly	36
9. Rear Inner Remote	39
10. Rear Outer Handle	40
11. Rear Door Latch and Door Lock Actuator Assembly	44
12. Rear Gate Opener Button	46
13. Rear Gate Latch and Actuator Assembly	48
14. Trunk Lid Latch and Actuator Assembly	50
15. Front Hood Lock Assembly	52
16. Remote Openers	55
17. Ignition Key Lock	61
18. Key Lock Cylinders	66
19. Security Control Module	72
20. Impact Sensor	73
21. Keyless Entry Control Module	75
22. Keyless Buzzer	77
23. Body Integrated Unit	78
24. Keyless Transmitter	81
25. Immobilizer Control Module	84
26. Immobilizer Antenna	85