

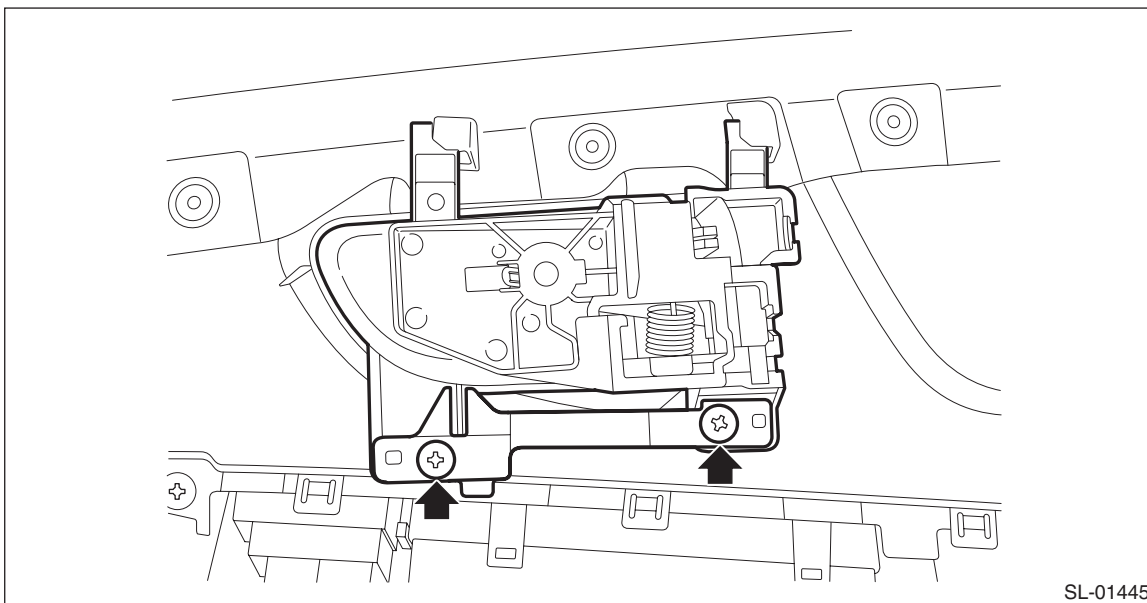
## 6. Front Inner Remote

### A: REMOVAL

- 1) Remove the trim panel - front door. <Ref. to EI-61, FRONT DOOR, REMOVAL, Door Trim.>
- 2) Remove the screw, and remove the remote assembly - door.

#### CAUTION:

The remote assembly - door is tightened with the plate. Be careful not to drop or damage the part.



SL-01445

### B: INSTALLATION

- 1) Before installation, check the following items.
  - Cable is free from deformation such as fray.
  - Grease is applied sufficiently to cable joints.If grease is insufficient, add it as necessary before assembling the cable.
- 2) Install each part in the reverse order of removal.

#### CAUTION:

Securely install the plate.

### C: INSPECTION

Check if the remote handle operates normally.

- If the lever is faulty, replace the remote handle.
- If the cable is deformed, replace the latch & actuator assembly - front.