

# Front Outer Handle

## SECURITY AND LOCKS

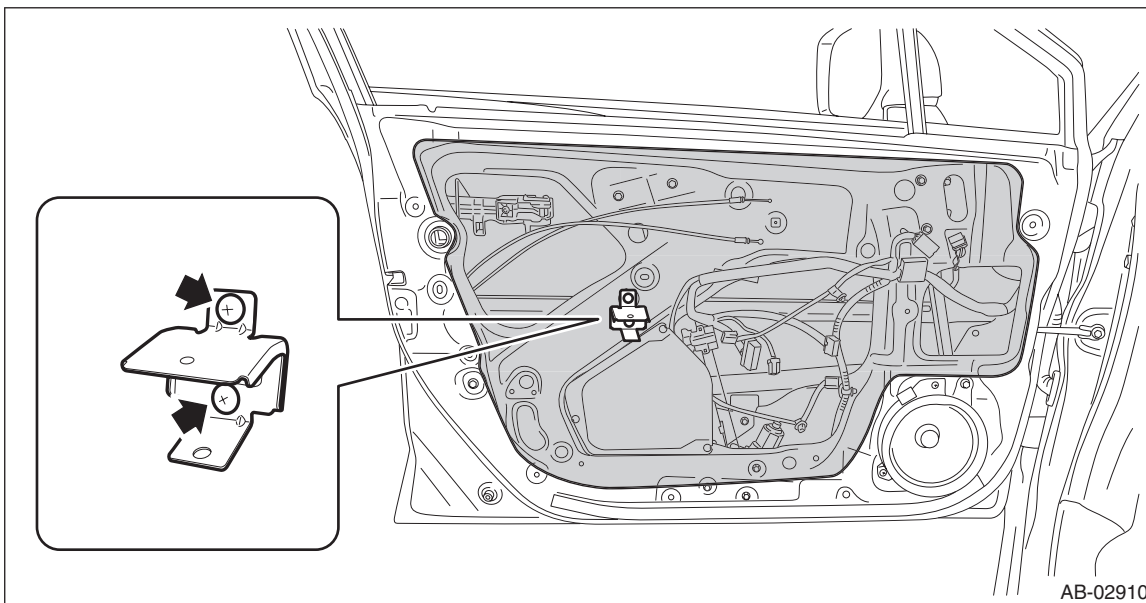
### 7. Front Outer Handle

#### A: REMOVAL

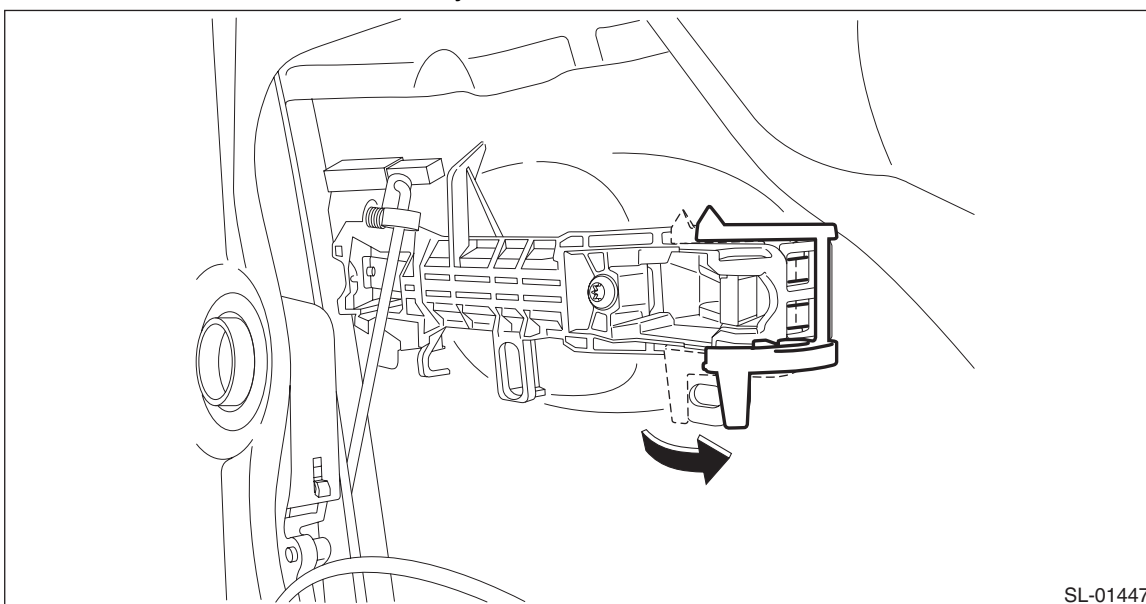
- 1) Raise the glass assembly - front door to the top position.
- 2) Remove the trim panel - front door. <Ref. to EI-61, FRONT DOOR, REMOVAL, Door Trim.>
- 3) Remove the sealing cover - front door.

#### CAUTION:

- Carefully remove the butyl tape. Excessive force will easily break the sealing cover - front door.
- If the sealing cover - front door gets broken, replace it with a new part.
  - (1) Remove the screw to remove the bracket - door trim front.
  - (2) Disconnect connectors.
  - (3) Carefully remove the butyl tape to remove the sealing cover - front door.

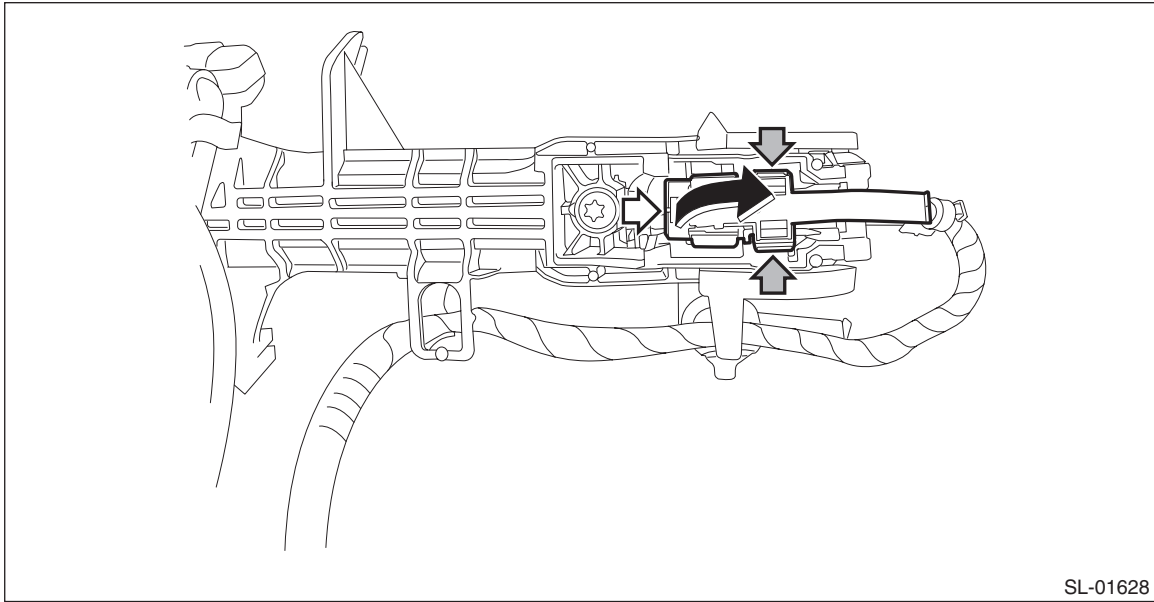


- 4) Remove the holder of the frame assembly - front door outer.



**NOTE:**

For model with keyless access, disconnect the harness clip and exterior antenna (touch sensor) connector.

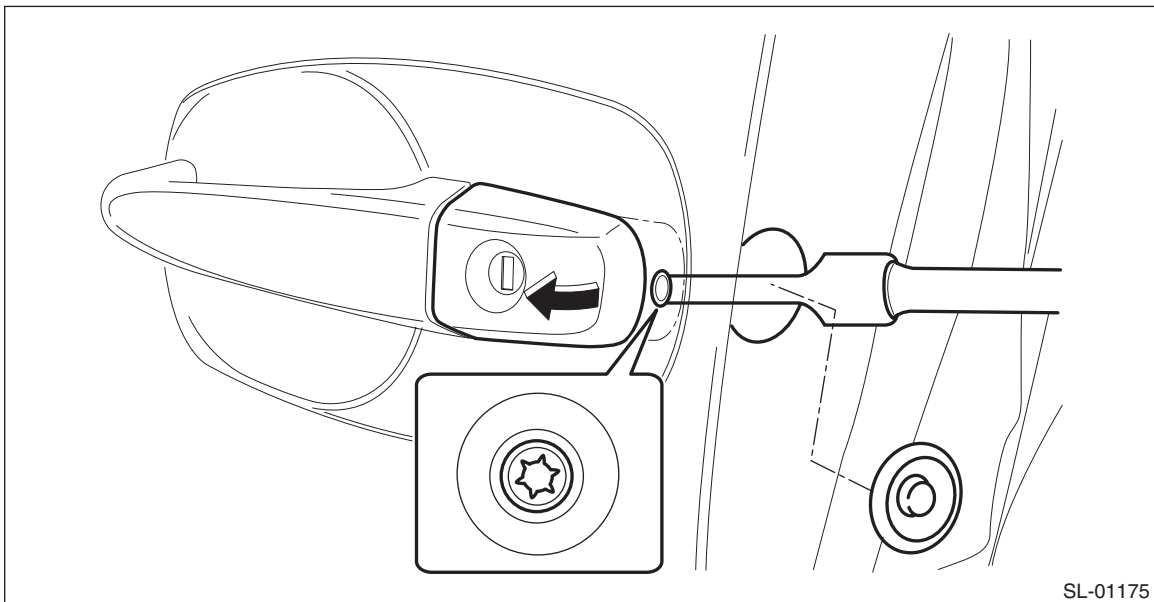


5) Remove the cover - handle front outer.

**Preparation tool:**

**TORX® T30**

- (1) Remove the plug at the rear end of the panel assembly - front door.
- (2) Loosen the TORX® bolt and remove the cover - handle front outer.



## Front Outer Handle

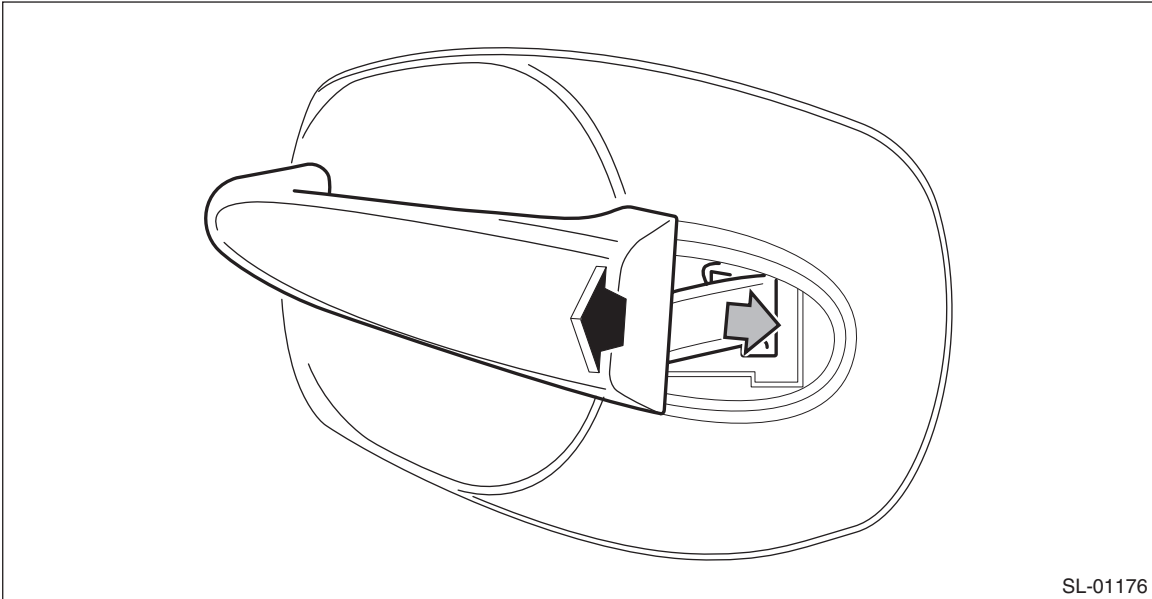
### SECURITY AND LOCKS

---

6) Remove the handle - door outer by moving it rearward.

**CAUTION:**

**Do not apply excessive force to remove the handle - door outer from the panel assembly - front door.  
The panel assembly - front door may be deformed.**



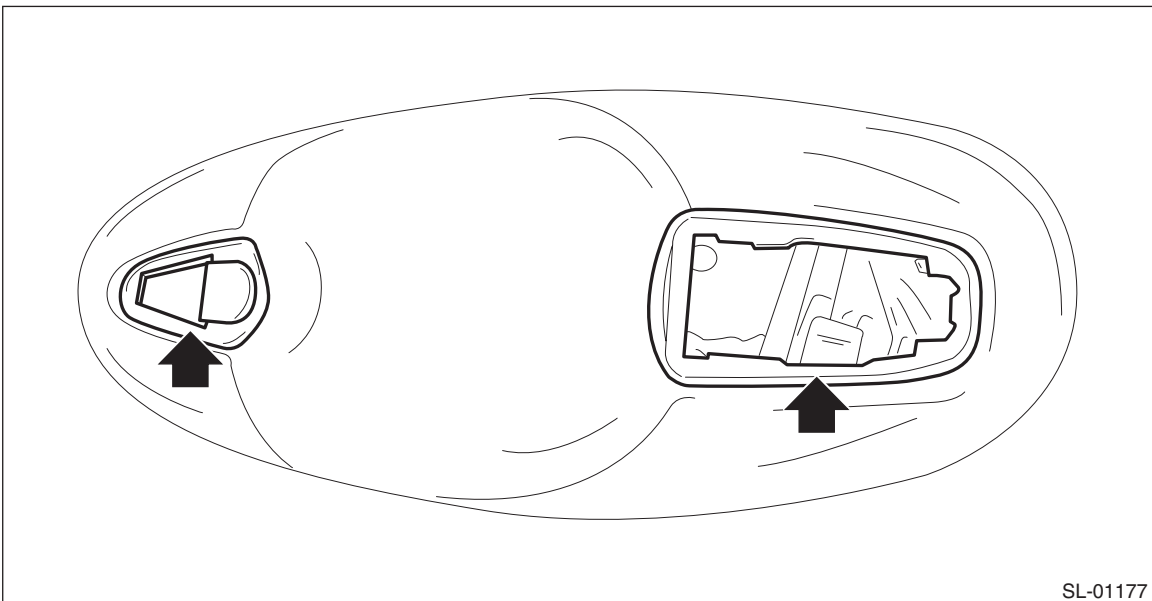
SL-01176

7) Remove the frame assembly - front door outer.

**Preparation tool:**

**TORX® T30**

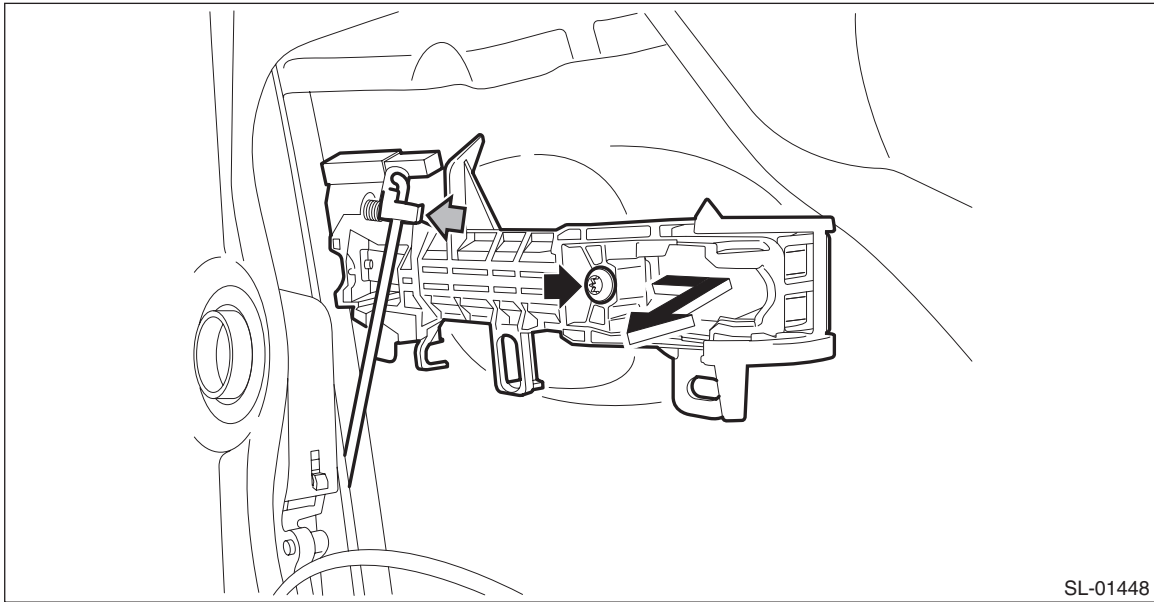
(1) Remove the spacer - door handle outer.



SL-01177

(2) Remove the rod from the rod clamp of the frame assembly - front door outer.

(3) Loosen the TORX® bolt and remove the frame assembly - front door outer from inside the panel assembly - front door.



## B: INSTALLATION

1) Before installation, check the following items.

- Rod is free from deformation.
- Grease is applied sufficiently to rod joints.

If grease is insufficient, add it as necessary before assembling the rod.

2) Install each part in the reverse order of removal.

### **Tightening torque:**

**Refer to “COMPONENT” of “General Description”. <Ref. to SL-2, DOOR LOCK ASSEMBLY, COMPONENT, General Description.>**

## C: INSPECTION

Check if the outer handle operates normally.

- If the lever is faulty, replace the handle - door outer.
- If the rod is deformed, replace the latch & actuator assembly - front.