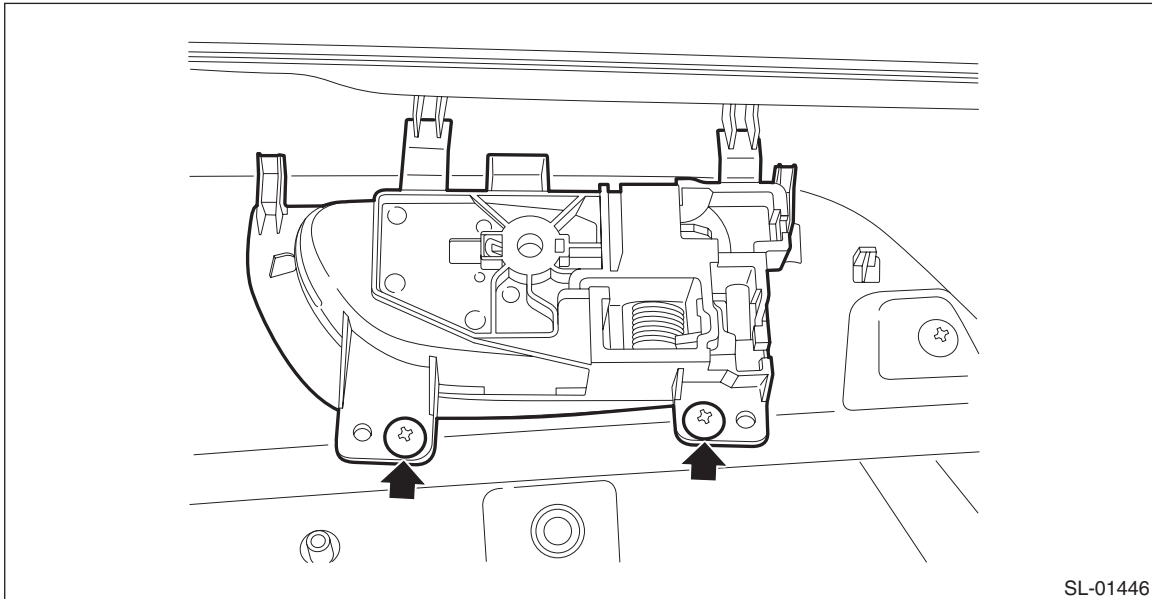


9. Rear Inner Remote

A: REMOVAL

- 1) Remove the trim panel - rear door. <Ref. to EI-62, REAR DOOR, REMOVAL, Door Trim.>
- 2) Remove the screw, and remove the remote assembly - door.



B: INSTALLATION

- 1) Before installation, check the following items.
 - Cable is free from deformation such as fray.
 - Grease is applied sufficiently to cable joints.If grease is insufficient, add it as necessary before assembling the cable.
- 2) Install each part in the reverse order of removal.

C: INSPECTION

- Check if the remote handle operates normally.
- If the lever is faulty, replace the remote handle.
 - If the cable is deformed, replace the latch & actuator assembly - rear.