

Rear Door Latch and Door Lock Actuator Assembly

SECURITY AND LOCKS

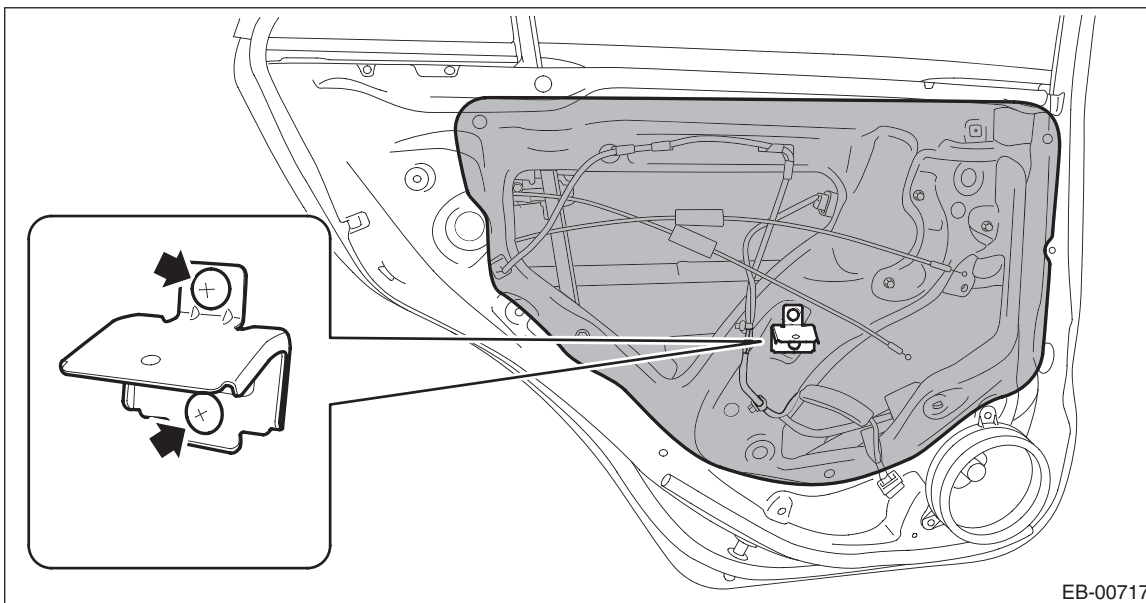
11. Rear Door Latch and Door Lock Actuator Assembly

A: REMOVAL

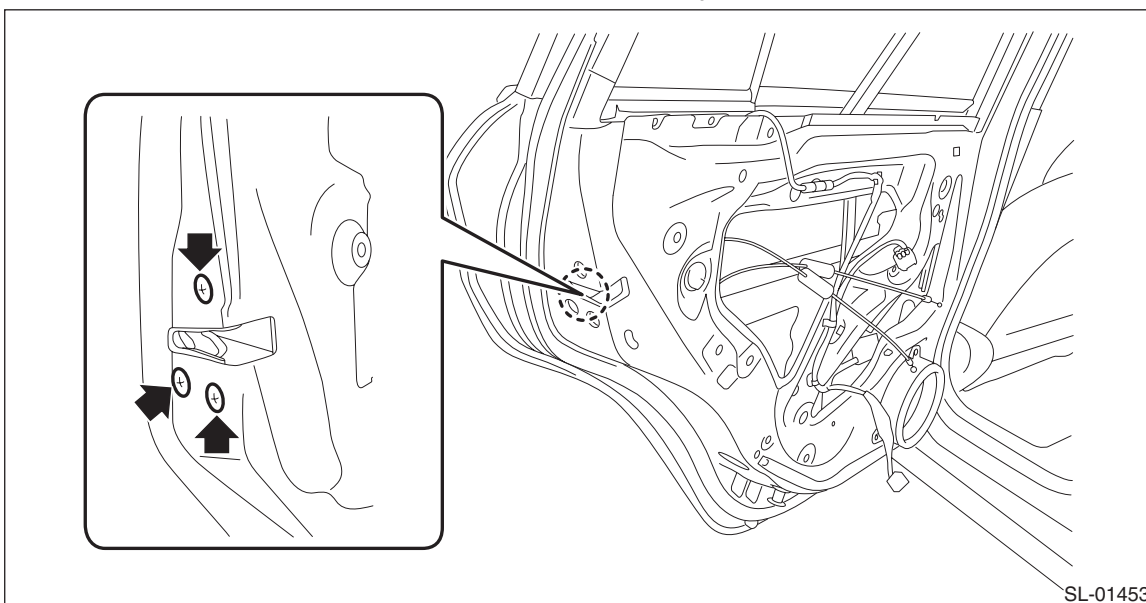
- 1) Disconnect the ground cable from battery.
- 2) Remove the trim panel - rear door. <Ref. to EI-62, REAR DOOR, REMOVAL, Door Trim.>
- 3) Remove the sealing cover - rear door.

CAUTION:

- Carefully remove the butyl tape. Excessive force will easily break the sealing cover - rear door.
- If the sealing cover - rear door gets broken, replace it with a new part.
 - (1) Remove the screw to remove the bracket - door trim rear.
 - (2) Disconnect connectors.
 - (3) Carefully remove the butyl tape to remove the sealing cover - rear door.



- 4) Remove the glass - rear window. <Ref. to GW-46, REMOVAL, Rear Window Glass.>
- 5) Remove the screws to remove the latch & actuator assembly - rear.



Rear Door Latch and Door Lock Actuator Assembly

B: INSTALLATION

1) Before installation, check the following items.

- Cable is free from deformation.
- Grease is applied sufficiently to lever joints.

If grease is insufficient, add it as necessary before assembling.

2) Install each part in the reverse order of removal.

Tightening torque:

Refer to "COMPONENT" of "General Description". <Ref. to SL-2, DOOR LOCK ASSEMBLY, COMPONENT, General Description.>

NOTE:

Make sure the child safety lock works correctly after installation.

C: INSPECTION

1. LATCH

Check if the latch operates normally.

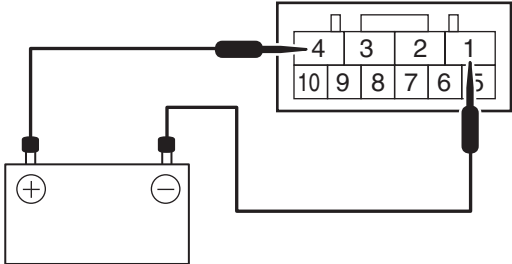
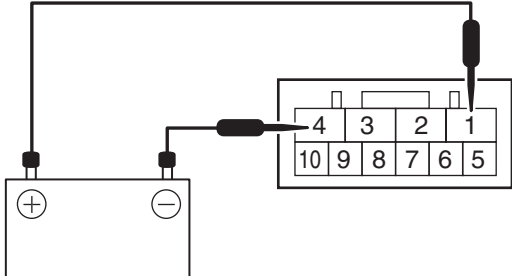
If the cable is faulty, replace the latch & actuator assembly - rear.

2. ACTUATOR

UNIT INSPECTION

1) Check door lock operation

Check the door lock operation when battery voltage is applied between the terminals of actuator.

Terminal No.	Inspection conditions	Specification	Connection diagram
4 (+) — 1 (-)	Apply battery voltage.	LOCK	 <p style="text-align: right;">SL-01474</p>
1 (+) — 4 (-)		UNLOCK	 <p style="text-align: right;">SL-01473</p>

2) If it does not operate properly as a result of inspection, replace the latch & actuator assembly - rear.