

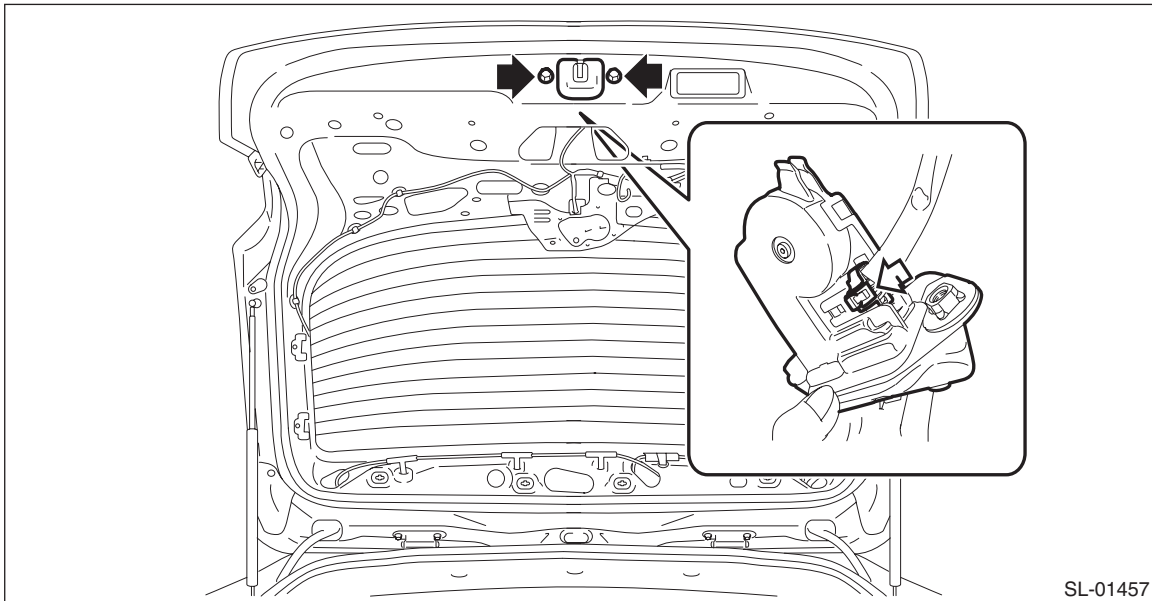
Rear Gate Latch and Actuator Assembly

SECURITY AND LOCKS

13.Rear Gate Latch and Actuator Assembly

A: REMOVAL

- 1) Disconnect the ground cable from battery.
- 2) Remove the trim panel - rear gate. <Ref. to EI-147, REMOVAL, Rear Gate Trim.>
- 3) Remove the latch and actuator - rear gate.
 - (1) Disconnect the connector.
 - (2) Remove the bolts, and remove the latch and actuator - rear gate.



B: INSTALLATION

Install each part in the reverse order of removal.

Tightening torque:

Refer to "COMPONENT" of "General Description". <Ref. to SL-3, REAR GATE LOCK AND TRUNK LID LOCK, COMPONENT, General Description.>

C: INSPECTION

1. LATCH

Check if the latch operates normally.

If latch deformation, abnormal wear, or unsmooth lock operation is observed, replace the latch and actuator - rear gate.

2. ACTUATOR

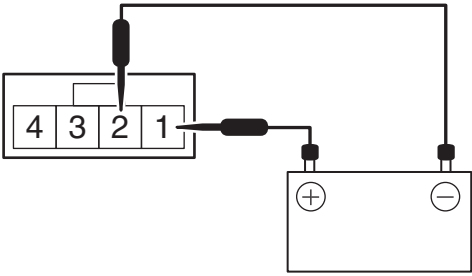
UNIT INSPECTION

PREPARATION TOOL:

Circuit tester

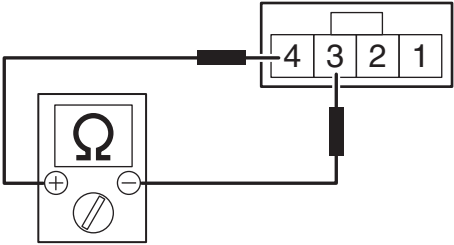
1) Check door lock operation

Check the door lock operation when battery voltage is applied between the terminals of actuator.

Terminal No.	Inspection conditions	Specification	Connection diagram
1 (+) — 2 (-)	Connect battery to the terminals	OPEN	 <p style="text-align: right;">SL-01477</p>

2) Check switch

Check the resistance between actuator terminals.

Terminal No.	Inspection conditions	Specification	Connection diagram
3 — 4	OPEN	Less than 1.5 Ω	 <p style="text-align: right;">SL-01478</p>
	CLOSE	1 MΩ or more	

3) If it does not operate properly as a result of inspection, replace the latch and actuator - rear gate.