

Front Hood Lock Assembly

SECURITY AND LOCKS

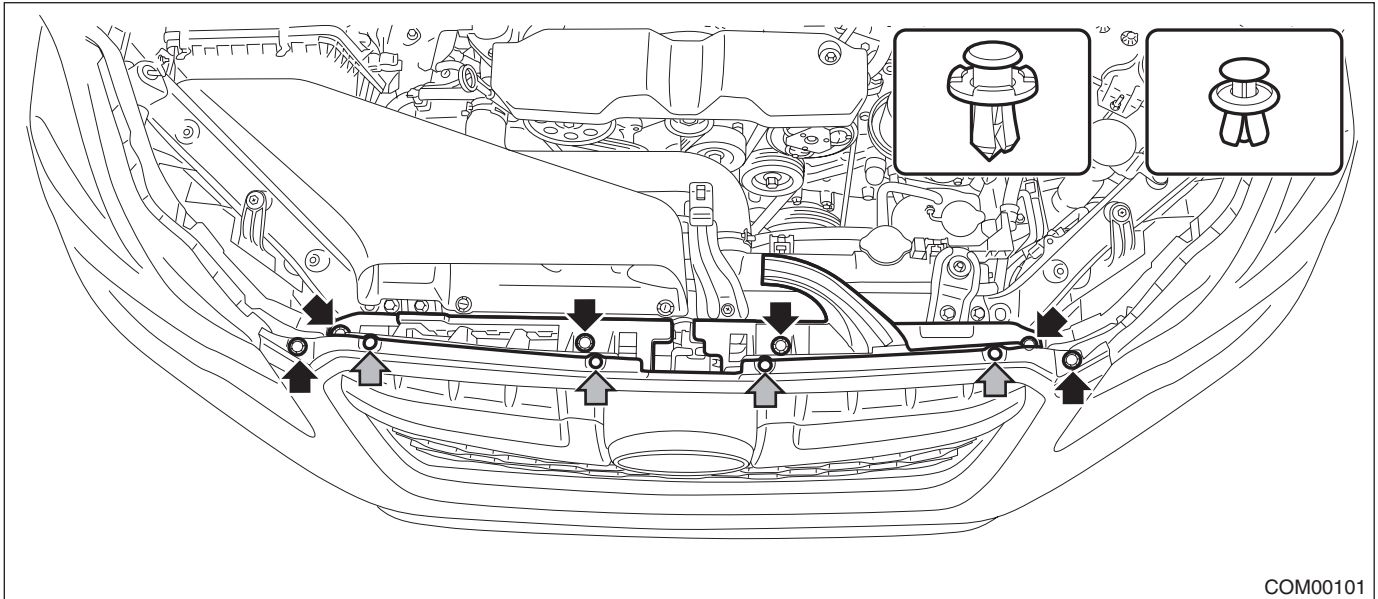
15. Front Hood Lock Assembly

A: REMOVAL

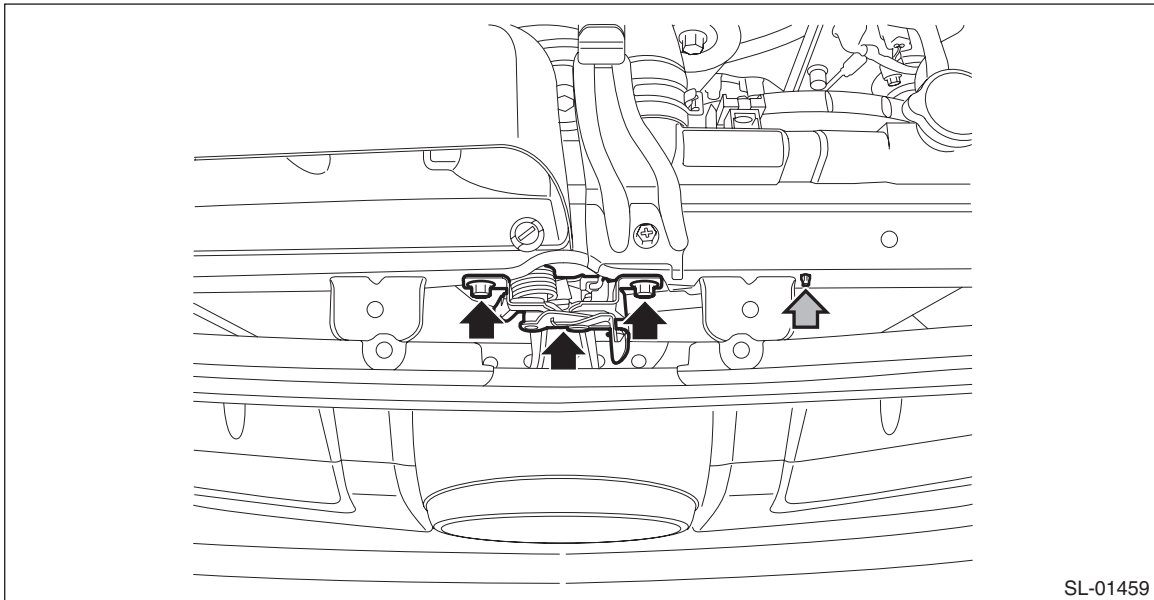
- 1) Open the front hood.
- 2) Remove the clip, and remove the bracket - grille.

NOTE:

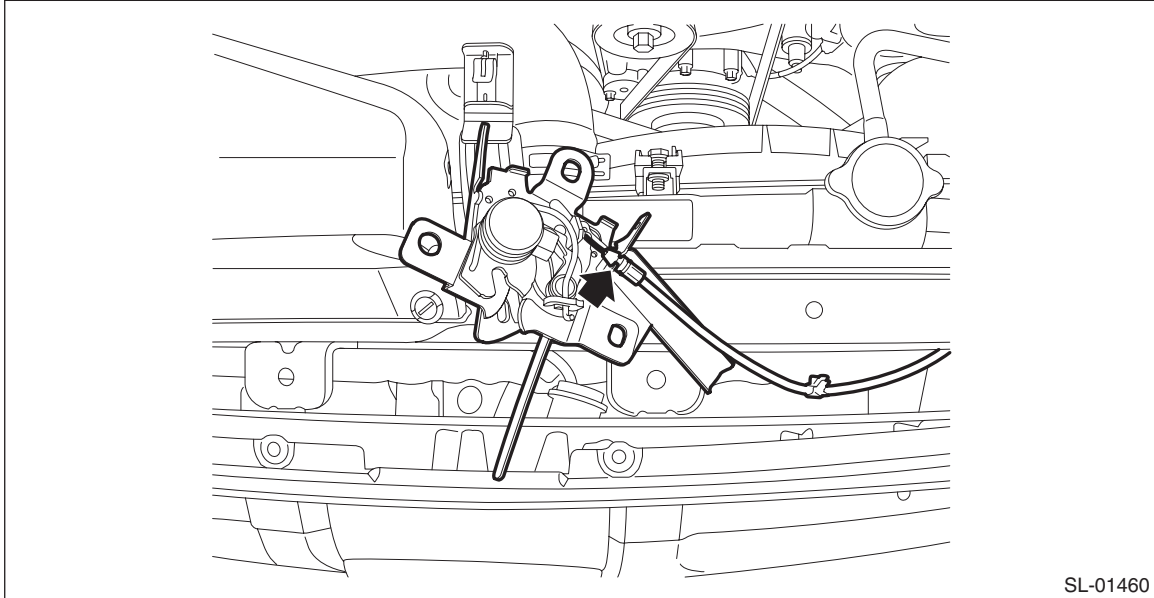
To prevent damage to the bracket - grille, make sure to remove all clips.



- 3) Remove the lock assembly - front hood.
 - (1) Remove the bolt and clip.



- (2) Disconnect the release cable, and detach the lock assembly - front hood.



NOTE:

When disconnecting the release cable, refer to “FRONT HOOD OPENER” of “Remote Openers”. <Ref. to SL-55, FRONT HOOD OPENER, REMOVAL, Remote Openers.>

B: INSTALLATION

1) Before installation, check the following items.

- Is the cable deformed?
- Grease is applied sufficiently to cable joints.

If grease is insufficient, add it as necessary before assembling the cable.

2) Install each part in the reverse order of removal.

Tightening torque:

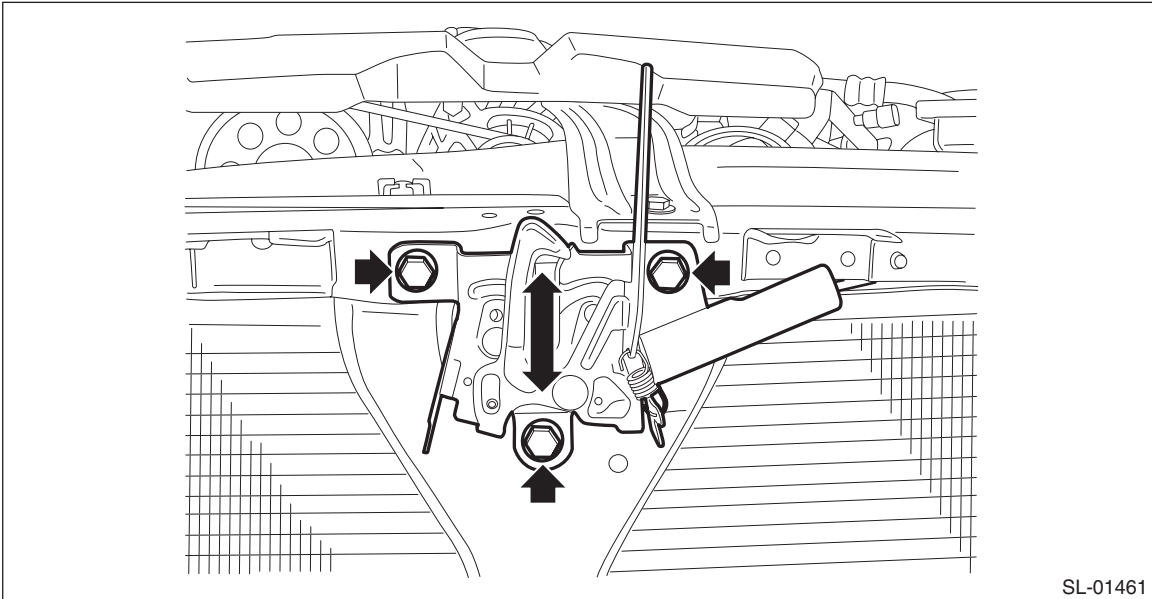
Refer to “COMPONENT” of “General Description”. <Ref. to SL-4, FRONT HOOD LOCK, COMPONENT, General Description.>

Front Hood Lock Assembly

SECURITY AND LOCKS

C: ADJUSTMENT

- 1) Loosen the bolt, and adjust the lock assembly - front hood while moving it up and down.



SL-01461

- 2) After adjustment, tighten the bolts securely.

Tightening torque:

Refer to "COMPONENT" of "General Description". <Ref. to SL-4, FRONT HOOD LOCK, COMPONENT, General Description.>

D: INSPECTION

Check if the lock assembly operates normally.

If lever deformation, abnormal wear, or unsmooth lock operation is observed, replace the lock assembly - front hood.